

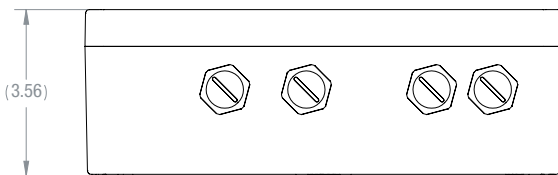
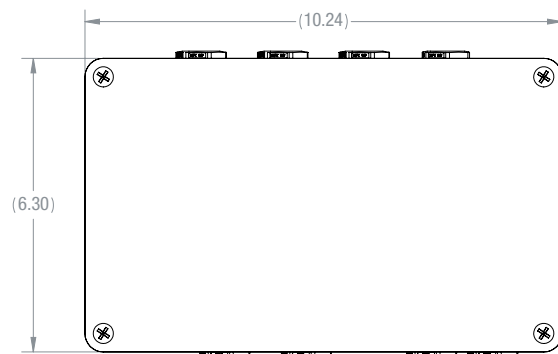


Powered by **Pathway™**

#### Specifications

Weight:	5.5lbs
---------	--------

#### DIMENSIONS



## DPI4WHYD

The DPI4WHYD, DMX/RDM Repeater/opto-splitter is an essential component of DMX distribution systems, permitting star-wiring configurations while isolating and protecting equipment from electrical faults.

#### HIGHLIGHTS

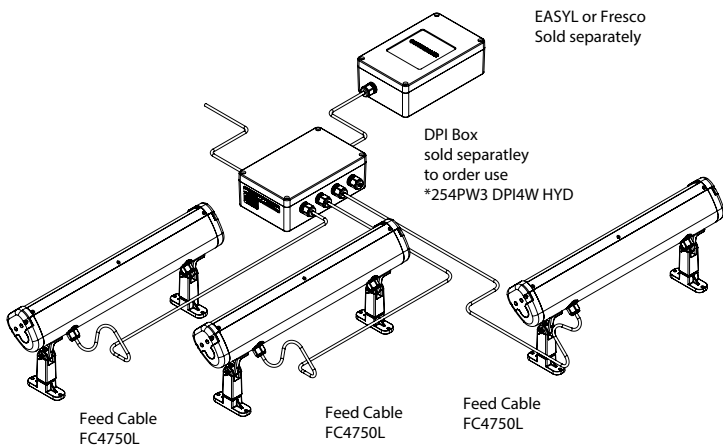
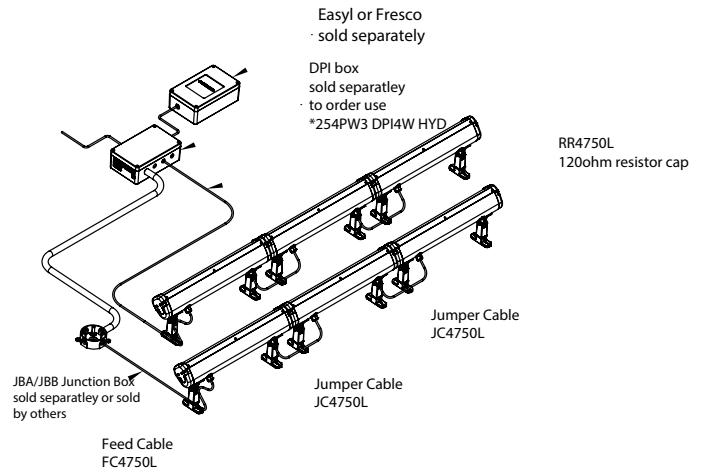
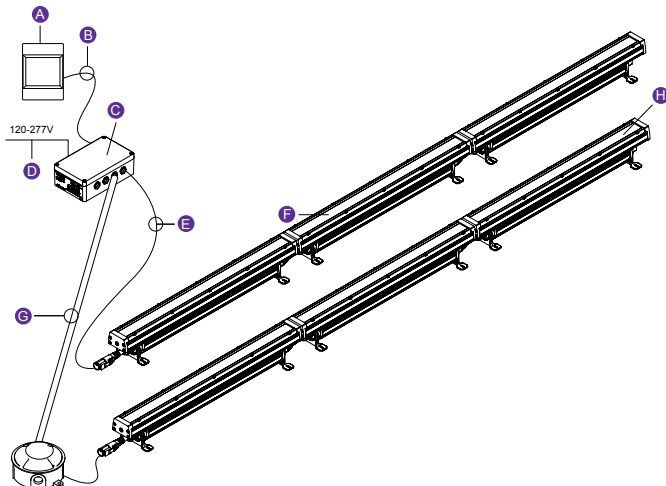
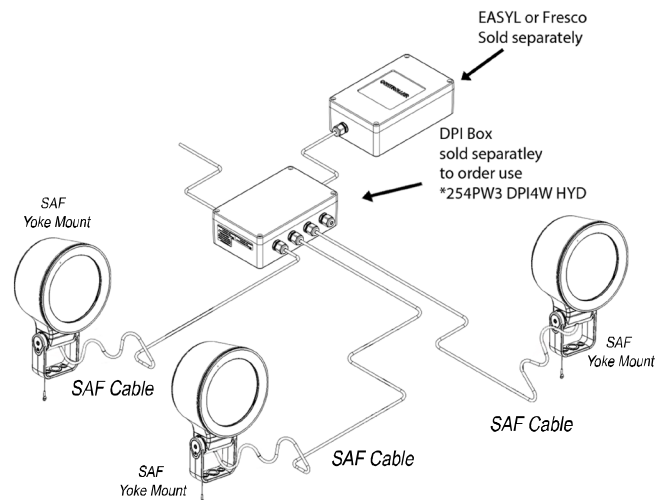
- Suitable for Wet Locations
- 4 Bi-directional DMX512/RDM Ports
- A maximum of 32 luminaires can be connected to a single output port
- The maximum length from control to last fixture to be 1000' or less per port
- No fuses - self-resetting port protection recovers from voltage faults
- Serves as a 4-channel splitter, up to 128 fixtures to be controlled from a single DPI box
- Provides necessary isolation between the DMX control and line voltage and should be used for all 4750L/4750LCR or Hyline 501/ Hycove 502 Static white, TUWH and RGBW or SAF RGBW and RGB installations



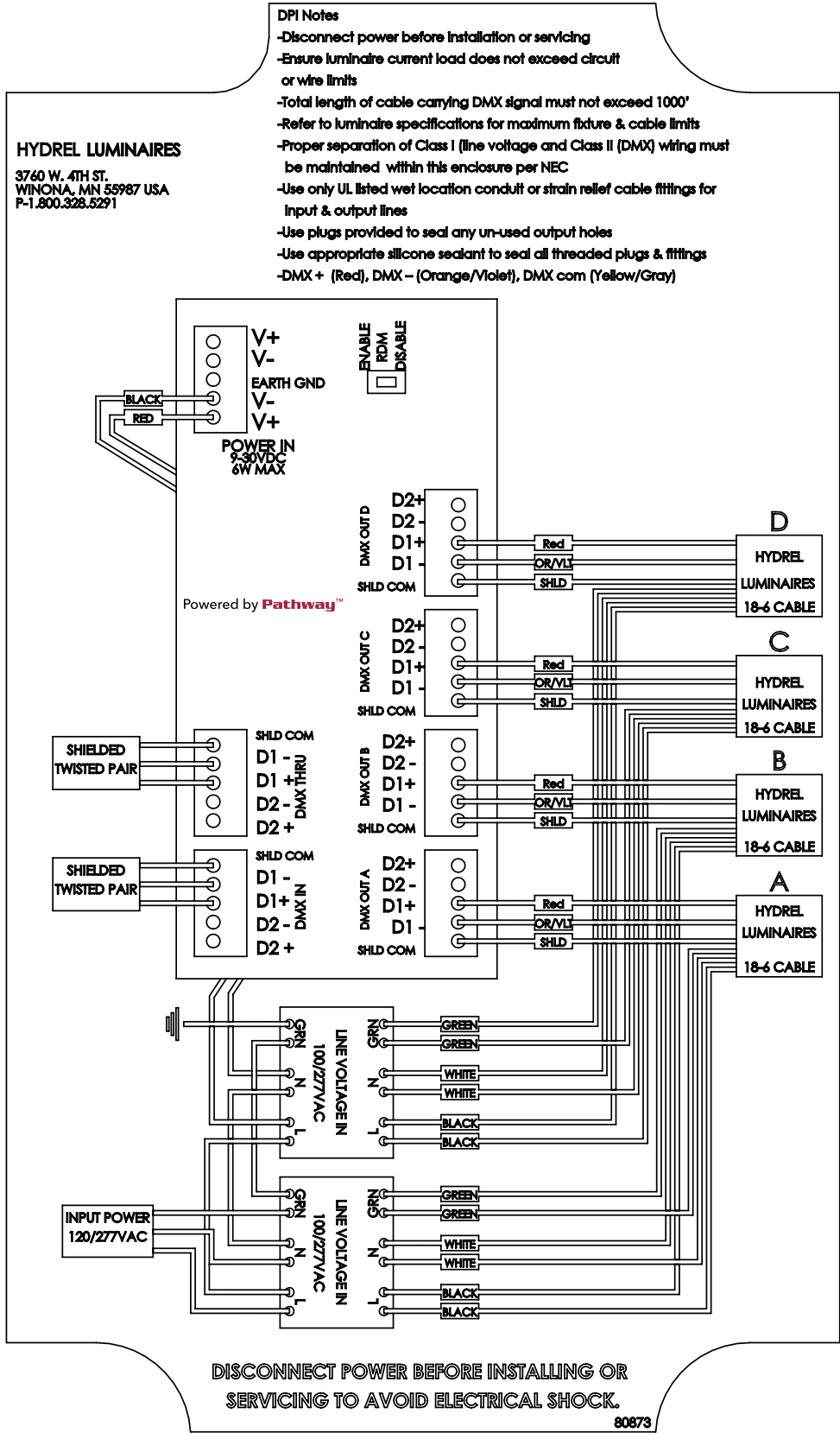
**ORDERING INFORMATION**
**EXAMPLE: DPI4WHYD**
**Model**
**DPI4WHYD** DPI box (Date Power Integration) is used to bundle DMX to line voltage and deliver them to the luminaire.

**Environmental Information**

Storage Temperature	40°F - 185°F
Start-up Temperature	13°F - 122°F
Operating Temperature	13°F - 122°F
Ingress Protection Rating	IP65
Environment	Suitable for indoor and outdoor applications

**LAYOUT FOR 4750L INDIVIDUAL RUN AND 4750LCR CONTINUOUS RUN**
**INDIVIDUAL RUN LAYOUT**

**CONTINUOUS RUN LAYOUT**

**LAYOUT FOR HYCOVE 502 AND HYLINE 501 INDIVIDUAL RUN AND CONTINUOUS RUN**

**LAYOUT FOR SAF**


**WIRING DIAGRAM**



---

## SPECIFICATIONS AND FEATURES

---

**VOLTAGE:** 120V-277V input to DPI box. Metallic conduit and standard fittings are compatible as are multi-conductor cords.

**CABLE:** Feed cable connects junction box or DPI box with first fixture in a run. 14ga. conductors carry power, shielded 18ga. conductors carry data. Input end is stripped for connection to the junction box, output end includes a female or male plug for fixture connection. Also included with each feed cable is a sealing cap for the end of each run. (Contact factory for availability of custom feed cable lengths)

**LISTING:** UL 1598

**COMPLIANCE:** ANSI E1.11 DMX512-A R2013

ANSI E1.20 RDM - Remote

Device Management

**BUY AMERICAN ACT:** This product is assembled in the USA and meets the Buy America(n) government procurement requirements under FAR, DFARS and DOT regulations. Please refer to [www.acuitybrands.com/buy-american](http://www.acuitybrands.com/buy-american) for additional information.

**WARRANTY:** 5-year limited warranty. This is the only warranty provided and no other statements in this specification sheet create any warranty of any kind. All other express and implied warranties are disclaimed. Complete warranty terms located at: [www.acuitybrands.com/support/customer-support/terms-and-conditions](http://www.acuitybrands.com/support/customer-support/terms-and-conditions)

**NOTE:** Actual performance may differ as a result of end-user environment and application. All values are design or typical values, measured under laboratory conditions at 25 °C. Specifications subject to change without notice.