



ANZZI®

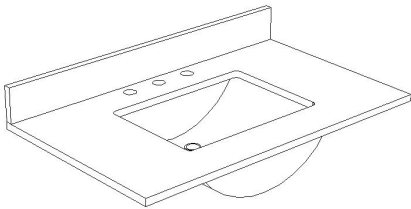
ITEM: VY-CT403622

VY-CA403622-\*\*

VY-MR003836-\*\*

ANZZI BATHROOM VANITY  
INSTALL & OPERATION MANUAL

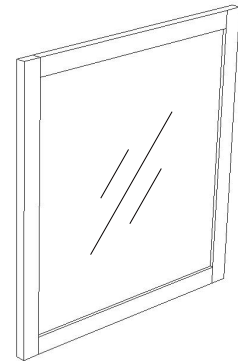
V1.0



VY-CT403622



VY-CA403622-\*\*



VY-MR003836-\*\*

**DON'T WAIT!  
REGISTER NOW!**

Register your product within 90 days to ensure your product is recognized as an official purchase and is eligible for warranty coverage.

Mail in the completed registry card (Pg. 2) or register online at [www.swcorp.com/register](http://www.swcorp.com/register).



# PRODUCT REGISTRATION\*

IMPORTANT: YOUR WARRANTY WILL NOT BE RECOGNIZED UNLESS THIS CARD IS FULLY COMPLETED AND RETURNED OR ONLINE REGISTRATION IS COMPLETED.

To ensure that your warranty is registered and confirmed please do one of the following:

- 1. Register online at [www.swcorp.com/register](http://www.swcorp.com/register).** You will be asked to fill out the same information you would in the registration card. Registering online is fast, secure and ensures we receive your information.
- 2. Complete, cut-out and mail the registration card below.** By returning this registration card we confirm the date of purchase for your new product. This confirmation will allow us to process any warranty claims.

Mail the card to: 5701 NW 35 Avenue, Miami, FL 33142



CUT ALONG DOTTED LINE.

## Product Registration Card

Name ..... Address .....

City ..... State ..... Zip .....

Phone ..... Email.....

Date of Purchase.....

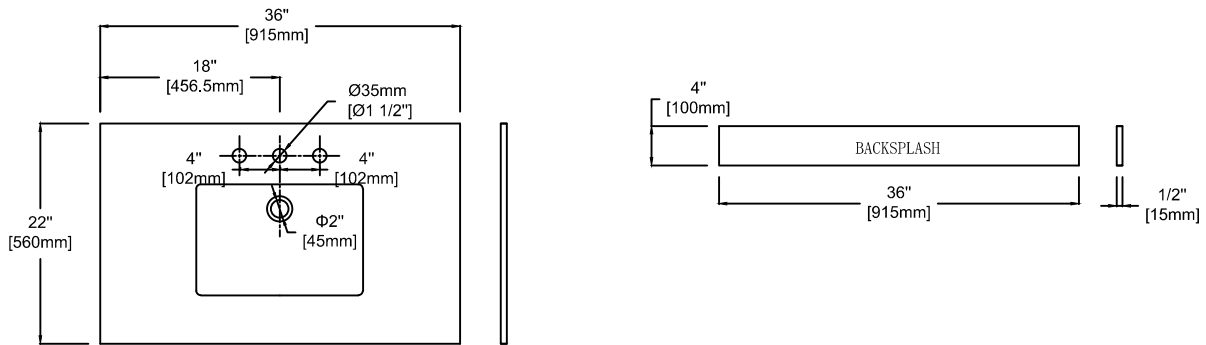
Installer's Name ..... Phone .....

I have read the Owner's Manual carefully and understand and agree that any installation, operation or maintenance of the product must be done strictly in accordance with instructions and guidelines contained in the owner's manual and installation guide.

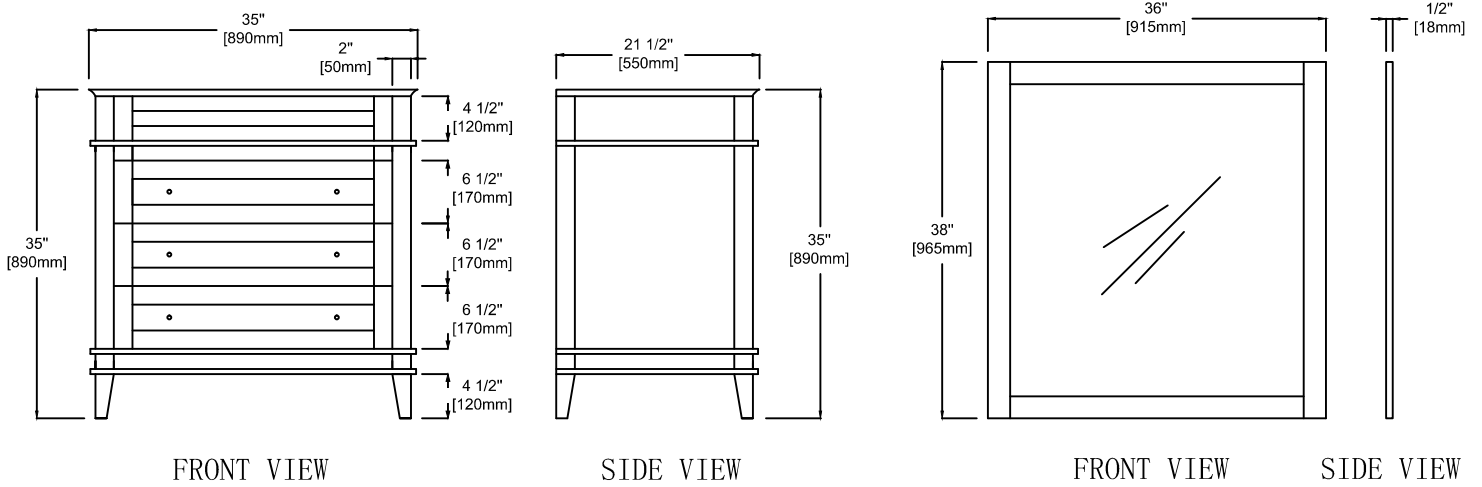
Signature \_\_\_\_\_ Date \_\_\_\_\_

Need help? For technical support call 305-614-4070 or visit us at [www.ANZZI.com](http://www.ANZZI.com)

# MEASUREMENTS



VY-CT403622

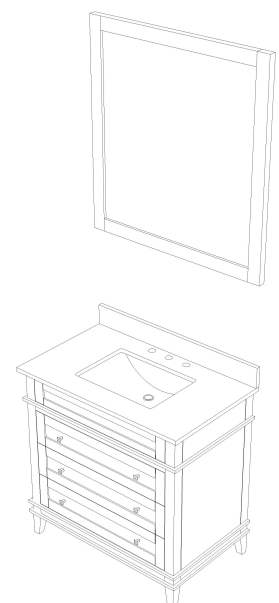
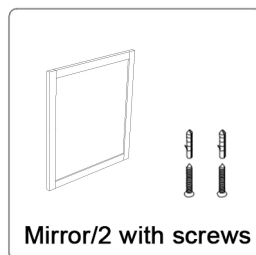
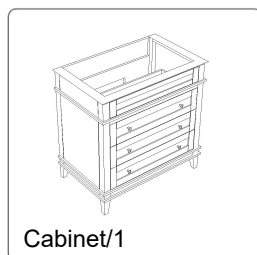


VY-CA403622-\*\*

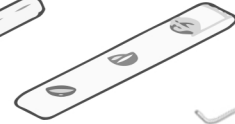
VY-MR003836-\*\*

## BEFORE YOU START

### VANITY SET INCLUDES



## TOOLS NEEDED



### CAUTION

- Please check your vanity packaging to make sure the components are in the 'Vanity Set Includes' List. If any parts are missing, please contact your local dealer immediately.
- Do not allow any sharp objects to contact with the cabinet to avoid scratching the surface.
- Continuous and prolonged exposure to direct sunlight may cause discoloration to the wood.
- Do not put any hot appliances directly on or near the cabinet.
- Do not use any cleaning products that contain bleach or ammonia.
- Wood surfaces should only be cleaned with wood care products such as soapy water or furniture polish.

### WARNING

Modifications to this product can expose you to wood dust, a substance known to the State of California to cause cancer.

- Avoid inhaling wood dust or use a dust mask or other safeguards for personal protection. If inhaled, remove to fresh air immediately.
- Avoid wood dust contact with eyes and skin. In case of contact, wash eyes and skin with clean water. If irritation persists, call a physician.
- Avoid wood dust contact with ignition source.

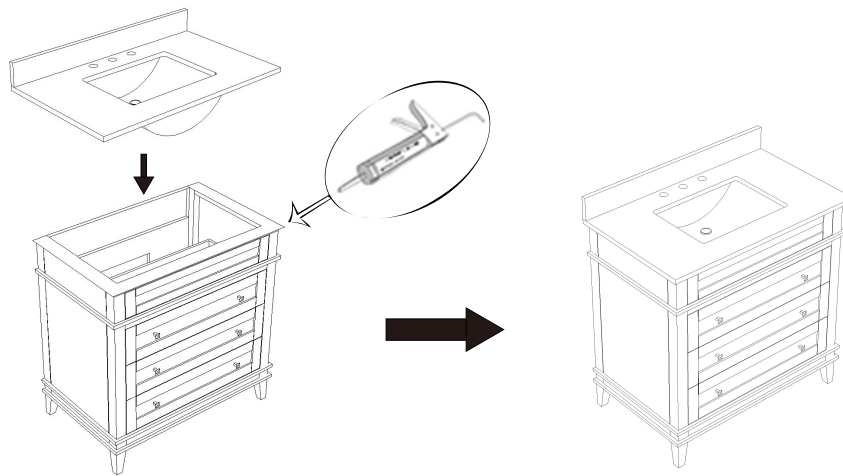
## CARE AND MAINTENANCE

It is important to properly care for vanity to increase its lifespan and preserve its appearance, follow below steps.

- Countertop  
Clean the surface with a glass cleaner or other household cleansers that are non-abrasive. Using abrasive cleansers will damage the surface.
- Cabinet  
Use non-abrasive cleaners or cleaning agents that do not contain solvents to clean the surface.
- Mirror  
Use non-abrasive cleansers only.

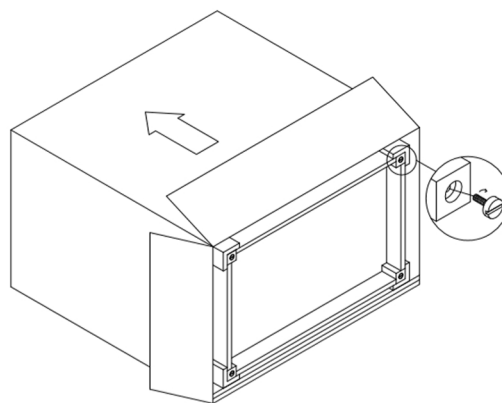
## STEP 1 | TAKE OUT THE CABINET

Take out the cabinet from the bottom of the carton. Adjust the support on the cabinet.

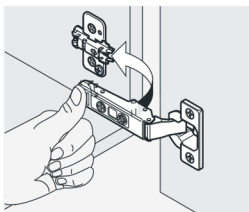


## STEP 2 | COUNTER TOP

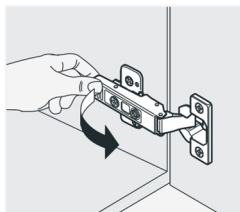
Apply appropriate silicone on the top of the cabinet and place the countertop on the cabinet.



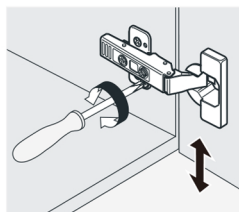
## STEP 3 | INSTALL, REMOVE, OR ADJUST INTERIOR HINGE



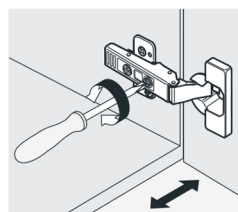
install



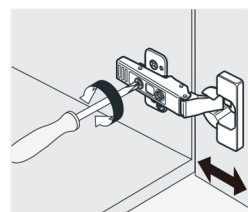
remove



adjust the height



adjust the length



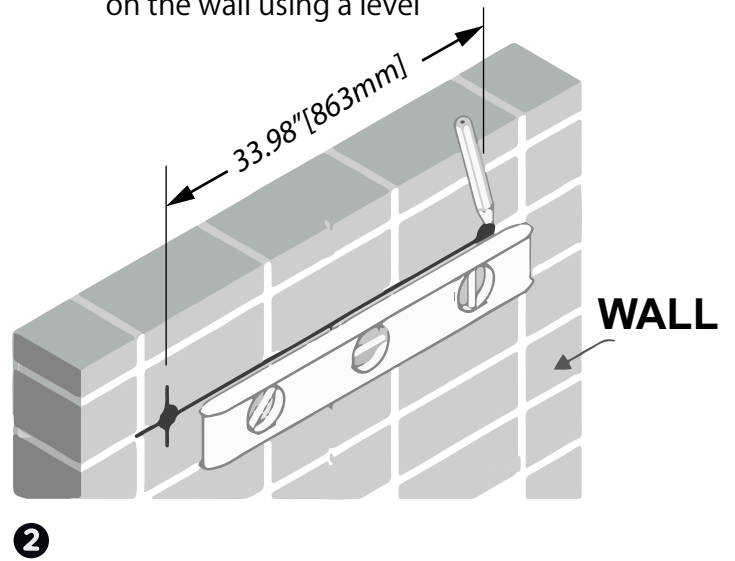
adjust the depth

# STEP 4 | MIRROR INSTALLATION

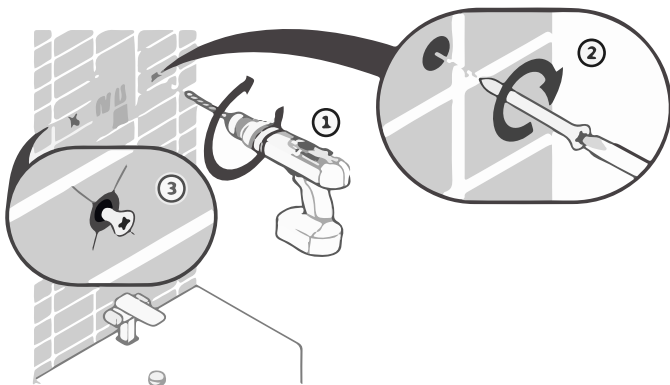
Measure the distance between the brackets on the back of the mirror



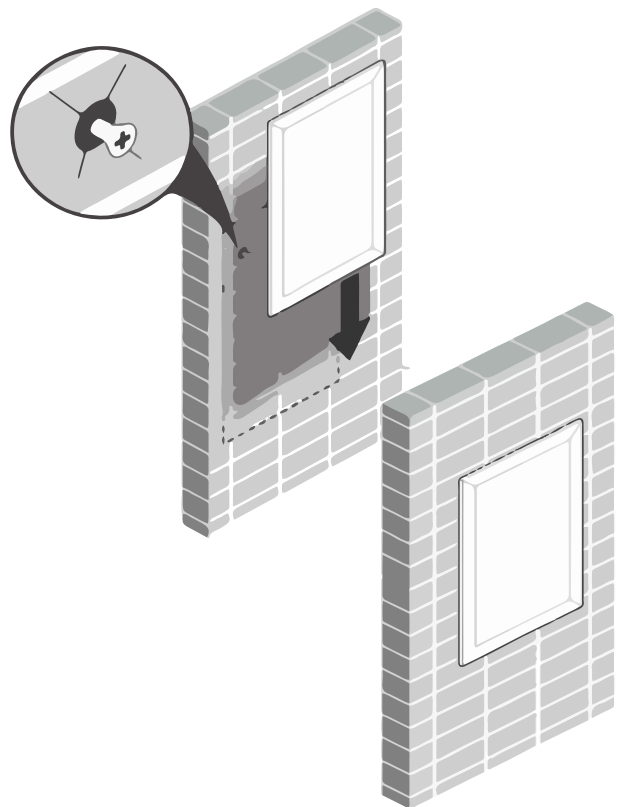
Mark the measured distance on the wall using a level



Once position is marked, drill 2 holes and insert anchors if stud is not available



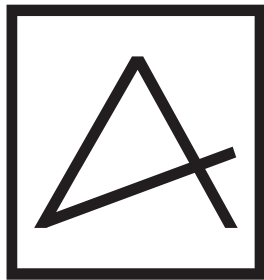
Hang the mirror on the wall



## IMPORTANT:

CONSULT AN EXPERT FOR THE PROPER SCREWS/BOLTS TO USE WHEN ATTACHING TO VARIOUS WALL CONSTRUCTIONS. SCREWS PROVIDED **DO NOT ATTACH** TO ALL WALL CONSTRUCTION TYPES.





ANZZI®