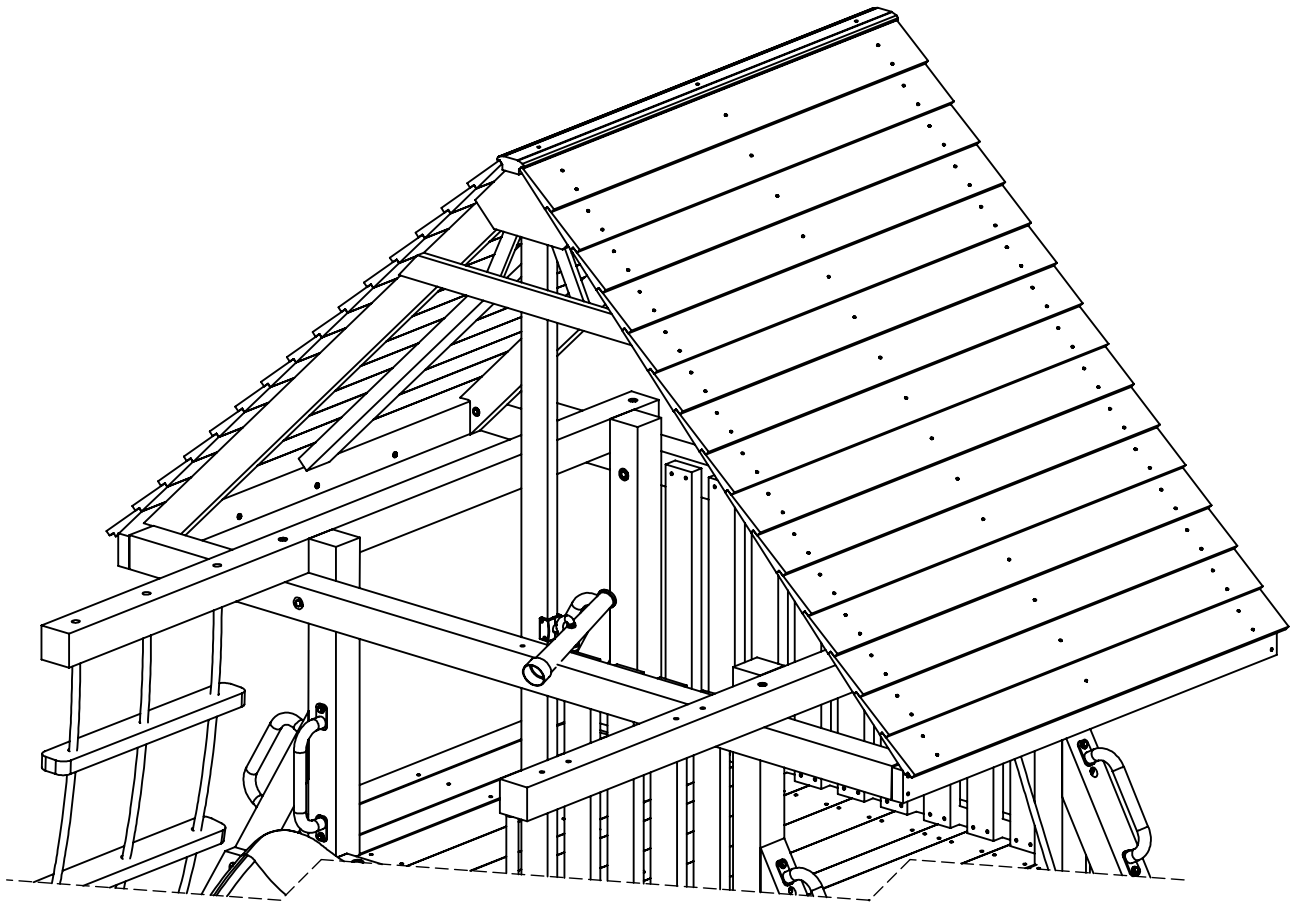


ChildLife[®]

Playsets

PG114AC1

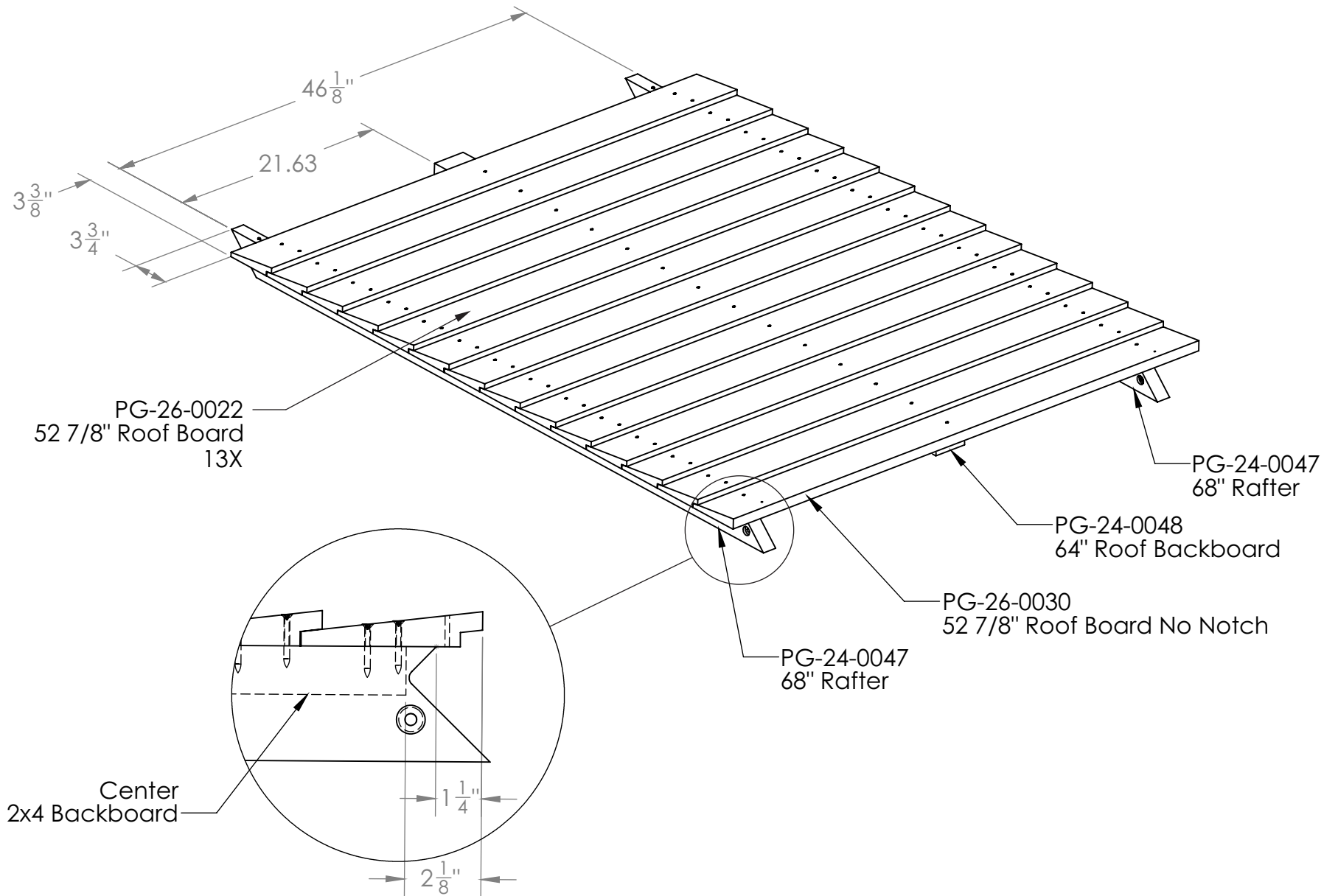
Wood Roof



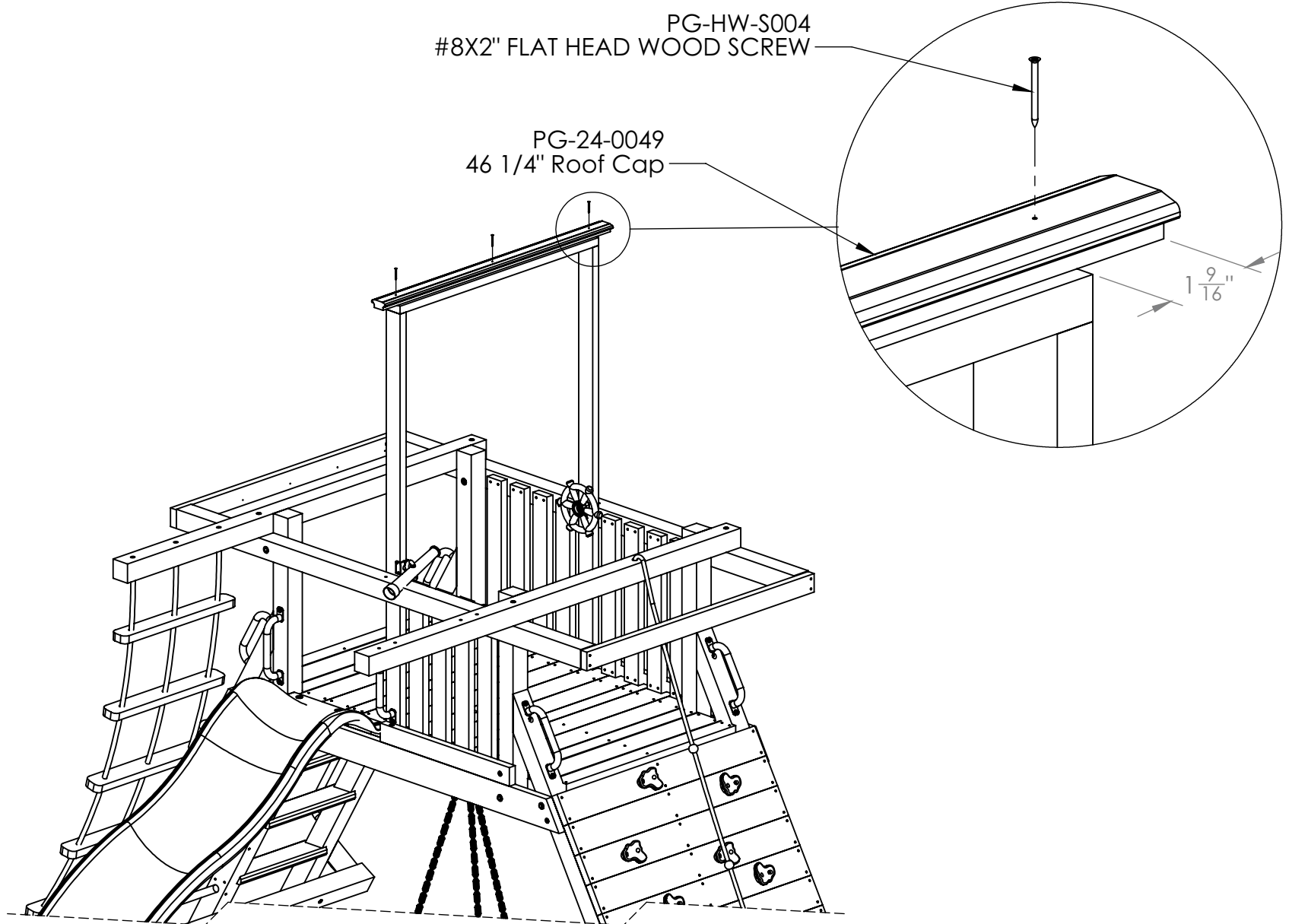
Parts List

Part No	DESCRIPTION	QTY
PG-24-0047	68" Rafter	4
PG-24-0048	64" Roof Backboard	2
PG-24-0049	46 1/4" Roof Cap	1
PG-26-0022	52 7/8" Roof Board	28
PG-26-0030	52 7/8" Roof Board No Notch	2
PG-54-0008	Roof Strap	2
PG-54-0017	Roof Triangle	2
PG-54-0018	9 1/2" Roof Decoration Outer	4
PG-HW-L004	5/16" x 3" LAG SCREW	4
PG-HW-S003	#8 X 1.5" FLAT HEAD WOOD SCREW	158
PG-HW-S004	#8X2" FLAT HEAD WOOD SCREW	15
PG-HW-S005	#8X3" FLAT HEAD WOOD SCREW	4
PG-HW-W003	5/16" FLAT WASHER	4

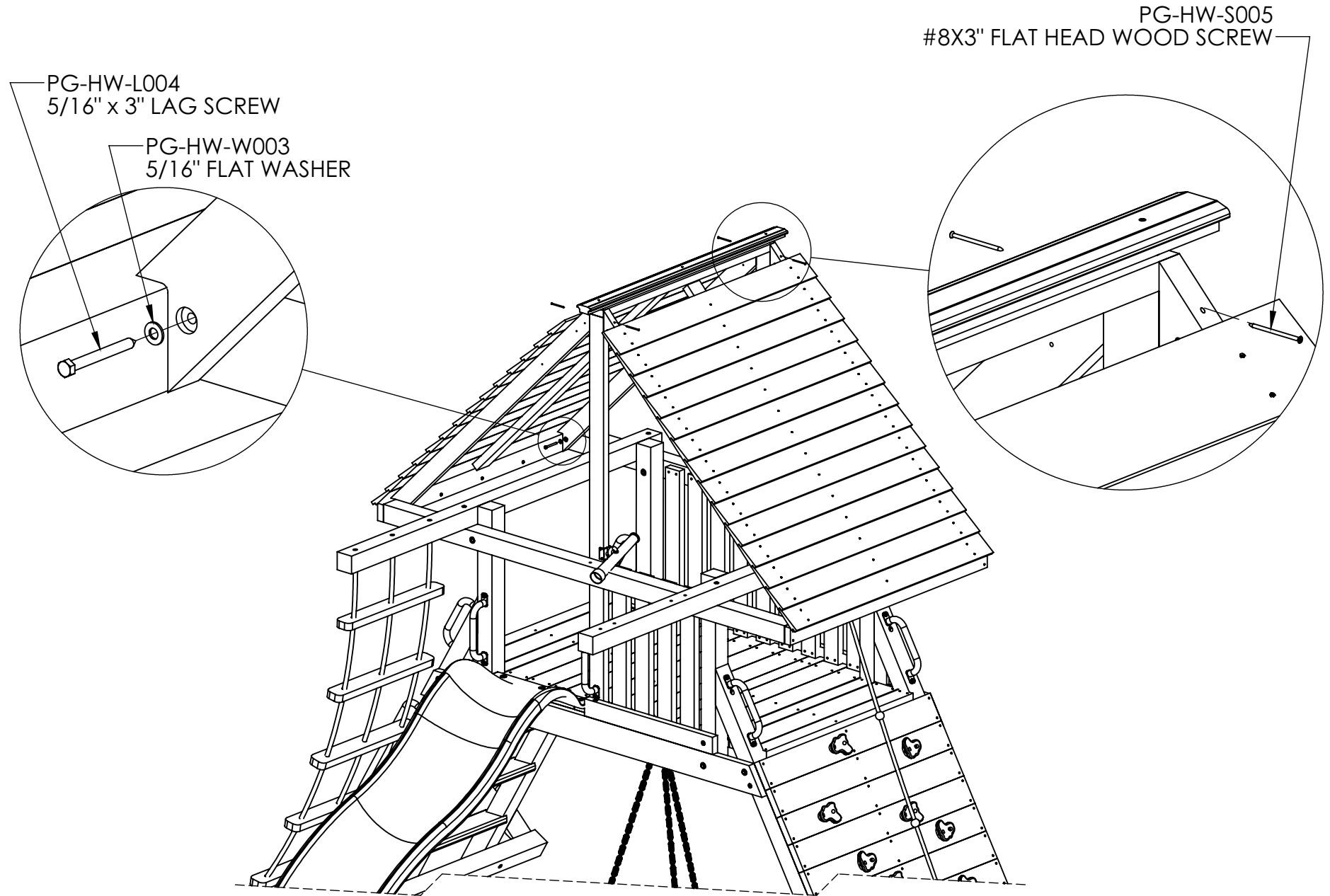
Assemble Roof Panels (2X)



Attach Roof Cap



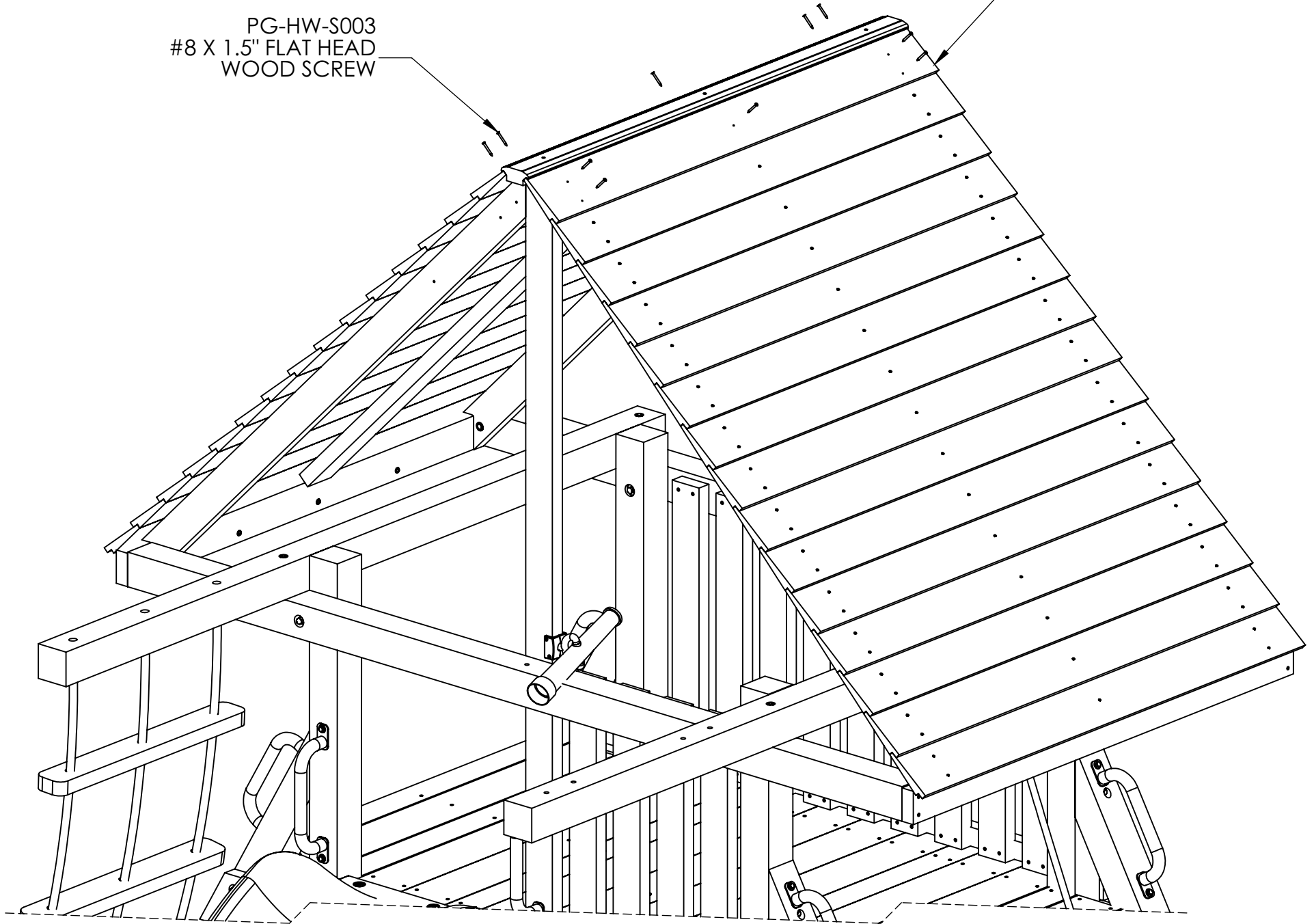
Install Roof Panels



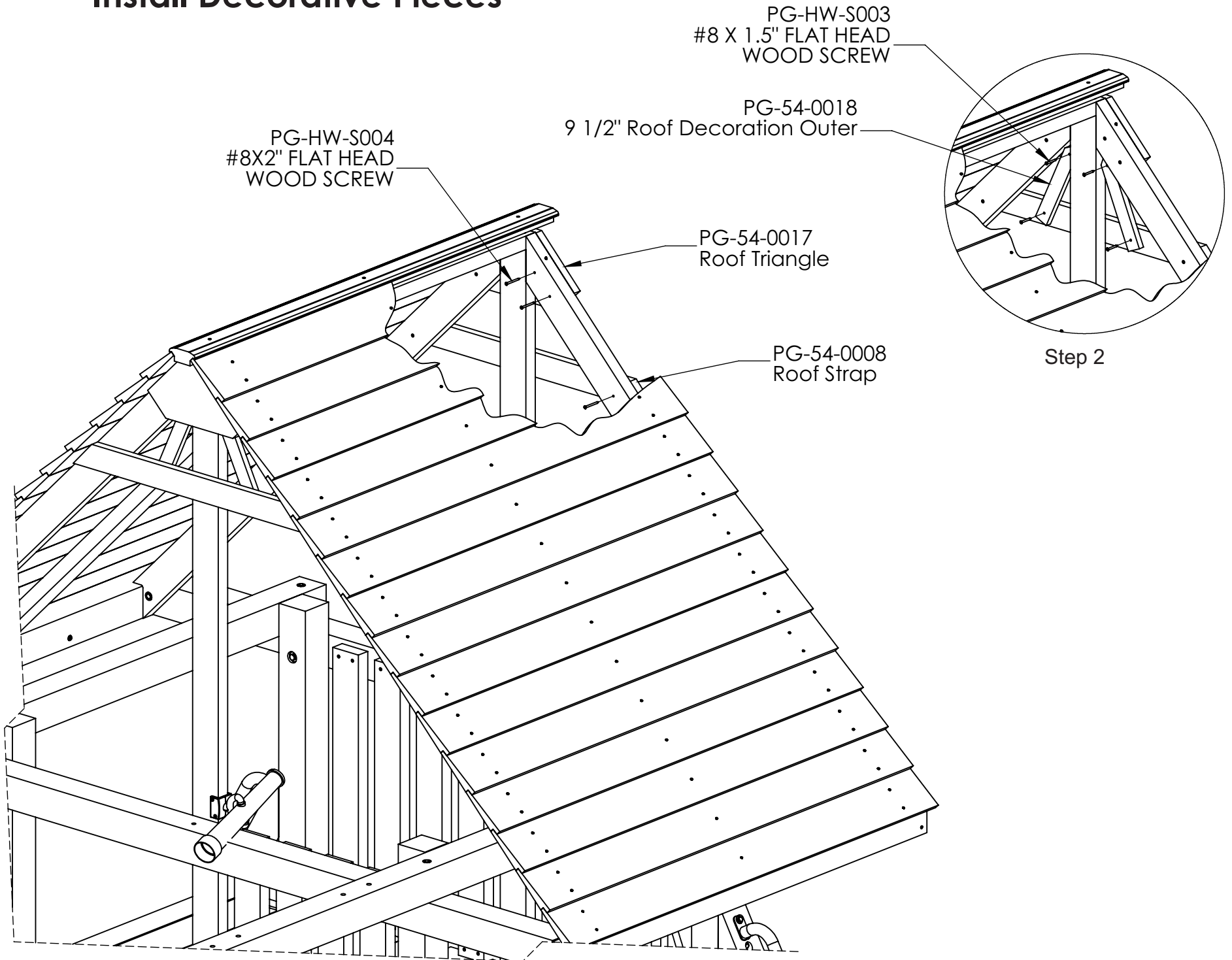
Install Top Roof Boards

PG-26-0022
52 7/8" Roof Board

PG-HW-S003
#8 X 1.5" FLAT HEAD
WOOD SCREW



Install Decorative Pieces



ChildLife[®]

Playsets

Limited Two and Ten
Year Warranties

Subject to proper installation and normal residential use, Escalade Sports warrants, subject to the limitations stated below, to the original retail purchaser, all chain, seats, swing hangers, hardware, metal braces and accessories to be free from defects in material and workmanship for a period of two years from date of purchase. In addition, Escalade Sports warrants all ropes for a period of one year. Cracks in non-functional plastic components are not considered defects in materials and workmanship if they do not affect the functionality of the playset. Merchandise covered under this limited two-year warranty will, at our option, be repaired or replaced, excluding any freight or labor fees that may be required.

In addition, for a period of ten years, which the original purchaser owns the playset, Escalade Sports warrants, to the original retail purchaser, all wooden components against structural failure due to corrosion, wood rot, or insect infestation. **Seasonal checks and surface cracks, knotholes and knots, natural characteristics of all wooden play equipment, not resulting in structural failure, are not covered under this warranty.**

Components covered under this limited ten year warranty will be replaced free of charge excluding freight and labor fees.

Non-residential use of the playset is prohibited and voids the warranty as the playsets are designed for residential use only.

Escalade Sports reserves the right to examine photographs and/or physical evidence of merchandise claimed to be defective, and to recover said merchandise, prior to disposition of warranty claims. Merchandise returned to our factory for examination or recovery must be shipped freight prepaid, unless a Return Authorization Number is issued.

No warranty is offered on equipment subjected to abuse, negligence, improper installation, vandalism, acts of God, unauthorized alteration or attachment to equipment other than our own, or improper use, service or repair by customer or any third party. Escalade Sports assumes no responsibility for incidental or consequential damages which may arise from the purchase or use of our equipment. Please supervise your children's play activity and maintain your play equipment periodically.

THIS WARRANTY IS EXPRESSLY IN LIEU OF ALL OTHER WARRANTIES, EXPRESSED OR IMPLIED, INCLUDING WARRANTIES OF MERCHANTABILITY OR FITNESS FOR USE. OASIS PLAYSETS DOES NOT ASSUME, OR AUTHORIZE ANY PERSON TO ASSUME FOR US, ANY OTHER LIABILITY IN CONNECTION WITH THE SALE OF OUR PRODUCTS.

For warranty service, contact:

**Childlife Playsets
Escalade Sports
P.O. Box 889
Evansville, IN 47706
1-800-GO-SWING**

Or E-Mail us at: playgroundcs@escaladesports.com

Revised 01/12/2011