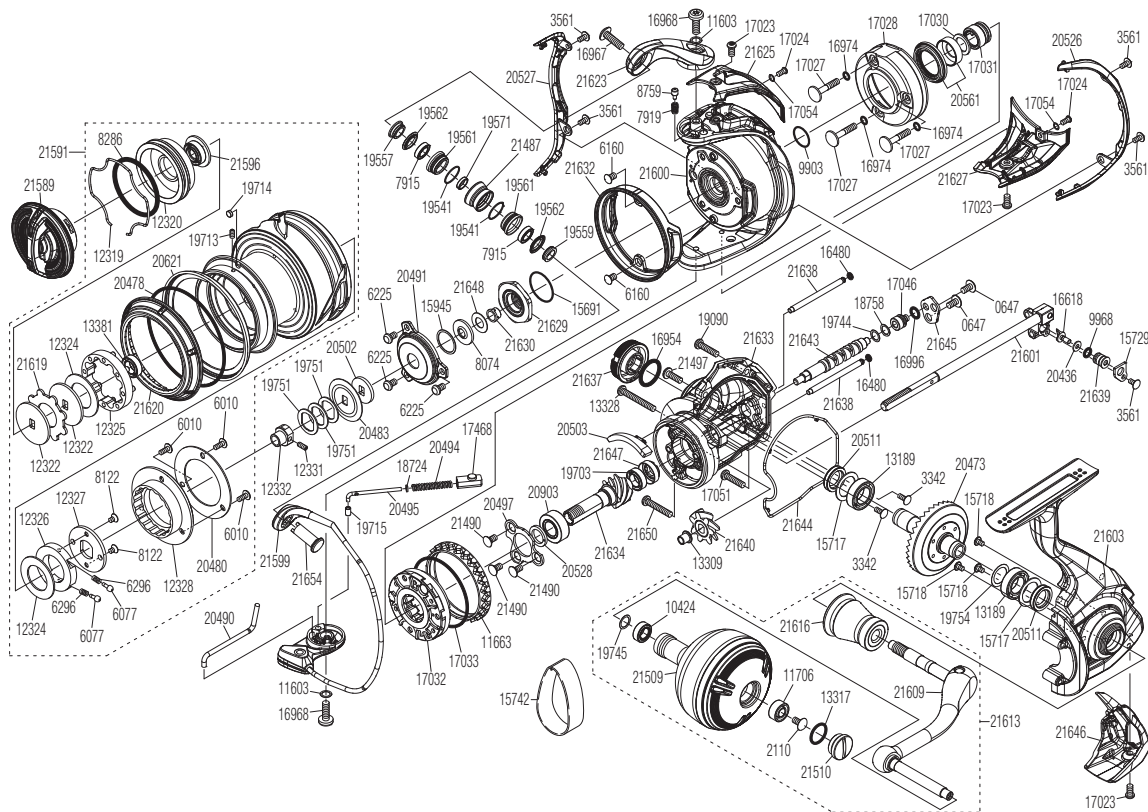


# SHIMANO

## TWIN POWER SA-RB

## TP-SW5000HG



Please note that the number of adjusting washers may not always be the same as shown in the exploded views.

(51SF41K053X)

Please note that your actions take full responsibility when you take it apart.

#	Part No.	Description	#	Part No.	Description	#	Part No.	Description
0647	10QG5	Screw	17024	10PRY	Screw	21497	10172	Screw
2110	103E9	Screw	17027	103LY	Screw	21509	10TET	Handle Knob Assembly
3342	103C0	Screw	17028	10MHC	Clutch Water Proof Cover	21510	10B2C	Handle Knob Seal
3561	10MT4	Screw	17030	10J2G	Washer	21589	10T0R	Drag Knob Assembly
6010	10MPN	Screw	17031	10667	Roller Clutch Inner	21591	1002B	Spool Assembly
6077	1035W	Drag Click	17032	10QPK	Roller Clutch Assembly	21596	10R7P	Bearing Support Assembly
6160	103H1	Screw	17033	108WZ	Clutch Cover Water Proof	21599	101W1	Bail Assembly
6225	10LZ1	Screw	17046	106M5	Bushing	21600	101LX	Rotor Assembly
6296	10JMD	Drag Click Spring	17051	10PSC	Screw	21601	101LV	Main Shaft Assembly
7915	104W1	Ball Bearing	17054	10HVD	Washer	21603	101W2	Side Cover Assembly
7919	1077Q	Click Spring	17468	10R2E	Bail Spring Guide B	21609	101W0	Handle Shank Assembly
8074	107F2	Bearing Water Proof	18724	101D9	Spring Guide A Support Collar	21613	10EDD	Handle Assembly
8122	10MGD	Screw	18758	10TK0	Washer	21616	101W3	Handle Shaft Cover Assembly
8286	108WC	O Ring	19090	100YV	Screw	21619	10ED2	Eared Washer
8759	106UX	Click Pin	19541	1015L	O Ring	21620	10ED8	Collar
9903	108WA	O Ring	19557	1016P	Line Roller Plate	21623	10289	Bail Arm
9968	108W9	O Ring	19559	1014N	Collar	21625	10T0T	Bail Spring Cover
10424	105BN	Ball Bearing	19561	1015Z	Bushing	21627	10EDF	Bail Hold Support Guard
11603	10HV3	Washer	19562	1016K	Line Roller Seal	21629	101WQ	Rotor Nut
11663	104FW	Friction Ring	19571	1014P	Collar	21630	10ED7	Spacer
11706	10KX1	Ball Bearing	19703	104JQ	Ball Bearing	21632	10ECV	Rotor Brim
12319	10B88	Retainer	19713	10PVL	Set Screw	21633	10288	Body
12320	10LWR	Bearing Bushing	19714	10EAG	Spool Ring Pin	21634	10RYT	Pinion Gear
12322	10B9Z	Key Washer	19715	10R2F	Spring Guide A Support Collar B	21637	101MC	Handle Screw Cap
12324	1031R	Drag Washer	19744	100XZ	Washer	21638	10ECZ	Oscillating Guide
12325	10AHH	Insert	19745	104FH	Washer	21639	10R8T	Collar
12326	10JJU	Click Key Guide	19751	101DN	Spool Washer	21640	10RYU	Idle Gear
12327	109HE	Click Key Washer	19754	10DKJ	Washer	21643	10T0S	Worm Shaft
12328	10C1J	Drag Cover	20436	100CW	Washer	21644	10ED1	Body Seal
12331	10PRL	Set Screw	20473	1028J	Drive Gear Assembly	21645	101MM	Worm Shaft Retainer
12332	10LTL	Bearing Bushing	20478	1028L	O Ring	21646	101WD	Rear Protector
13189	104PT	Ball Bearing	20480	101N7	Drag Cover ID Plate	21647	10RYV	Bushing
13309	106E8	Bushing	20483	10RBU	Spool Bearing Water Proof	21648	101ML	Washer
13317	10LAB	O Ring	20490	101NG	Bail Trip Lever	21650	10T0U	Screw
13328	10M6H	Screw	20491	101P2	Retainer	21654	10R8V	Line Roller Support
13381	104JT	Ball Bearing	20494	1028M	Bail Spring			
15691	108WF	O Ring	20495	101N5	Bail Spring Guide A			
15717	10BGE	Washer	20497	101NN	Bearing Retainer			
15718	1055G	Screw	20502	1018N	Spool Support			
15729	10HAF	Oscillating Pawl Cover	20503	101NL	Bail Trip Strike			
15945	10G8C	Washer	20511	101NM	Bearing Water Proof			
16480	10JAB	O Ring	20526	10E39	Rotor Guard A			
16618	106VM	Oscillating Pawl	20527	10E3G	Rotor Guard B			
16954	10909	O Ring	20528	1028S	Washer			
16967	10PVR	Screw	20561	10RR7	Roller Clutch Waterproof Assembly			
16968	10PSH	Screw	20621	101NE	Spool Ring			
16974	10LAD	O Ring	20903	101WE	Ball Bearing			
16996	10TNF	O Ring	21487	10S55	Line Roller			
17023	10PS0	Screw	21490	10MLD	Screw	15742	109UV	Belt (S) (accessory)