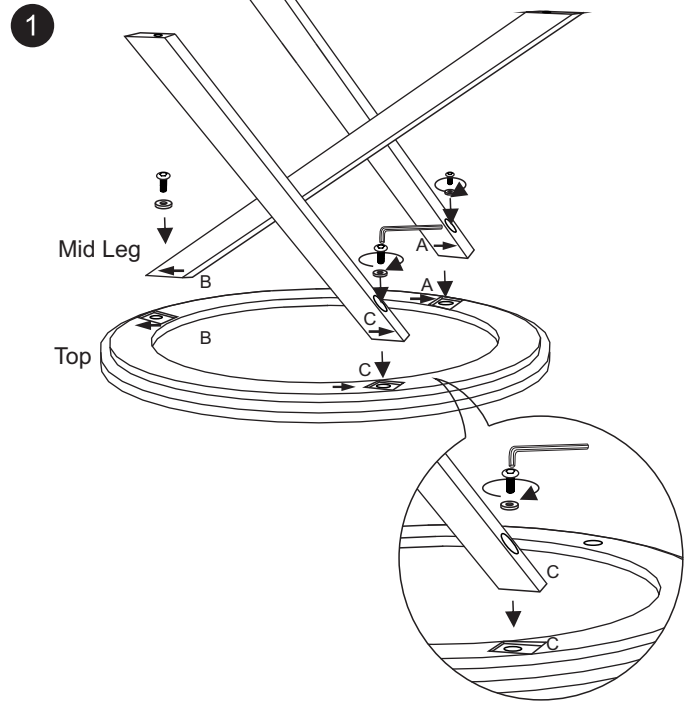
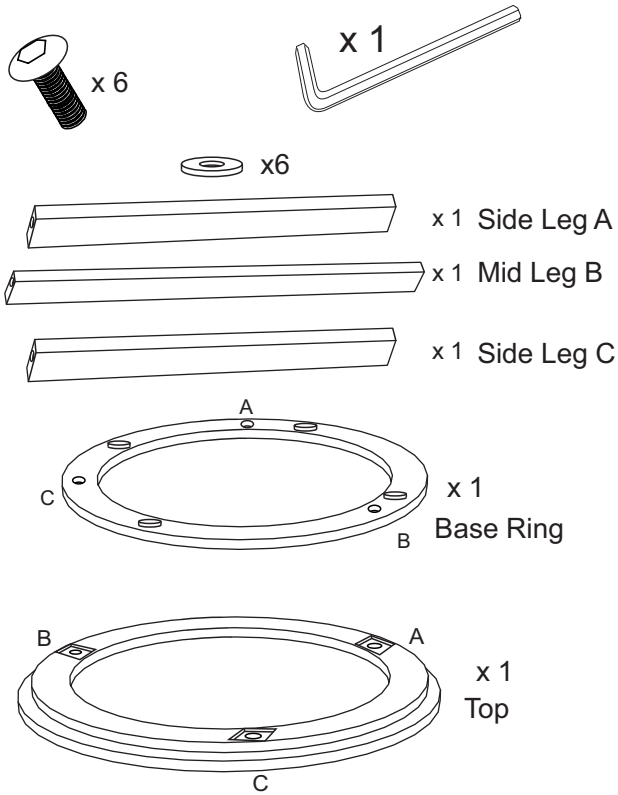
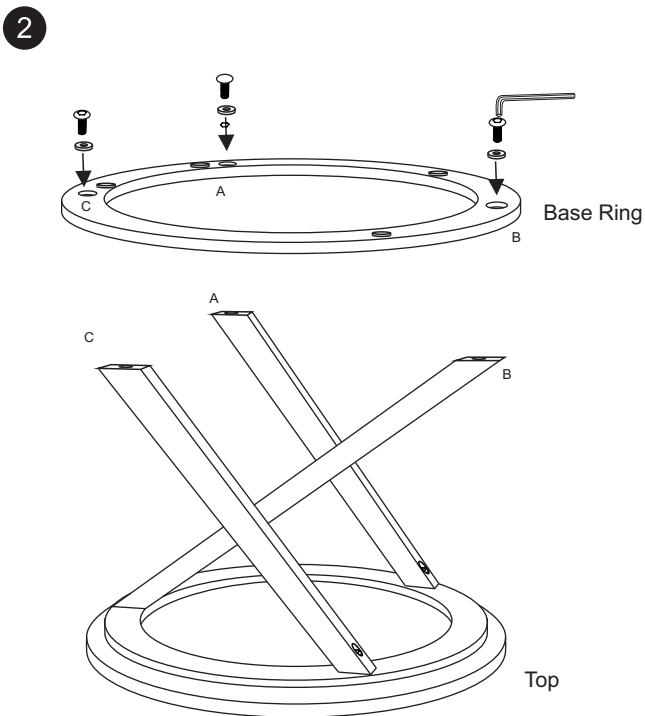


# Assembly Instructions Aja Coffee Table

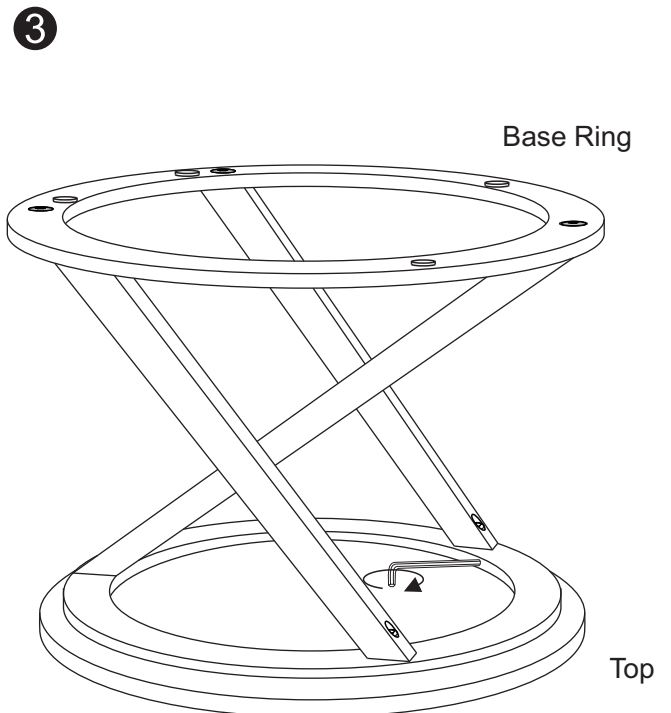
## Components & Hardware List



Keep the top ring on clean surface with assembly showing upwards. Following the direction arrows marked on ring and legs, place the legs (A,B,C) with corresponding grooves marked (A,B,C) on the ring. Secure the legs with help of allen Screws. Fasten all screws partially.

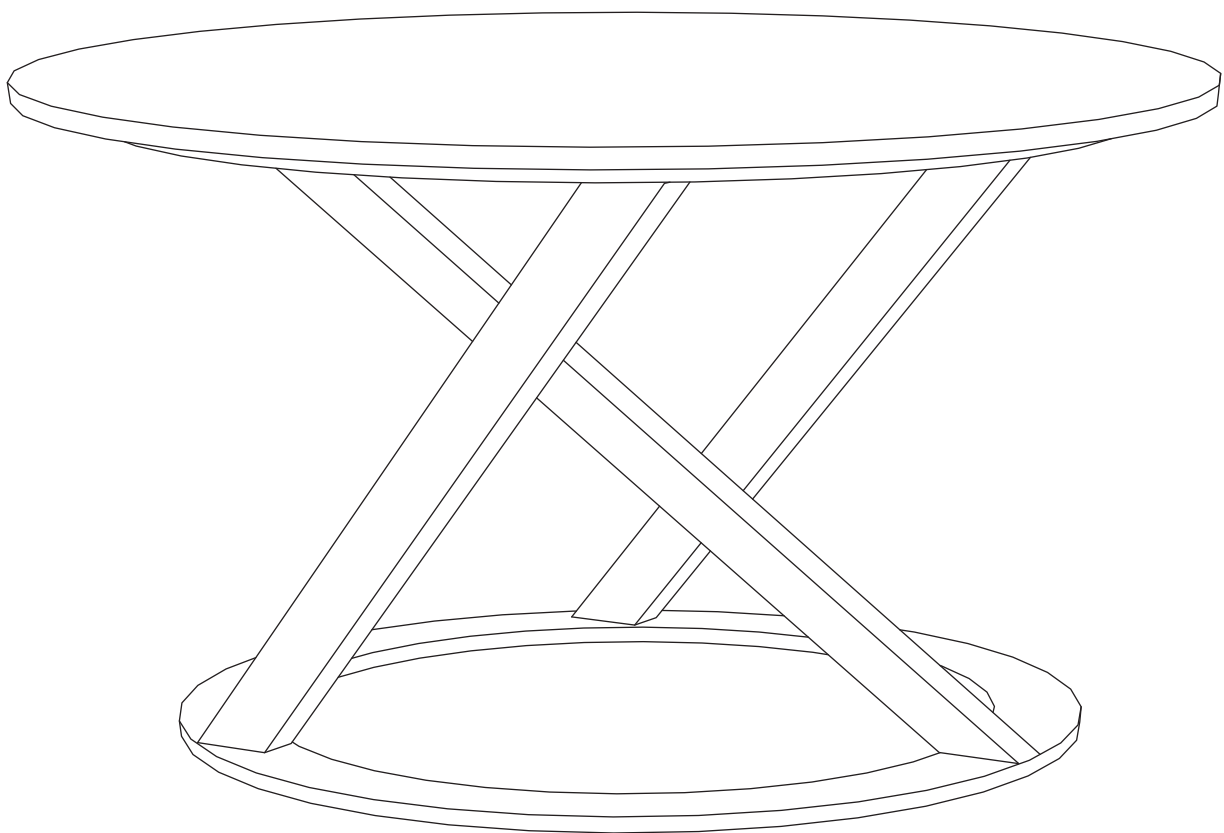


Align the holes of leg to the holes of base ring and insert the allen screws. Fasten all the screws fully.



Now fully tighten up top ring screws which was fasten up partially in step 1. Flip the table, adjust the leveler if needed.

Note: In this assembly process, help of two persons is recommended.



Assembled View

---