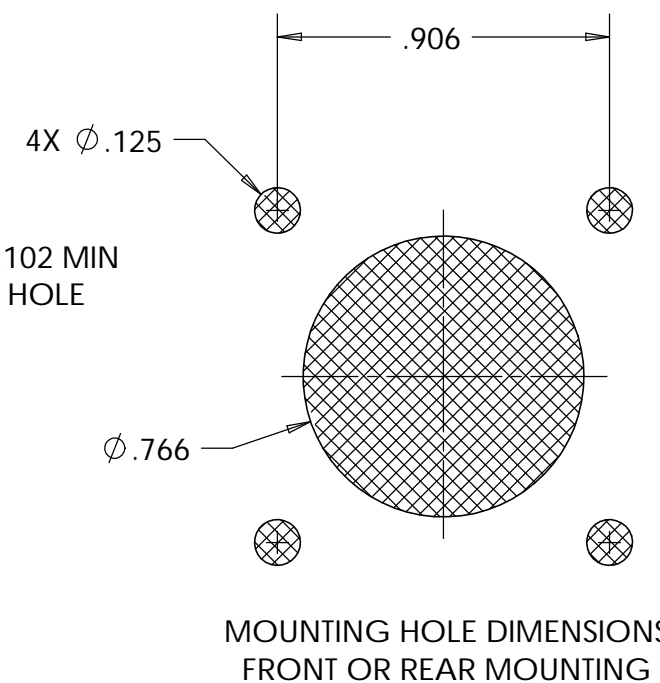
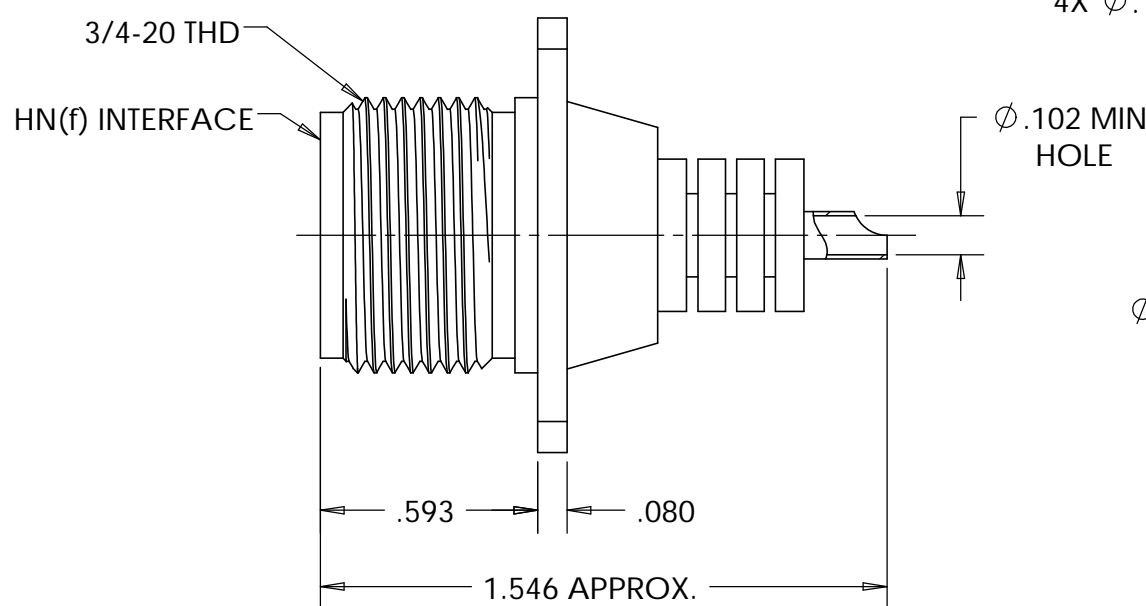
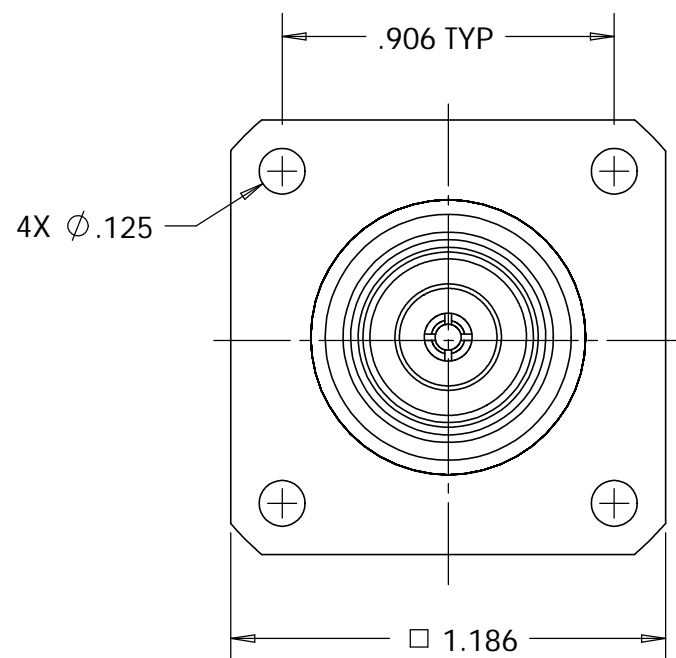


This document, including the design, configuration and mechanical features revealed herein are the sole, confidential and proprietary property of TRU Corporation. Reproduction or use thereof, in whole or part, is prohibited without the prior written consent of TRU Corporation.

REV.	DESCRIPTION	DATE	APPROVED
-	ORIGINAL ISSUE	3/19/97	RMK
A	CHANGED PER ECO 1587	4/24/01	AM
B	CHANGED PER ECO 2631	8/9/04	DA
C	CHANGED PER ECO 2963	5/25/06	DA


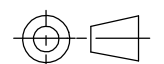


MOUNTING HOLE DIMENSIONS
FRONT OR REAR MOUNTING

ENGINEERING DATA

MATERIAL:
INSULATOR: TEFLON
CONTACT: BERYLLIUM COPPER
OTHER METAL PARTS: BRASS

FINISH:
CONTACT: SILVER PLATED
OTHER METAL PARTS: NICKEL PLATED

MATERIAL	DO NOT SCALE DRAWING	DRAWN Warren Whitten	DATE 3/19/97	 TRU CORPORATION 245 LYNNFIELD STREET, PEABODY, MA 01960 The Custom Interconnect Leader™
	UNLESS OTHERWISE SPECIFIED: DIMENSIONS ARE IN INCHES	ENG APPR. RMK	DATE 3/19/97	
COMMENTS:	TOLERANCES: FRACTIONS: ±1/64 .XX : ±.01 .XXX: ±.005 ANGLES: ±1/2°	MFG APPR.	DATE	TITLE: CONNECTOR, COAXIAL, RF HN(f) RECEPTACLE, PANEL
	MACHINED SURFACES: 63/	OTHER APPR.	DATE	
surface area: sq inch	weight: lbs	THIRD ANGLE PROJECTION 		SIZE B DWG. NO. TRU-2117-SNT REV C
		CAGE CODE: 92180		SCALE: 2:1 SHEET 1 OF 1