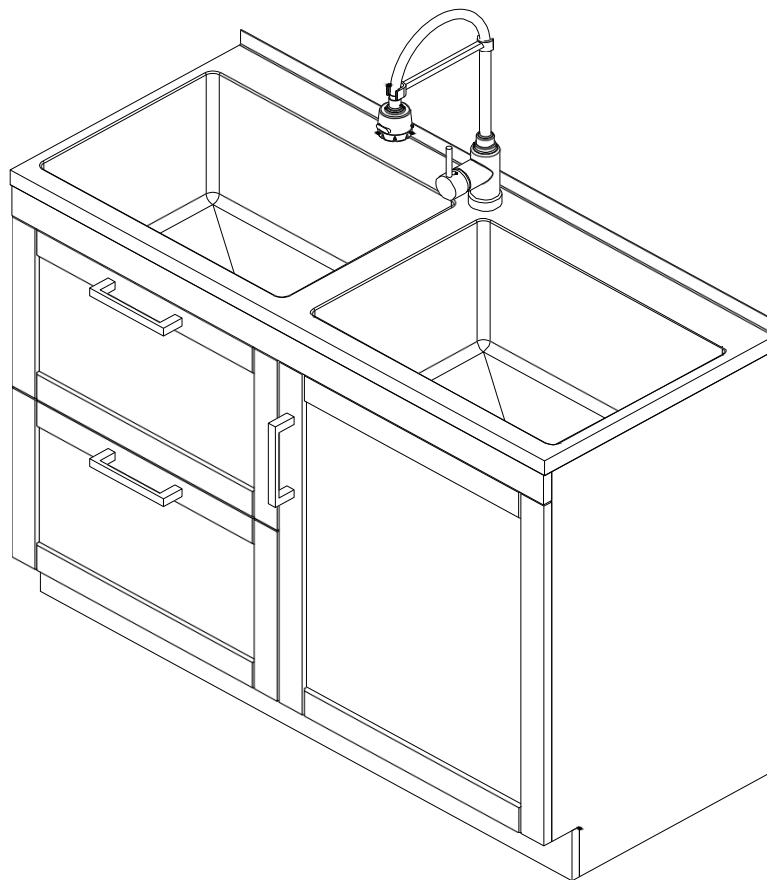


SIMPLIHOME®

Hennessy / Hartland / Corbett

Deluxe 46 inch Laundry Cabinet with Faucet and Dual SS Sink

Model # AXCLDYHEN46-SS



brooklyn + max™

WyndenHall™
HOME DECOR

SIMPLIHOME®

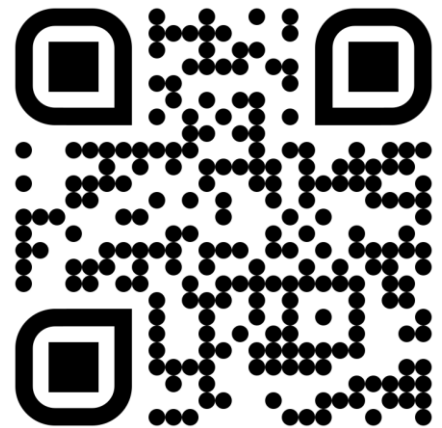
Great quality is a right.

Thank you for shopping with Simpli Home,
America's top brand for high-value furniture.



It's time to register your product warranty.

It's quick and easy. And you'll be happy you did.



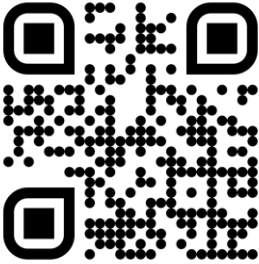
- ✓ Activate your **1-year** warranty.
- ✓ Automatic entry to win a **\$500** gift certificate.
- ✓ Earn instant rewards and **save**.

simpli-home.com/product-registration

SIMPLIHOME®

Review your product and collect rewards!

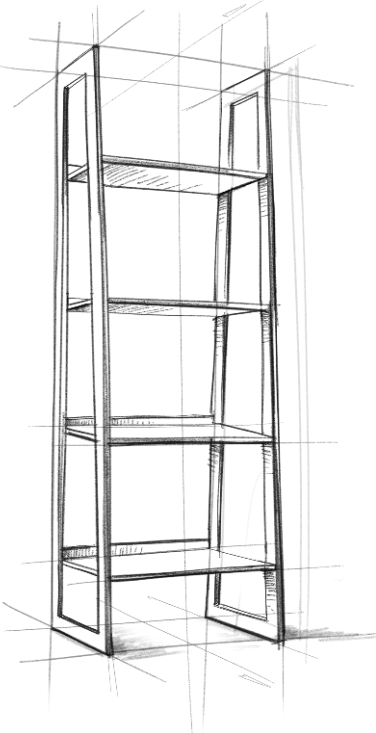
Thank you for your purchase! We hope you enjoy it. We'd love your feedback. Please share a review and get instant rewards!



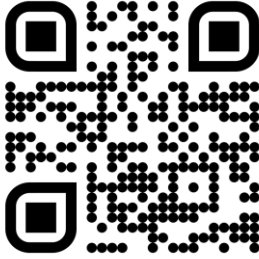
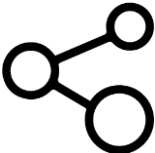
simpli-home.com/product-review



Share photos and get your cash back!



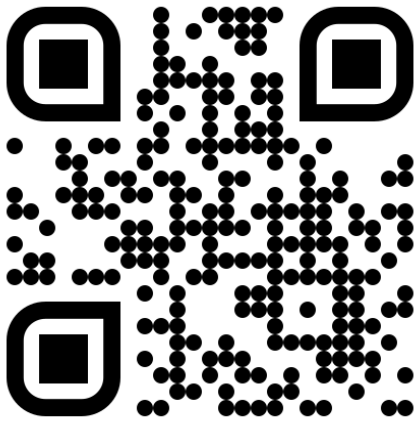
Send us images or share them on social and qualify for instant rewards. You may even receive store credit on your entire purchase!



simpli-home.com/share-images

SIMPLIHOME®

For fastest customer service:



1. Open your phone's camera.
2. Point your phone's camera at the QR code to scan.
3. Click on the pop up.
4. You'll be taken to our customer service page.
5. Fill the form with your order information and issue.
6. Submit form.
7. A customer service associate will contact you.

Other ways to contact us...



Email Us

customerservice@simpli-home.com



Visit Us

Visit our site directly at
www.simpli-home.com



Call Us

1-866-518-0120
Monday to Friday
9am to 5pm EST

***If you've purchased from a retailer and you wish to return the product, please contact the retailer directly.**

IMPORTANT: Please read this manual carefully before beginning assembly of this product. Keep this manual for future reference.

Safety Information

This furniture is designed for indoor use.

Identify all the parts and hardware. Do not discard of the packaging until you have checked that you have all the parts and hardware required. Hardware package may have spare parts.

WARNING: This item contains small parts which can be swallowed by children and pets. Keep children and pets away during assembly. To avoid danger of suffocation, always keep plastic bags away from children and pets.

We recommend that you assemble this unit on a carpeted floor to avoid scratches. If using power tools, set the tool to low torque to avoid damage.

May require 2 people for ease of assembly.

Care & Maintenance

To clean, use a soft or slightly damp cloth, then wipe with a clean, dry cloth.

Dust with a soft dry cloth.

Do not use ammonia-based cleaning products, as they will damage the finish.

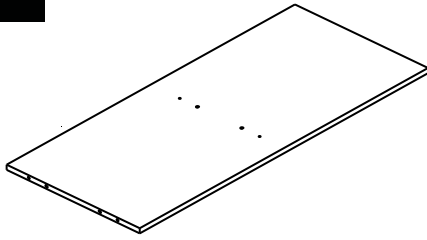
Do not leave liquids or damp cloths on this furniture.

To avoid dulling of the finish, do not place this furniture in direct sunlight.

Please inspect and tighten all screws or bolts on a regular basis to ensure proper performance and safety of your item.

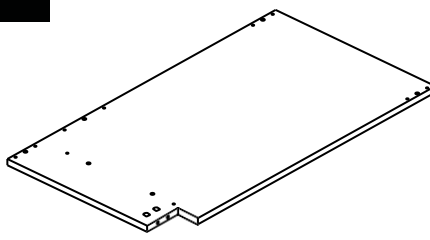
Cabinet Parts

A



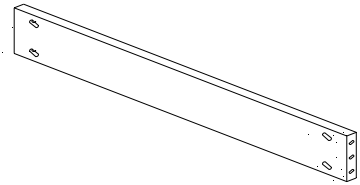
BOTTOM PANEL
QTY 1

B



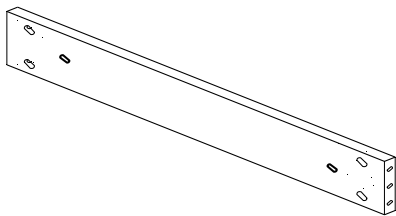
RIGHT SIDE PANEL
QTY 1

C



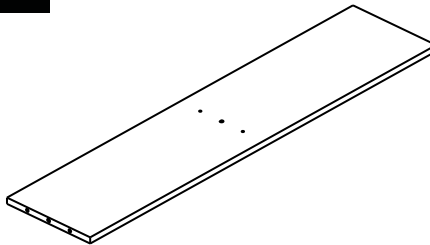
BACK BOTTOM PANEL
QTY 1

D



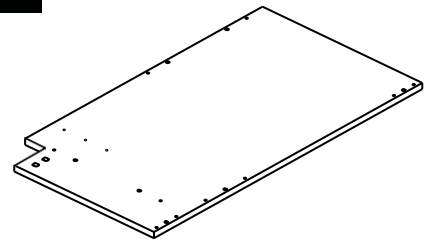
BACK TOP PANEL
QTY 1

E



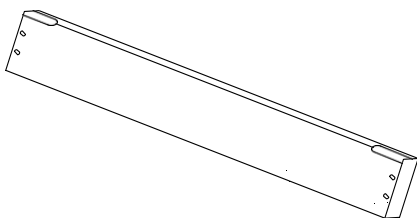
BACK MIDDLE PANEL
QTY 1

F



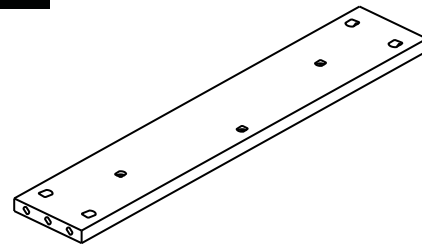
LEFT SIDE PANEL
QTY 1

G



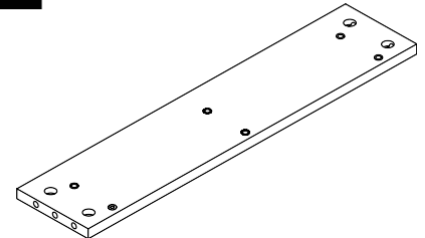
FRONT BOTTOM PANEL
QTY 1

H



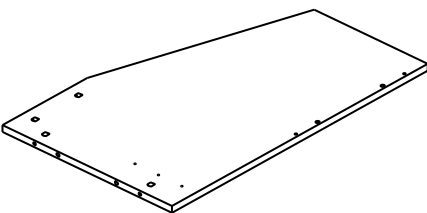
FRONT TOP PANEL
QTY 1

I



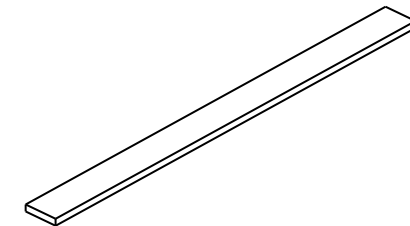
FRONT TOP PANEL
QTY 1

J



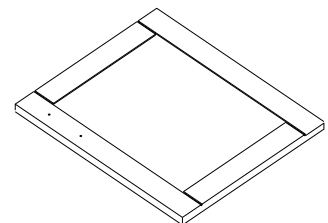
MIDDLE PANEL
QTY 1

K



FRONT PANEL
QTY 1

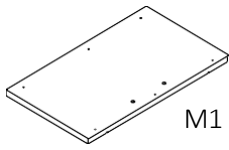
L



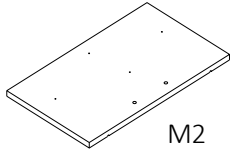
DOOR PANEL
QTY 1

Cabinet Parts

M



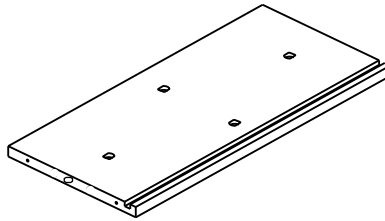
M1



M2

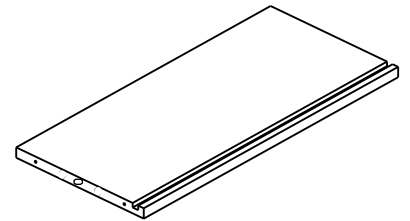
DRAWER PANEL
QTY 2

N



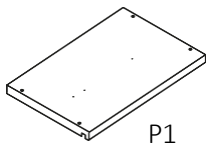
DRAWER FRONT
QTY 1

O

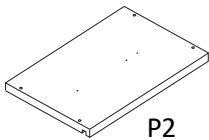


DRAWER BACK
QTY 1

P



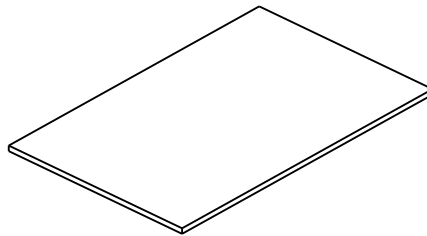
P1



P2

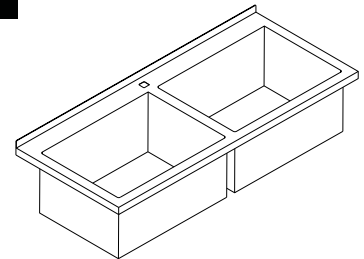
DRAWER LEFT AND RIGHT
QTY 2

Q



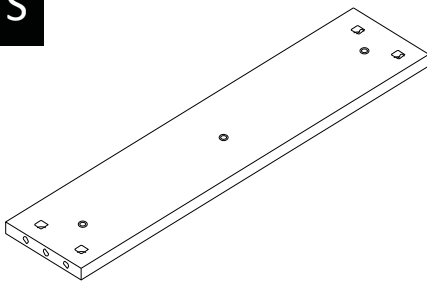
DRAWER BOTTOM
QTY 1

R



SINK
QTY 1

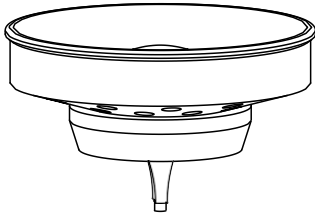
S



FRONT TOP PANEL
QTY 1

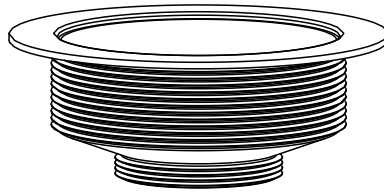
Drain Parts

1



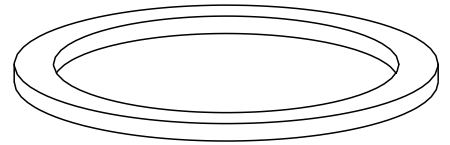
**DRAIN PLUG ASSEMBLY
QTY 1**

2



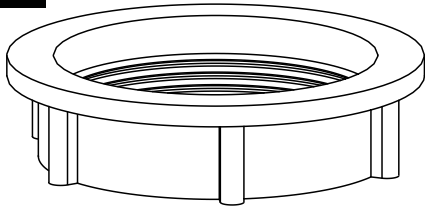
**DRAIN BOWL ASSEMBLY
QTY 1**

3



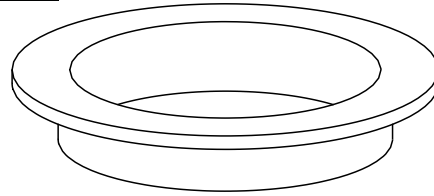
**DRAIN WASHER BLACK
QTY 1**

4



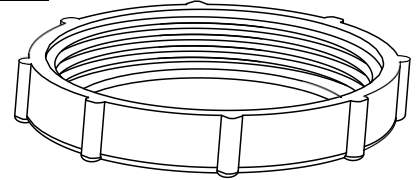
**THREAD WASHER
QTY 1**

5



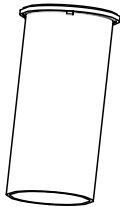
**PIPE WASHER
QTY 1**

6



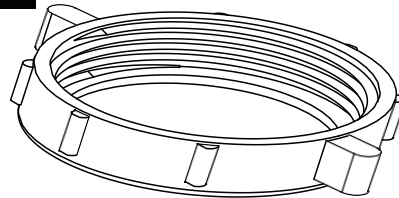
**COUPLING BLACK
QTY 1**

7



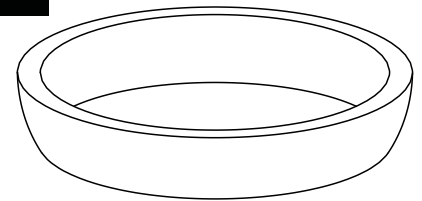
**STRAIGHT DRAIN PIPE BLACK
QTY 1**

8



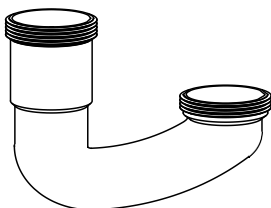
**COUPLING BLACK
QTY 2**

9



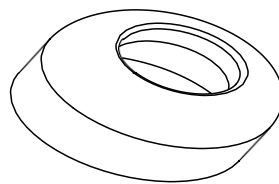
**PIPE WASHER WHITE
QTY 1**

10



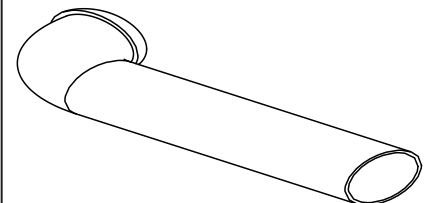
**DRAIN CHANNEL BLACK
QTY 1**

11



**PIPE COVER BLACK
QTY 1**

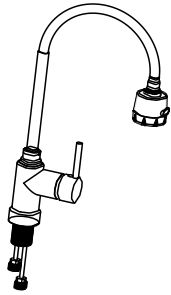
12



**OUTER DRAIN CHANNEL
QTY 1**

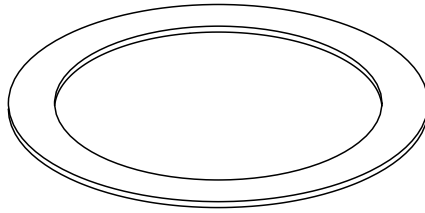
Faucet Parts

AA



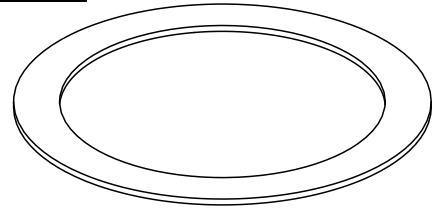
FAUCET BODY
QTY 1

BB



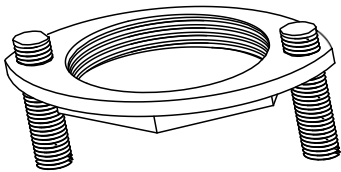
FAUCET WASHER RUBBER
QTY 2

CC



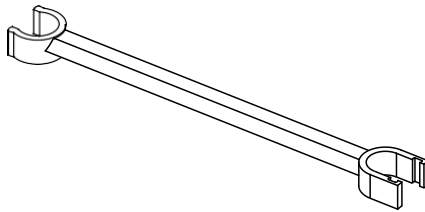
FAUCET WASHER STEEL
QTY 1

DD



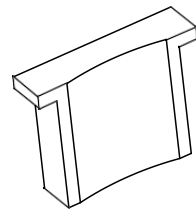
BRASS NUT ASSEMBLY
QTY 1

EE



FAUCET SUPPORT BAR
QTY 1

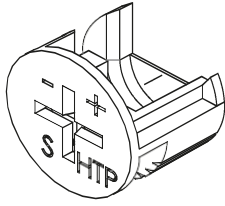
FF



INSERT
QTY 1

Hardware Parts

I



CAM LOCK
QTY 37

II



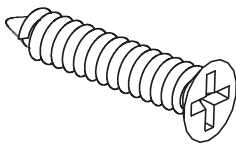
CAM PIN
QTY 37

III



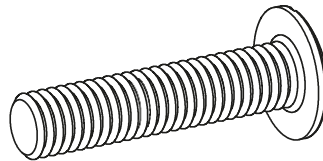
WOOD DOWEL
QTY 24

IV



SELF-TAPPING SCREW
M4 x 14 M4 x 25 M4 x 40
QTY 21 QTY 17 QTY 9

V



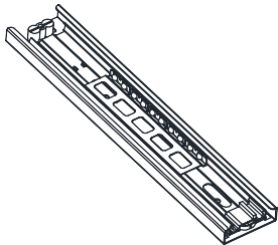
PHILLIPS SCREW
M4 x 23
QTY 6

VI



HANDLE
QTY 3

VII



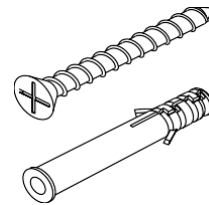
SLIDE RAIL
QTY 2

VIII

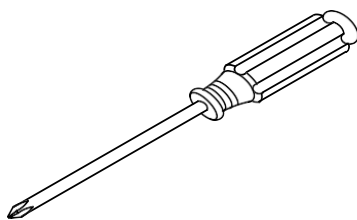


SLIDE RAIL
QTY 2

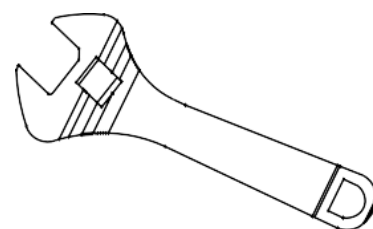
IX

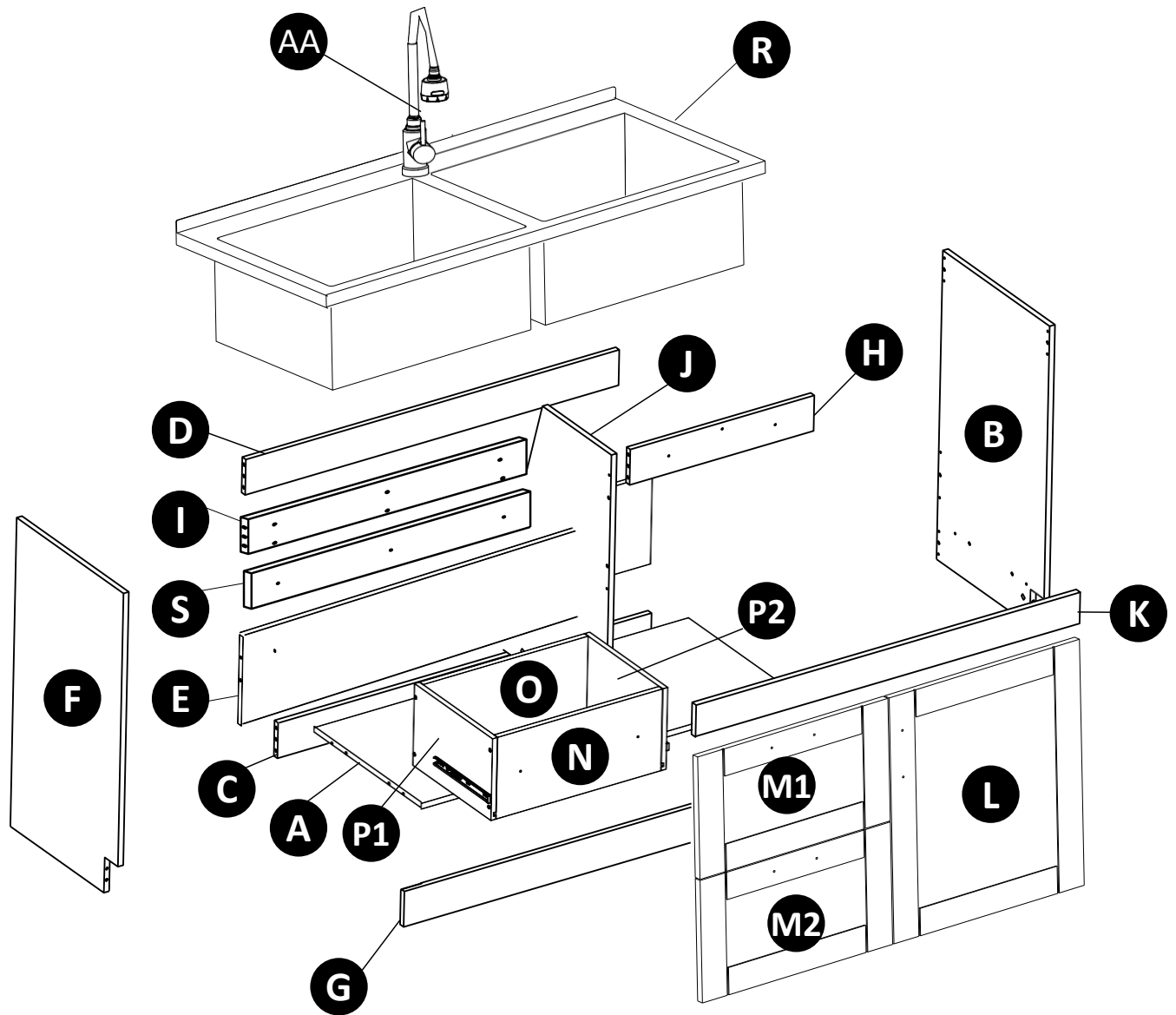


WALL ANCHOR and SCREW
M6 x 60
2 SETS




Required
Phillips screwdriver
Adjustable Wrench
Not Included

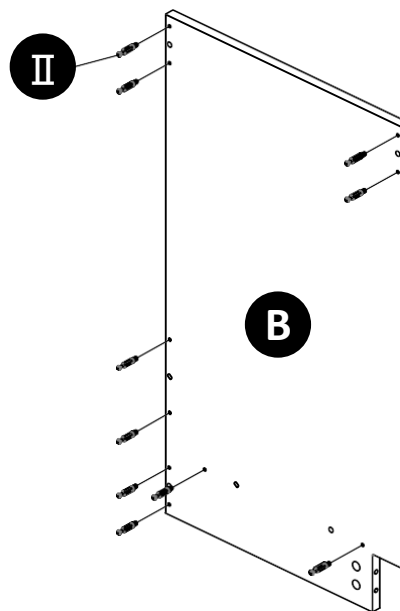
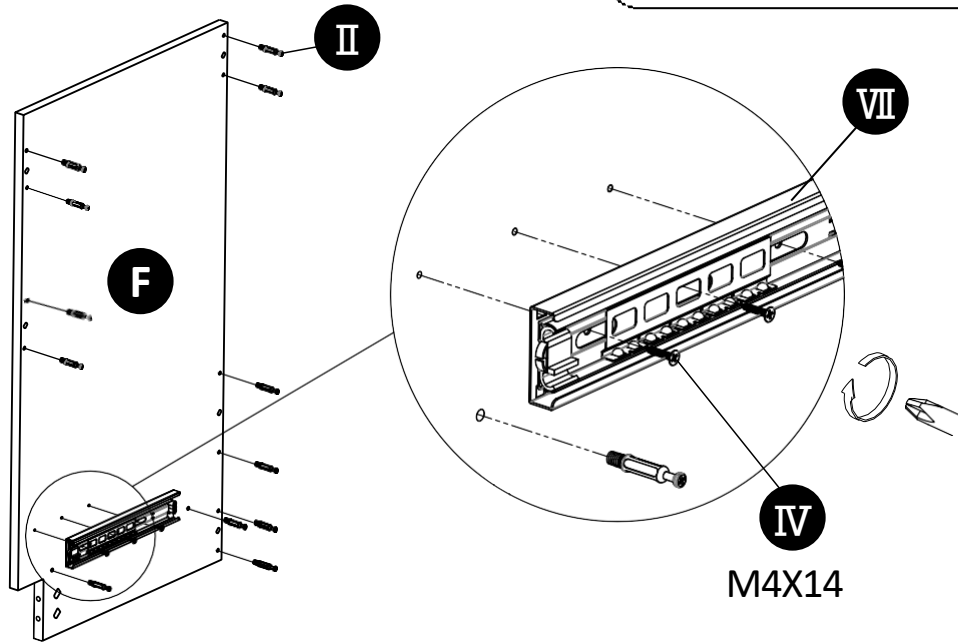




Step 1



NOTE: THE SCREWDRIVER IS NOT INCLUDED IN THE HARDWARE PACK.

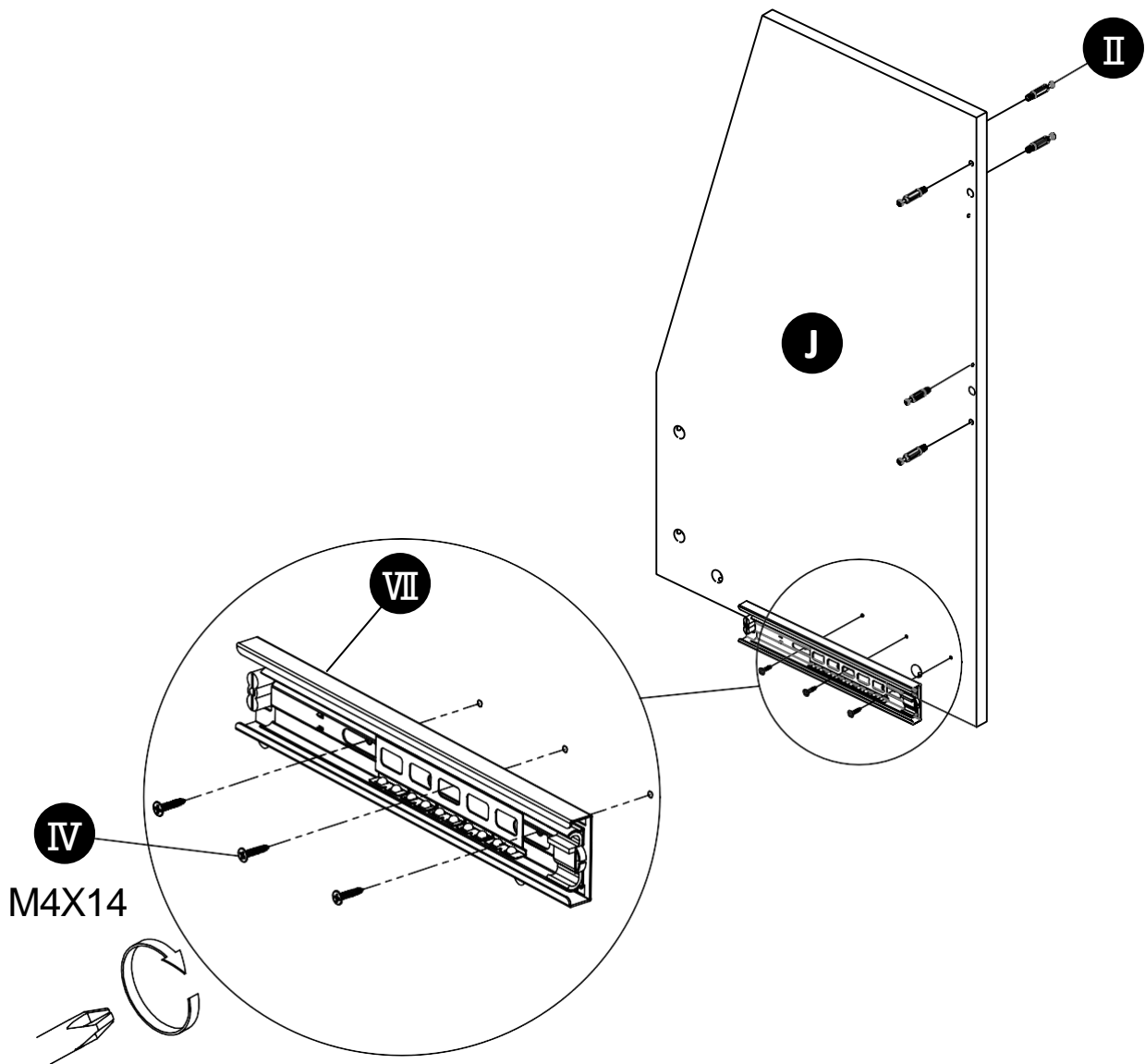


1. Screw Cam Pins (II) into the pre-drilled small holes on Left Panel (F) and Right Panel (B).
2. Insert Self-Tapping Screw (IV) M4 x 14 through the hole of Slide Rail (VII), then screw into the small hole of Left Side Panel (F).

Step 2



NOTE: THE SCREWDRIVER IS NOT INCLUDED IN THE HARDWARE PACK.

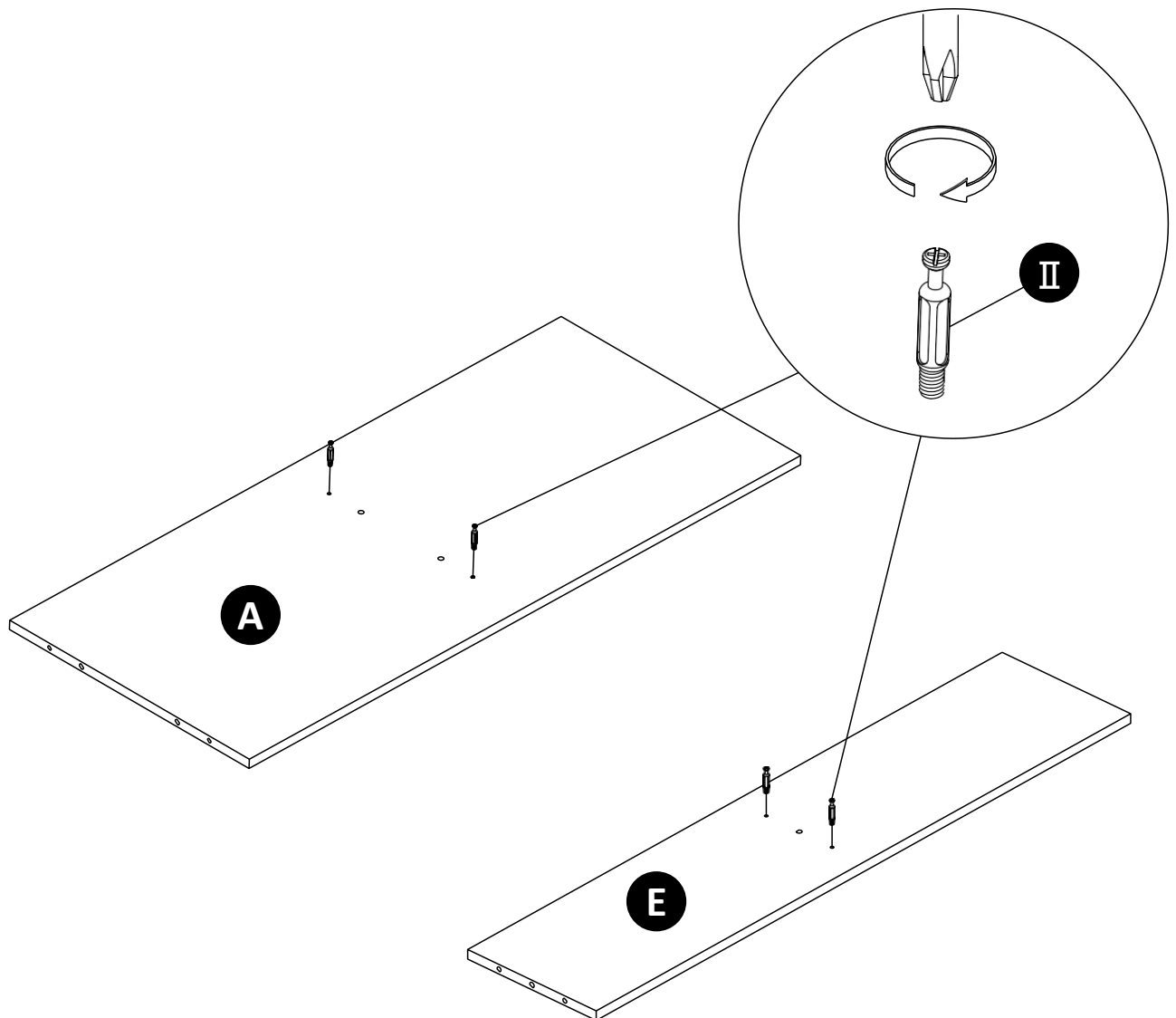


1. Screw Cam Pins (II) into the pre-drilled small holes on Middle Panel (J).
2. Insert Self-Tapping Screw (IV) M4 x 14 through the hole of Slide Rail (VII), then screw into the small hole of Middle Panel (J).

Step 3

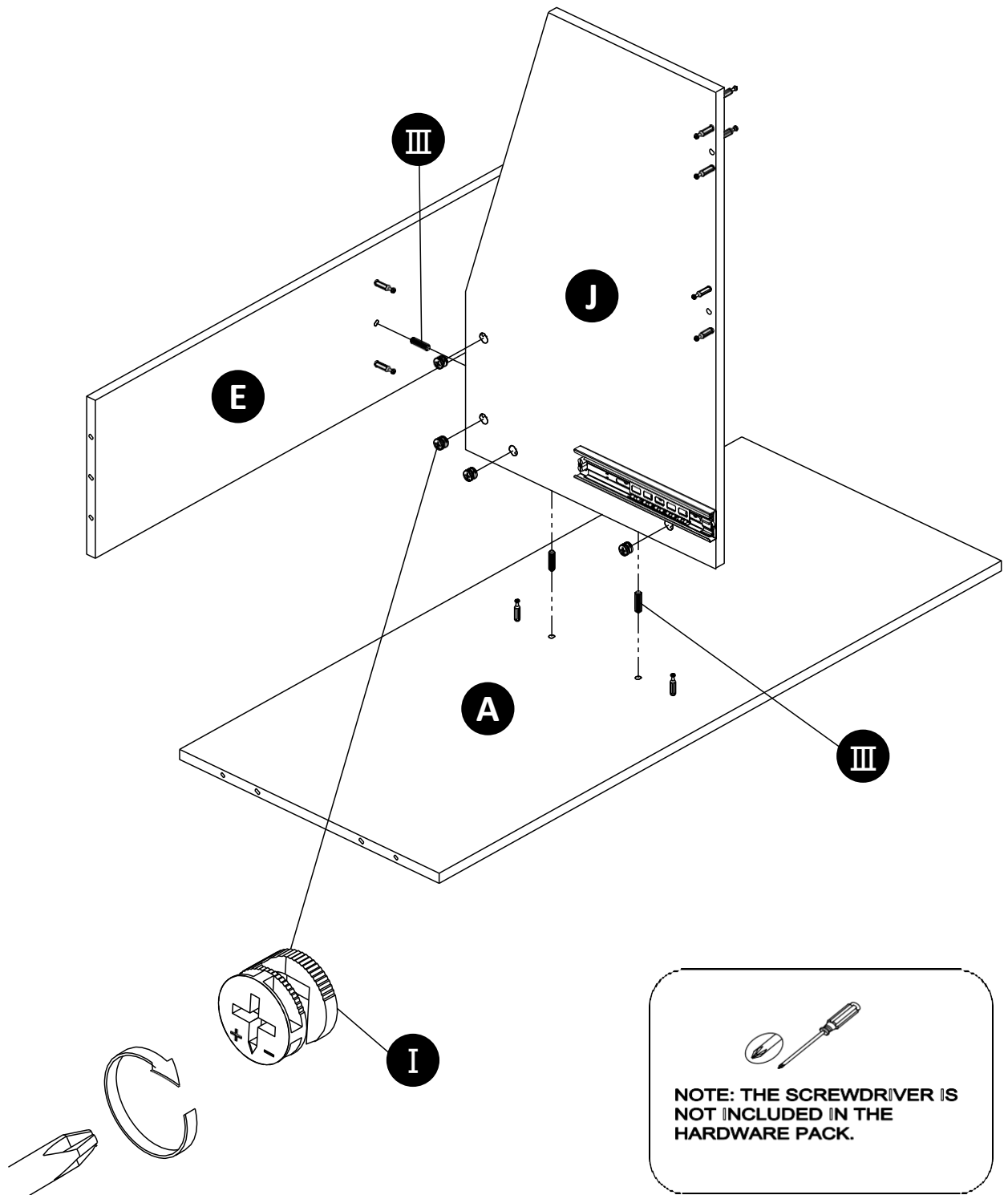


NOTE: THE SCREWDRIVER IS NOT INCLUDED IN THE HARDWARE PACK.



1. Screw Cam Pins (II) into the pre-drilled small holes on Bottom Panel (A) and Back Middle Panel (E).

Step 4

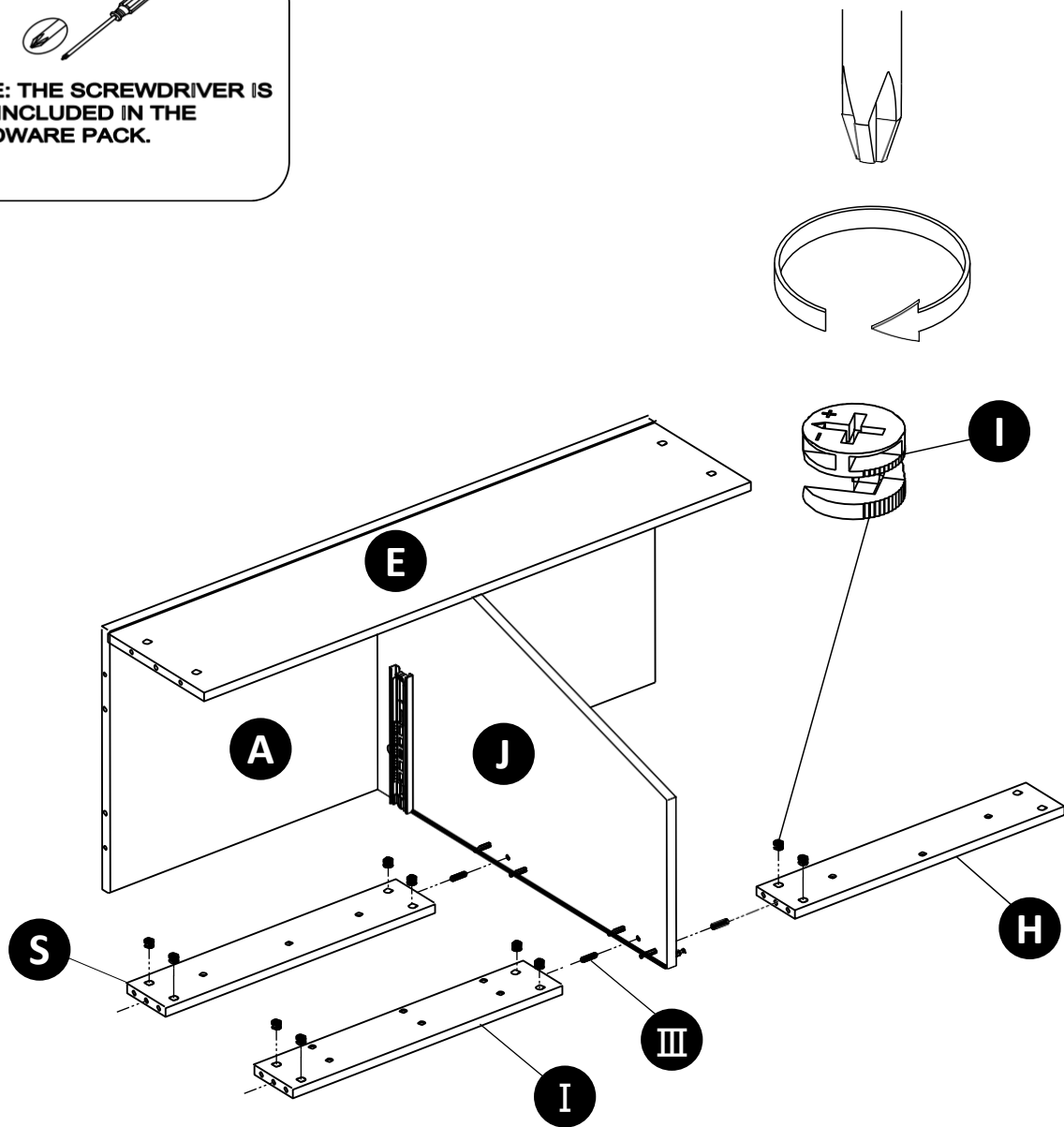


1. Insert Wood Dowels (III) into the pre-drilled holes of Middle Panel (J).
2. Attach Middle Panel (J) to Back Middle Panel (E) and Bottom Panel (A).
3. Insert Cam Locks (I) into pre-drilled holes on Middle Panel (J).
4. Tighten with the Screwdriver.

Step 5



NOTE: THE SCREWDRIVER IS NOT INCLUDED IN THE HARDWARE PACK.

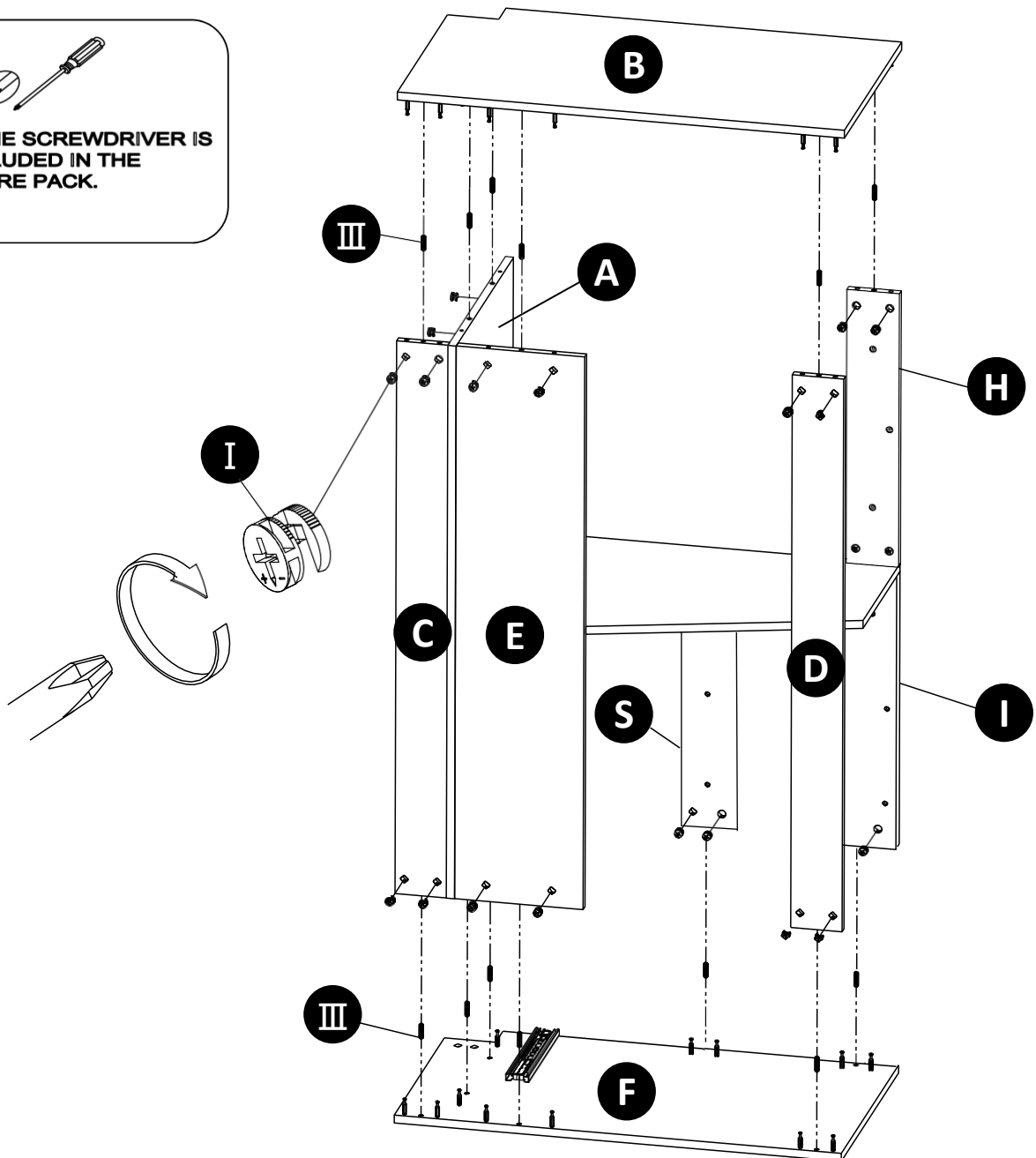


1. Insert Wood Dowels (III) into the pre-drilled holes of Front Top Panels (I), (H) and (S).
2. Attach Middle Panel (J) to Front Top Panels (I), (H) and (S).
3. Insert Cam Locks (I) into the pre-drilled holes of Front Top Panels (I), (H) and (S).
4. Tighten with the Screwdriver.

Step 6



NOTE: THE SCREWDRIVER IS NOT INCLUDED IN THE HARDWARE PACK.

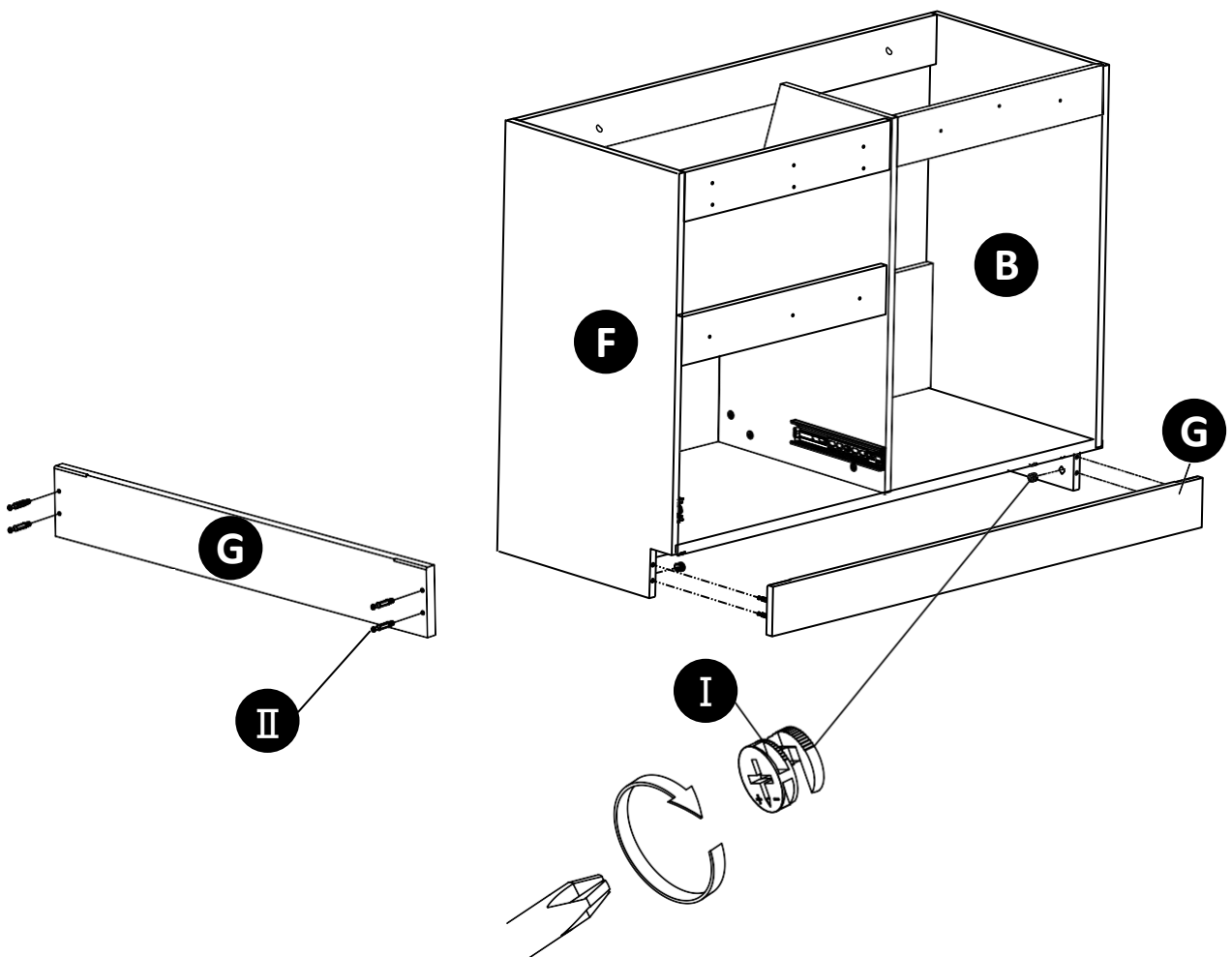


1. Insert Wood Dowels (III) into the pre-drilled holes of Bottom Panel (A), Front Top Panels (H), (I) and (S), Back Bottom Panel (C), Back Middle Panel (E) and Back Top Panel (D).
2. Attach Bottom Panel (A), Front Top Panels (H), (I) and (S), Back Bottom Panel (C), Back Middle Panel (E), Back Top Panel (D) to Right Side Panel (B) and Left Side Panel (F).
3. Insert Cam Locks (I) into pre-drilled holes on Bottom Panel (A), Front Top Panels (H), (I) and (S), Back Bottom Panel (C), Back Middle Panel (E) and Back Top Panel (D).
4. Tighten with the Screwdriver.

Step 7

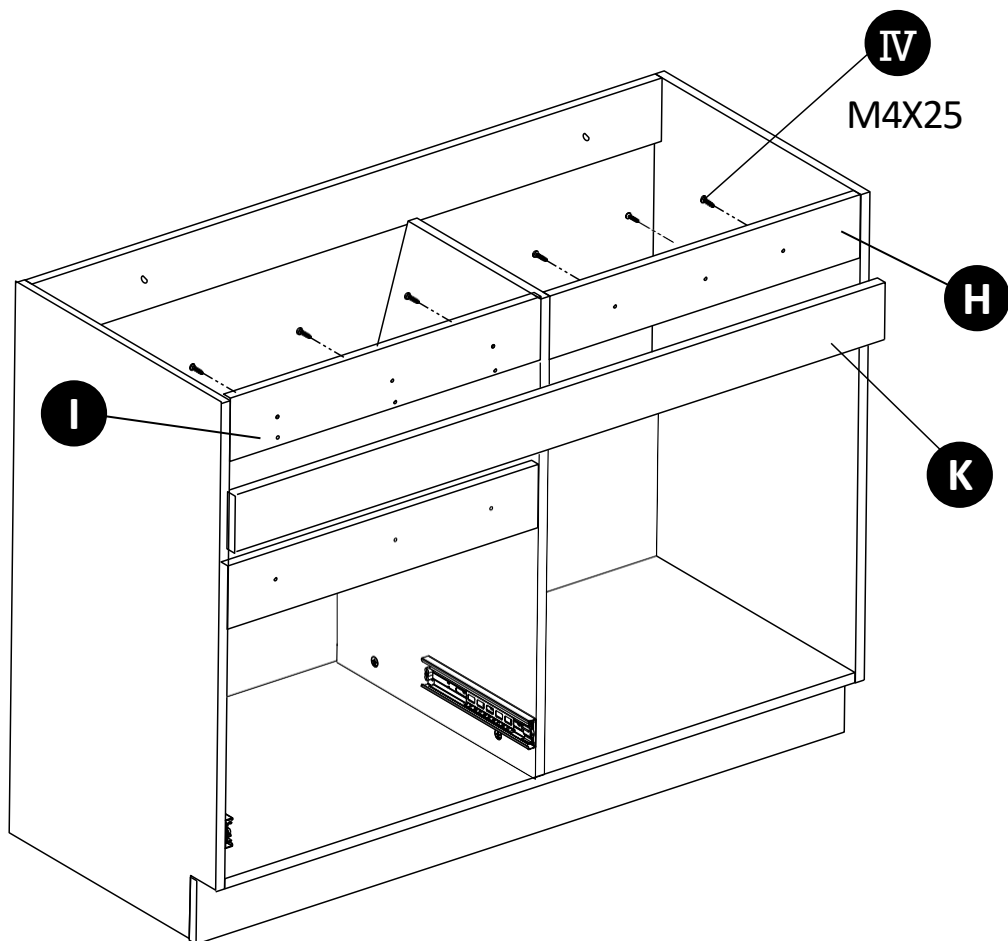


NOTE: THE SCREWDRIVER IS NOT INCLUDED IN THE HARDWARE PACK.



1. Screw Cam Pins (II) into the pre-drilled small holes on Front Bottom Panel (G).
2. Insert Front Bottom Panel (G) with Cam Pins (II) into the pre-drilled holes on both Side Panels (B) and (F).
3. Insert Cam Locks (I) into pre-drilled holes on both Side Panels (B) and (F).
4. Tighten with the Screwdriver.

Step 8

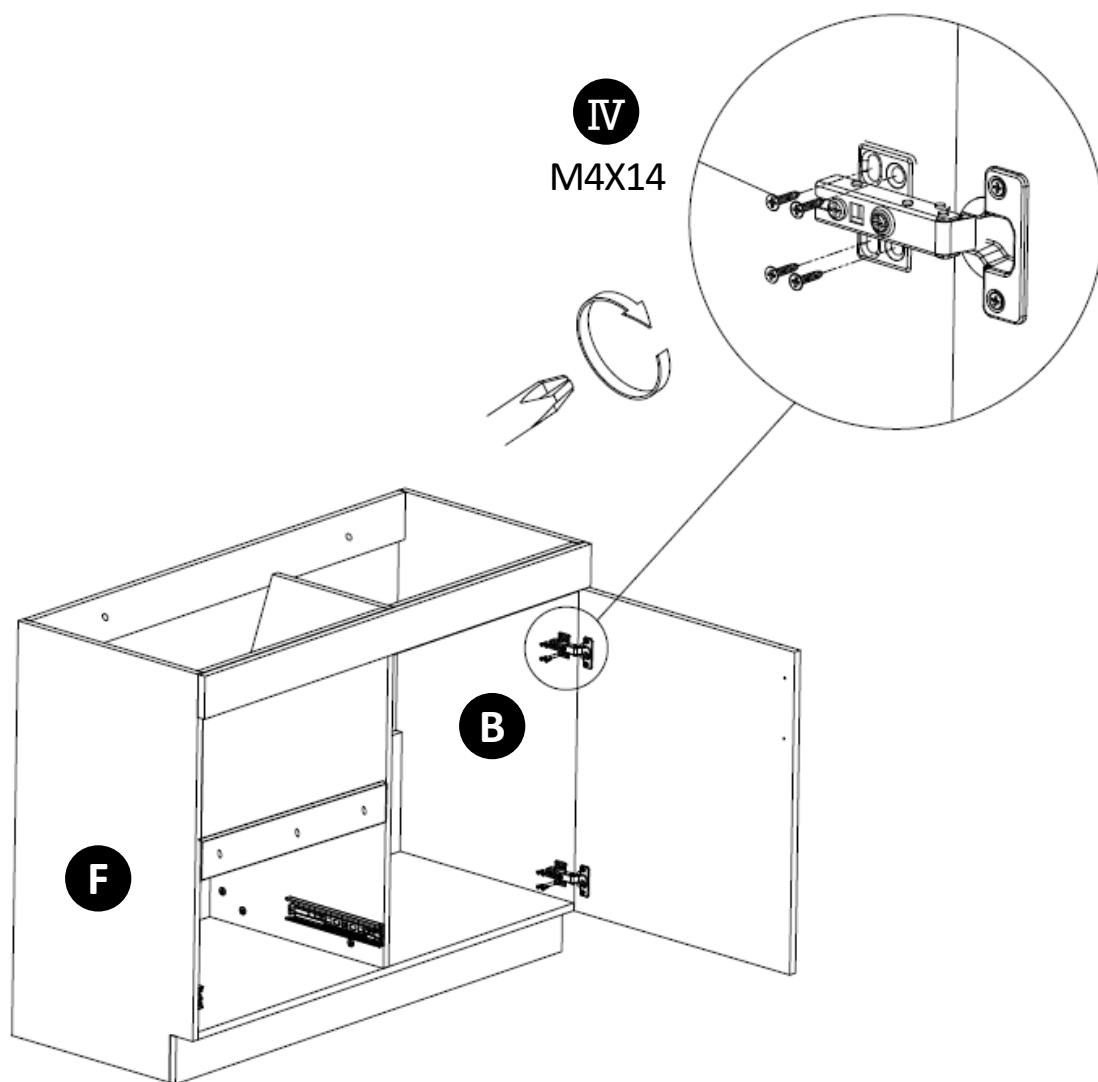


1. Insert Self-Tapping Screws (IV) M4 x 25 through the holes of Front Top Panels (I) and (H), and screw into the Top Panel (K).

Step 9



NOTE: THE SCREWDRIVER IS NOT INCLUDED IN THE HARDWARE PACK.

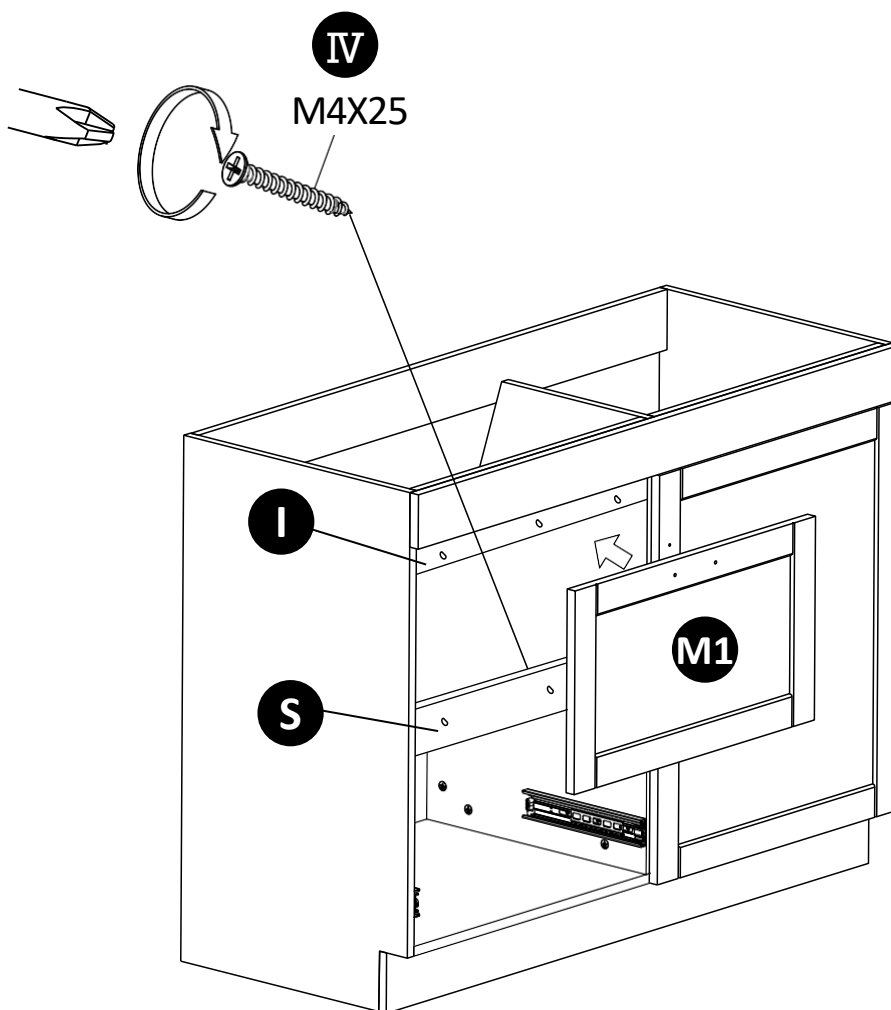


1. Use the Screwdriver to attach the right door hinges to Right Side Panel (B) with Self-Tapping Screws (IV) M4 x 14.

Step 10



NOTE: THE SCREWDRIVER IS NOT INCLUDED IN THE HARDWARE PACK.

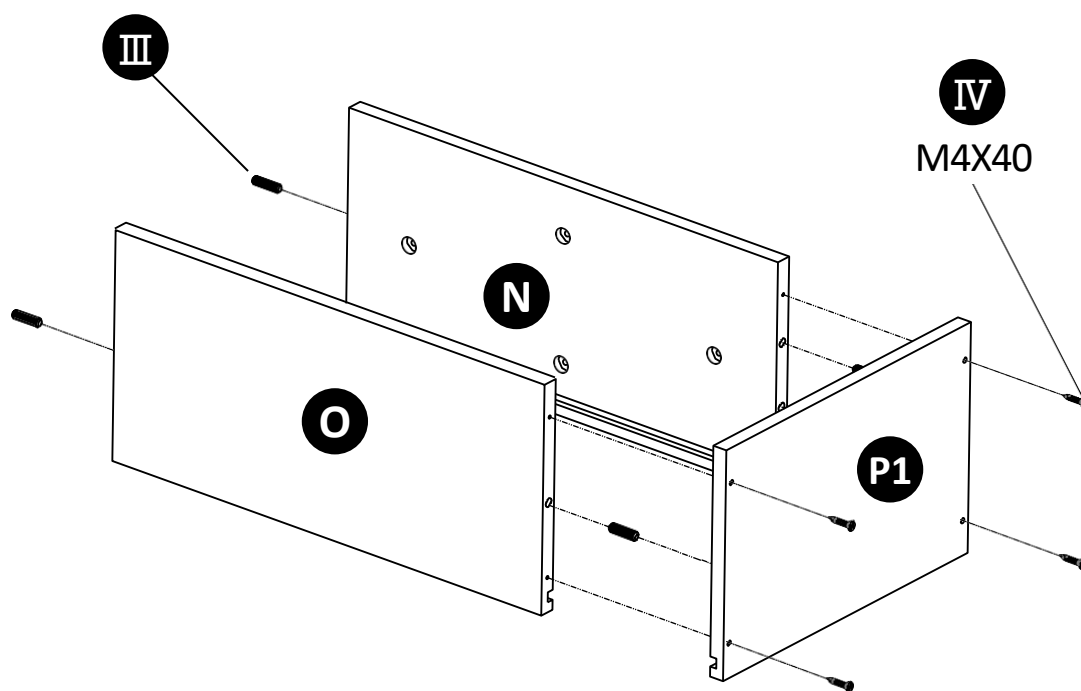


1. Insert Self-Tapping Screws (IV) M4 x 25 through the holes of Front Top Panels (I) and (S), and screw into the Drawer Panel (M1).

Step 11



NOTE: THE SCREWDRIVER IS NOT INCLUDED IN THE HARDWARE PACK.

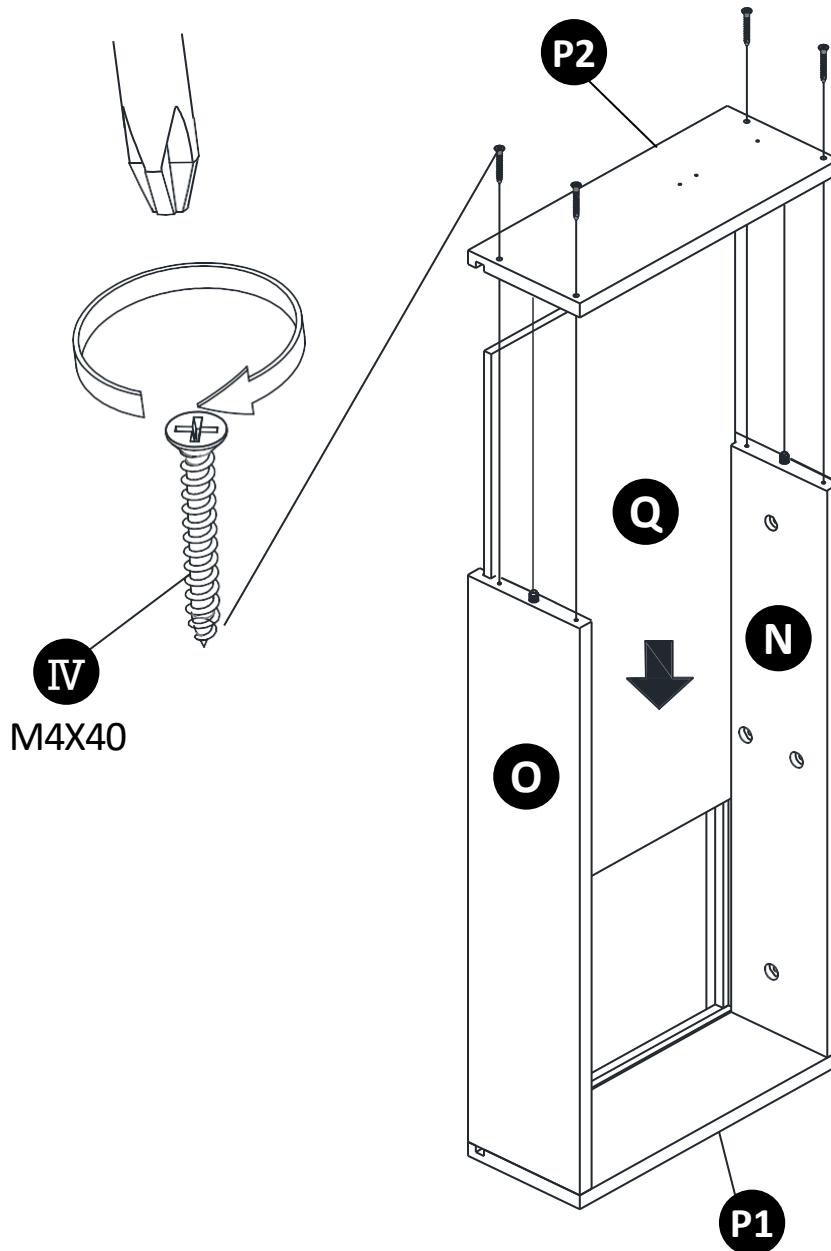


1. Insert Wood Dowels (III) into the holes of Drawer Front (N) and Drawer Back (O).
2. Attach Drawer Left (P1) to Drawer Front (N) and Drawer Back (O).
3. Use the Screwdriver to attach the Drawer Left (P1) with Self-Tapping Screws (IV) M4 x 40.

Step 12

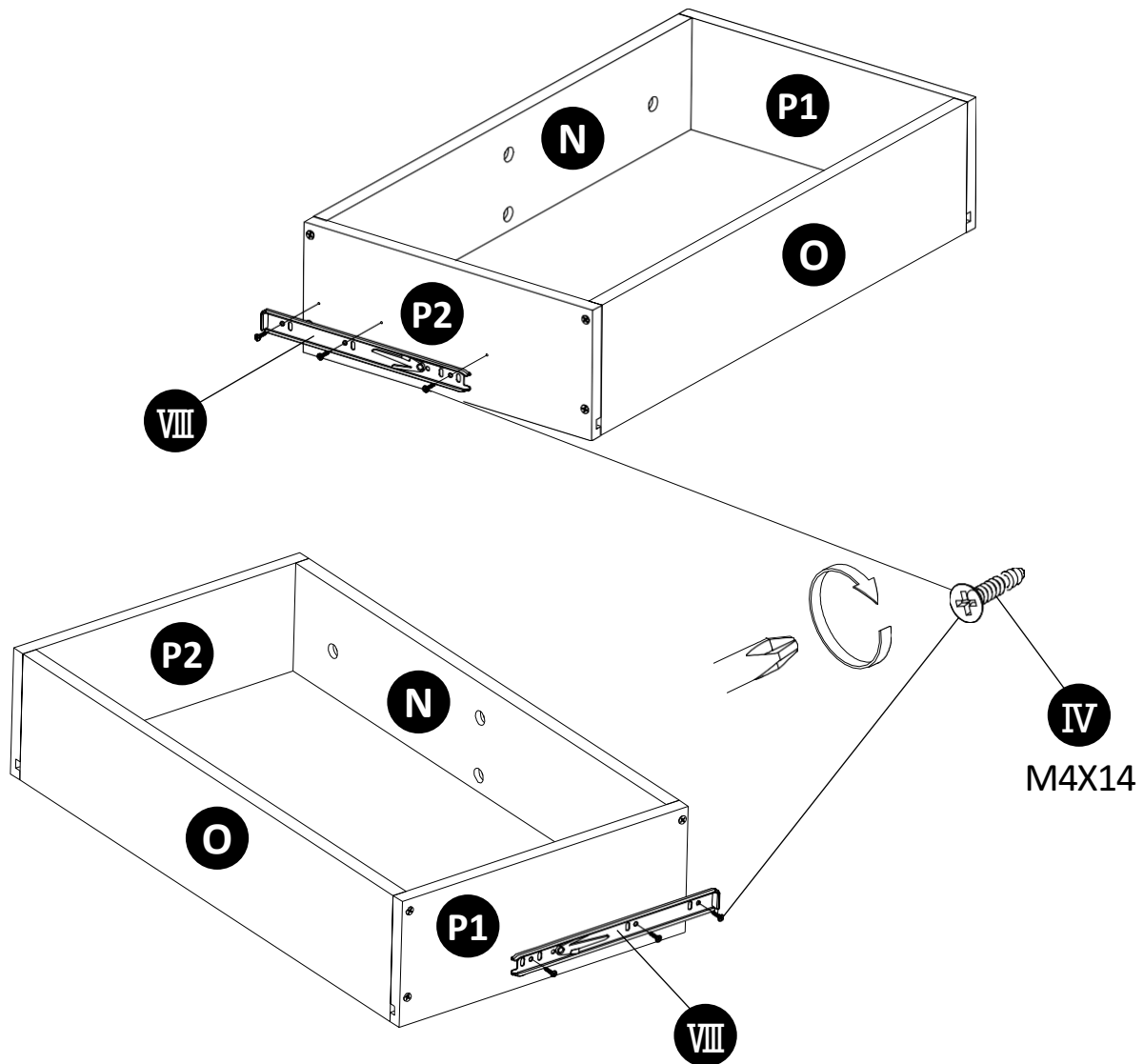


NOTE: THE SCREWDRIVER IS NOT INCLUDED IN THE HARDWARE PACK.



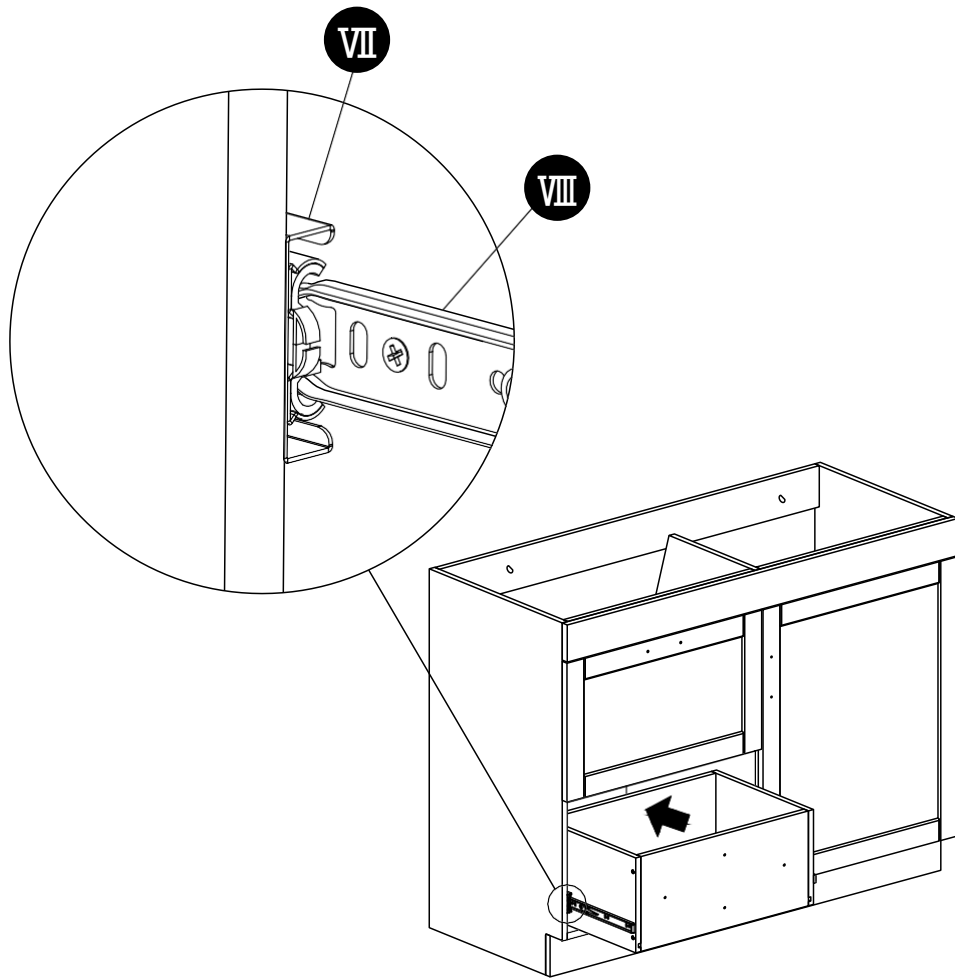
1. Place the Drawer Bottom (Q) into the slot of the Drawer Front (N), Drawer Back (O) and Drawer Left (P1).
2. Attach Drawer Right (P2) to Drawer Front (N) and Drawer Back (O).
3. Use the Screwdriver to attach the Drawer Right (P2) with Self-Tapping Screw (IV) M4 x 40.

Step 13



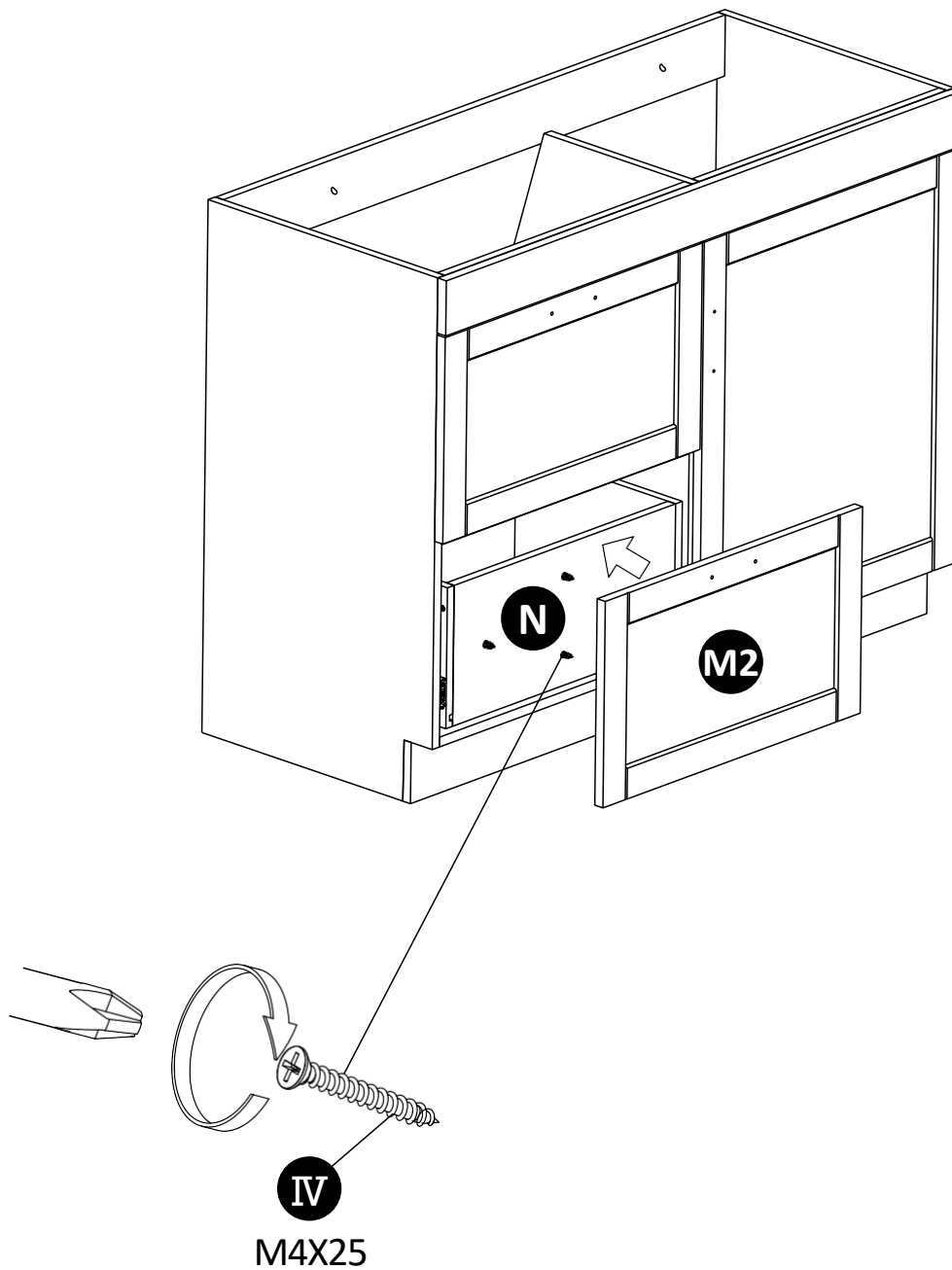
1. Use the Screwdriver to attach the Slide Rails (VIII) with Self-Tapping Screws (IV) M4 x 14 into the small holes of Drawer Left (P1) and Drawer Right (P2).

Step 14



1. Place the Drawer into the cabinet.

Step 15

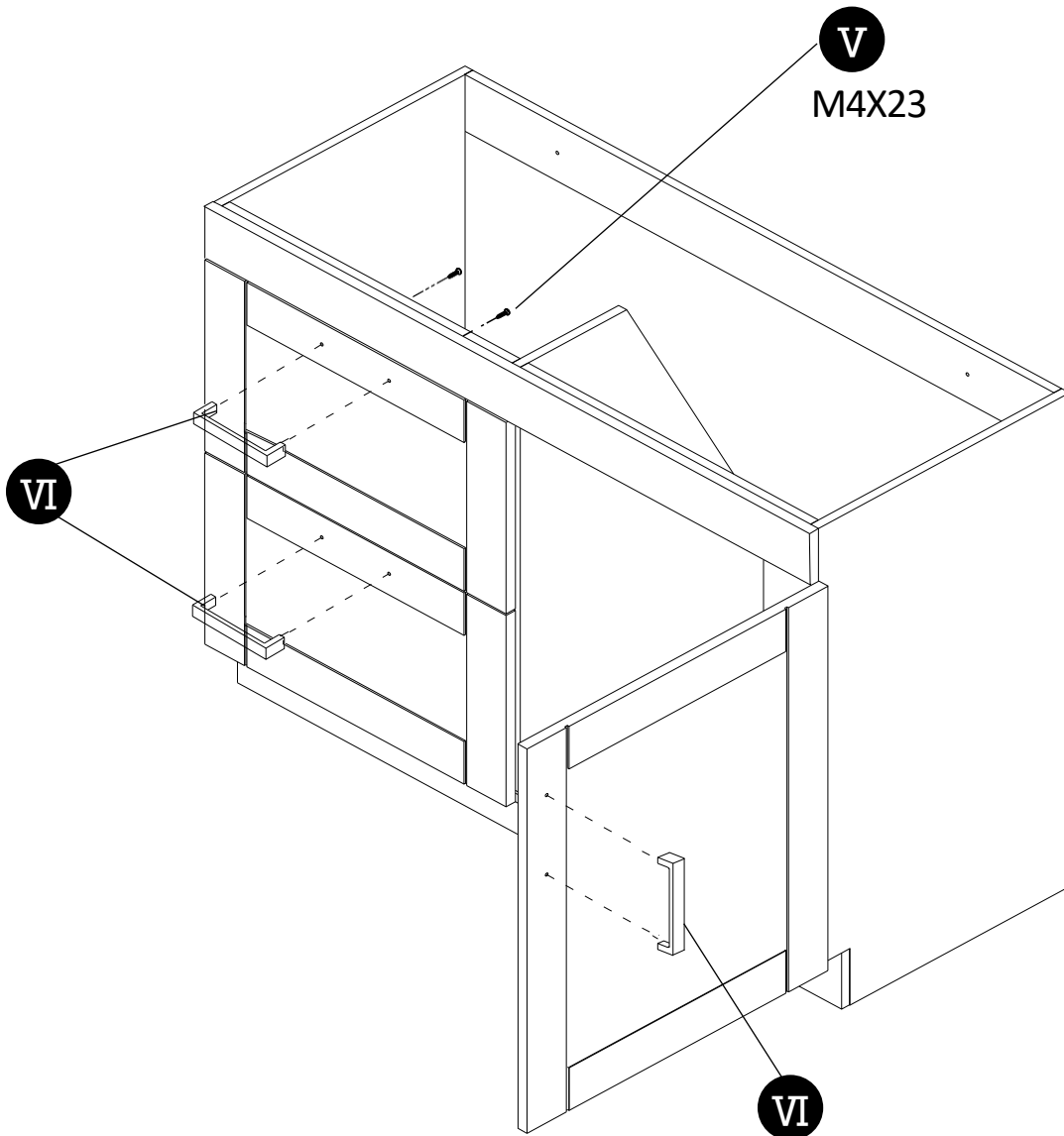


1. Insert Self-Tapping Screws (IV) M4 x 25 through the holes of Drawer Front (N) and screw into the Drawer Panel (M2).

Step 16




NOTE: THE SCREWDRIVER IS NOT INCLUDED IN THE HARDWARE PACK.

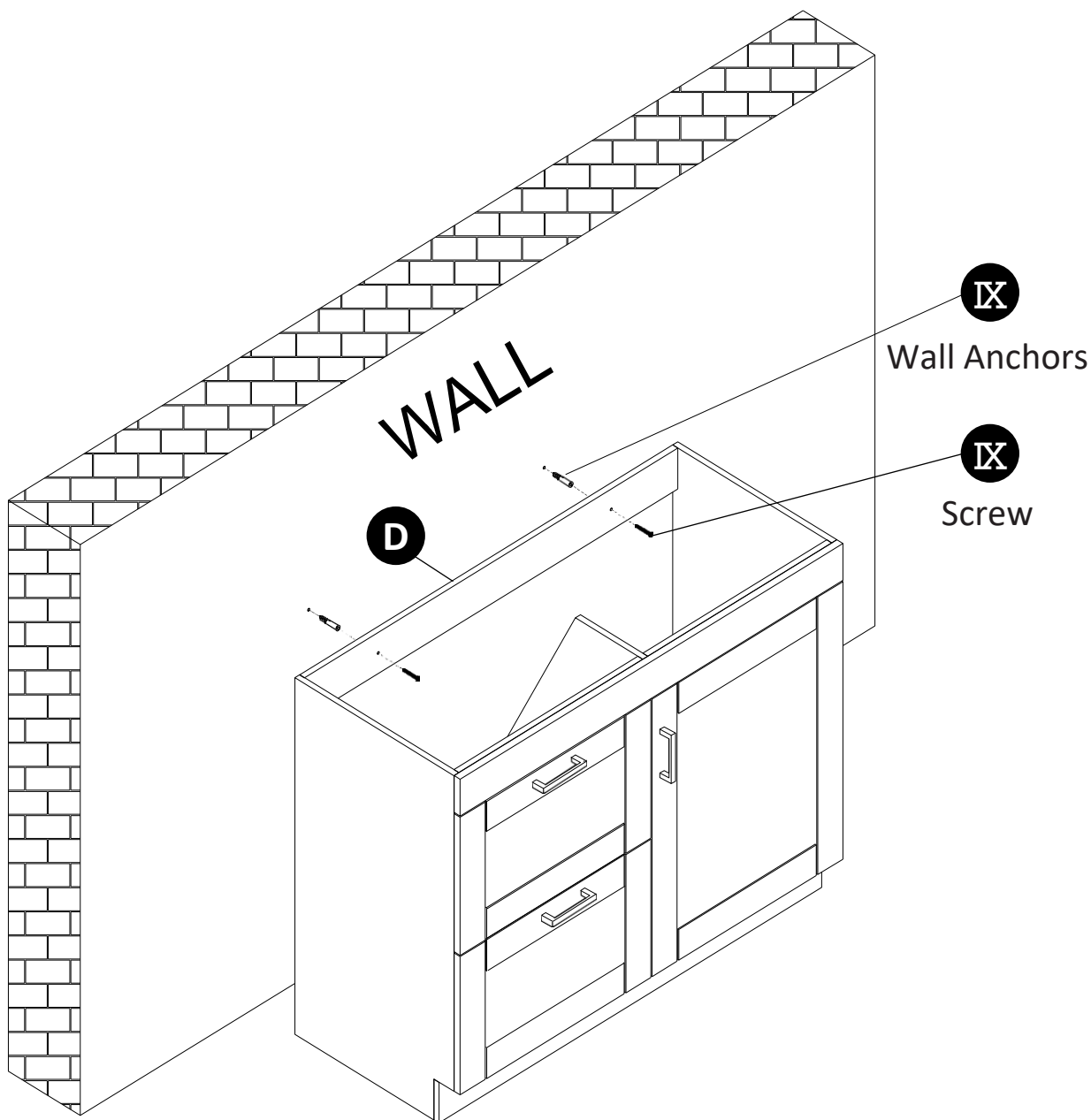


1. Use the Screwdriver to attach the Handle (VI) with Philips Screws (V) M4 x 23.

Step 17

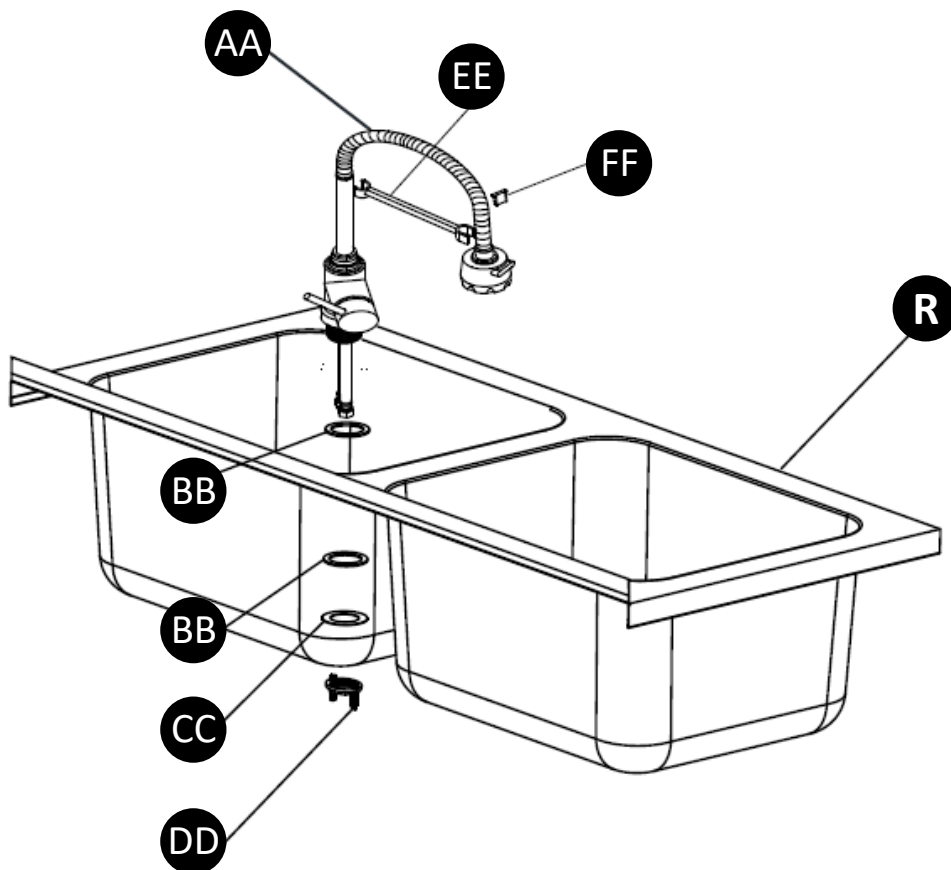


NOTE: THE SCREWDRIVER IS NOT INCLUDED IN THE HARDWARE PACK.



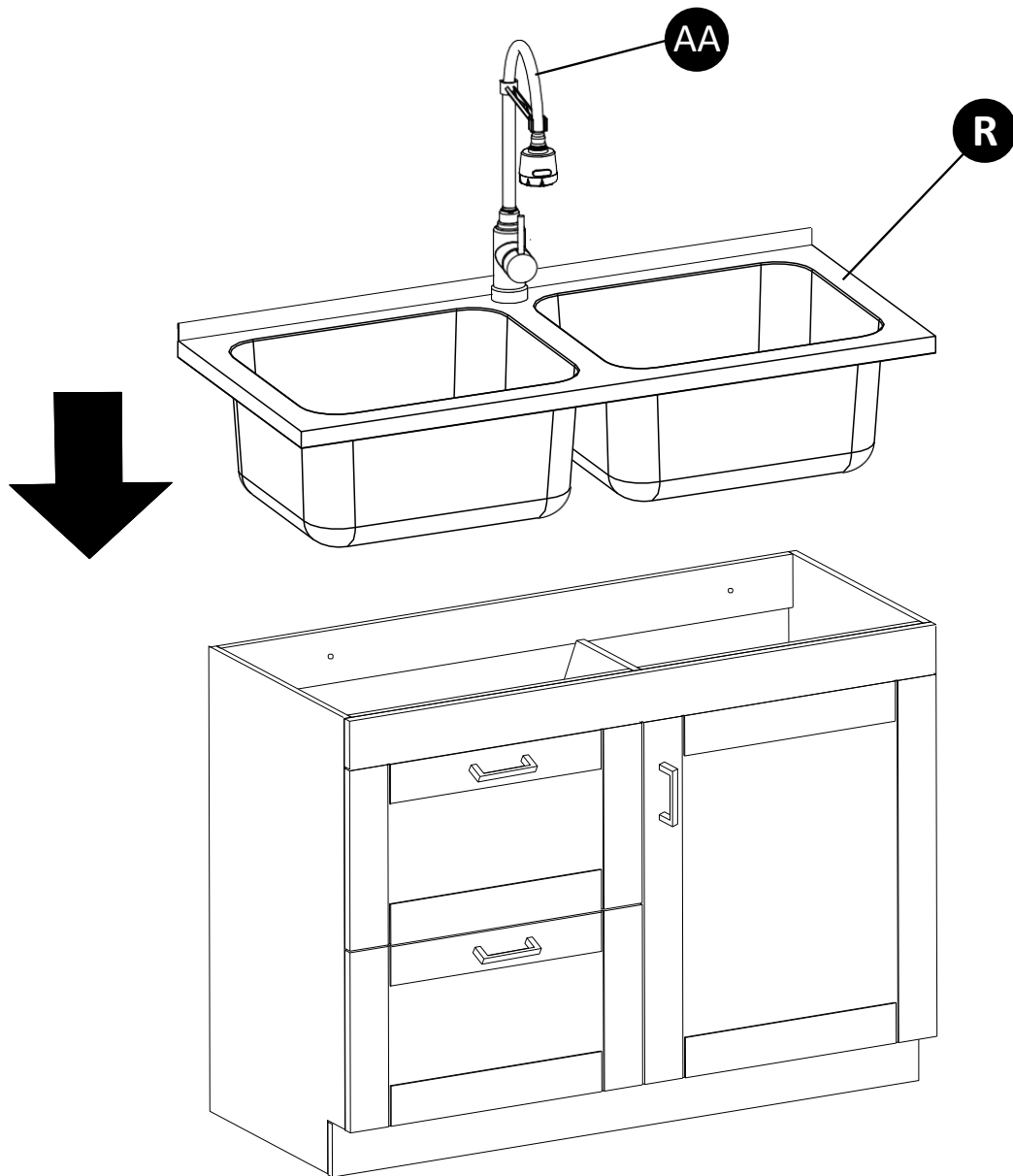
1. Pierce holes in the wall and insert Wall Anchors (IX) into the holes.
2. Insert the Screw (IX) through Panel (D) and then insert it into the Wall Anchor to lock in place.

Step 18



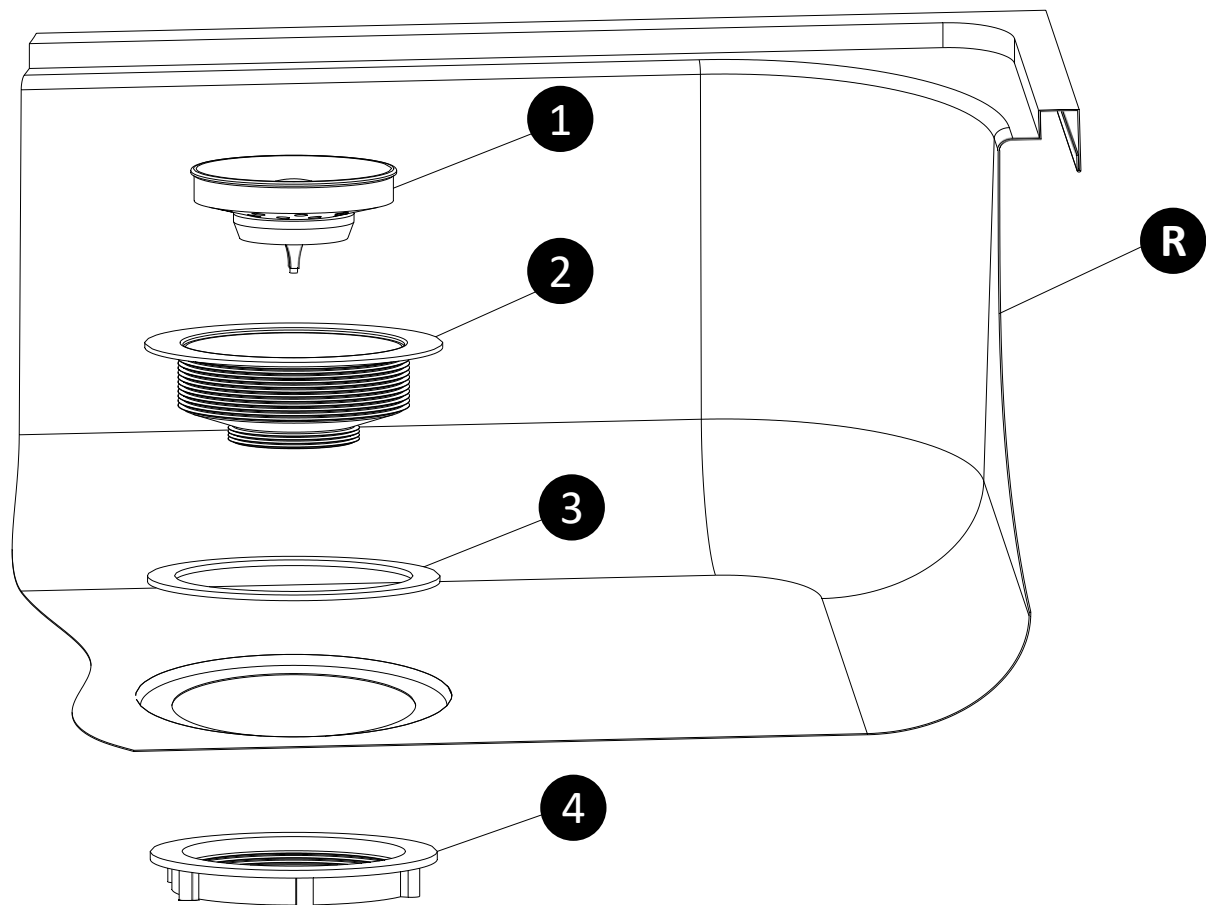
1. Place a Rubber Washer (BB) onto the end of the Faucet (AA) and insert the faucet through the top of the Sink (R).
2. From underneath the Sink (R), secure the Faucet (AA) to the Sink (R) using a Rubber Washer (BB), Steel Washer (CC) and Brass Nut Assembly (DD).
3. Clip the Faucet Support Bar (EE) onto the neck of Faucet (AA) and use Insert (FF) on the back of Faucet (AA) neck to hold it in place.

Step 19



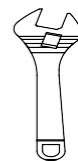
1. Place the Sink (R) with the attached Faucet Body (AA) on top of the cabinet.

Step 20

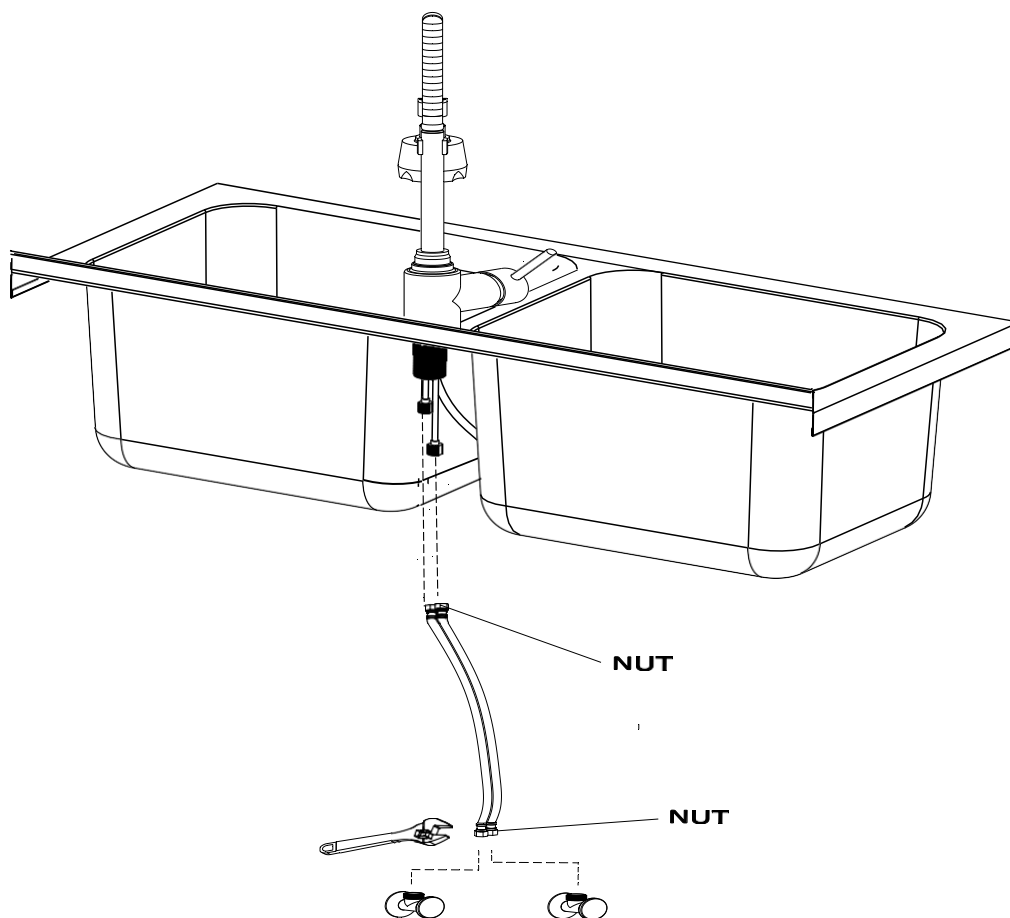


1. Put the Drain Washer (3) on the top of the drain opening in the Sink (R).
2. Put the Drain Bowl Assembly (2) on the Drain Washer (3) through the drain opening.
3. From underneath the sink fasten the Threaded Washer (4) onto the Drain Bowl Assembly (2) and tighten.
4. Insert the Drain Plug Assembly (1) into the Drain Bowl Assembly (2).

Step 21

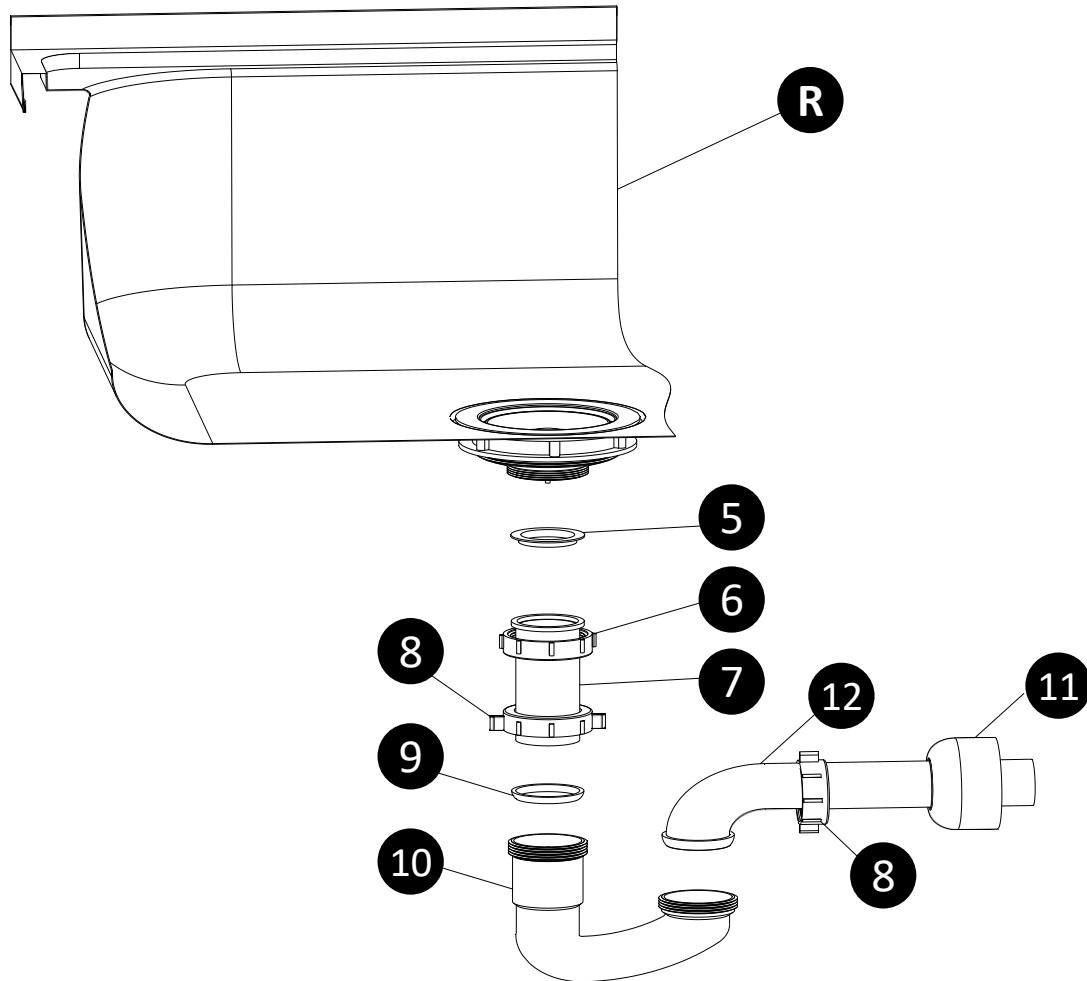


NOTE: THE ADJUSTABLE WRENCH IS NOT INCLUDED IN THE HARDWARE PACK.



1. Fasten the nuts of the hoses (not included in package) to the nut ends of the faucet body.
2. Fasten the nuts of the hoses (not included in package) to the water outlet:
 - Red striped hose to Hot water supply
 - Blue striped hose to Cold water supply
3. Ensure to only tighten the nut and not twist the supply hose.
4. Leakage may occur if hoses are twisted.

Step 22

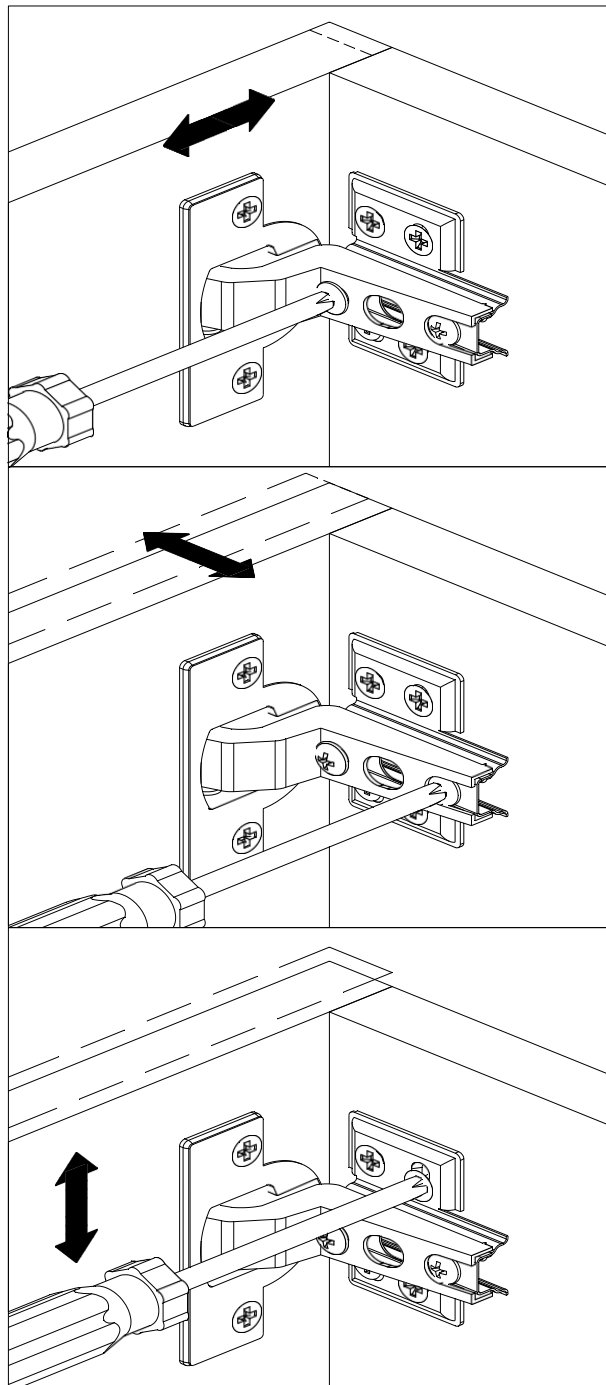


1. Put a Pipe Washer (5) onto the Straight Drain Pipe (7). Connect the Straight Drain Pipe (7) to the drain and fasten the Coupling (6).
2. Put the Coupling (8) into the Straight Drain Pipe (7) and put a Pipe Washer (9) into the Straight Drain Pipe (7).
3. Connect the Drain Channel (10) to the Straight Drain Pipe (7) and fasten with the Coupling (8).
4. On the Drain Channel (10), wrap teflon tape (not included) around the threaded end that connects to the Outer Drain Channel (12).
5. Connect the Outer Drain Channel (12) to the Drain Channel (10) and fasten with the Coupling (8).
6. Insert the Outer Drain Channel (12) into the Drain Channel (10) and cover with the Pipe Cover (11).

Step 23



NOTE: THE SCREWDRIVER IS NOT INCLUDED IN THE HARDWARE PACK.



1. Use the Screwdriver to re-align or adjust the hinges that attach the doors to the cabinet.