

Saramonic

Sound.Remarkable. 

Professional Condenser Microphone 专业级电容麦克风

Soundbird T3L

User Manual
用户手册

Statement

Please read this manual carefully before using and strictly operate and store in accordance with the instructions. Please save it for your future reference.

If the user manual can not help you to solve problems, please ask your retailer for help or email us: info@saramonic.com.

Cautions

1. Do not use the unit under moisture condition or water, don't expose it to rain. Please store it in a cool, dry place.
2. Please use and store it in normal temperature. Do not move it from overheated to supercooled condition frequently as well as keep away from heat sources such as heater or oven.
3. When using and storing, please pay attention to dust and moisture.
4. Be careful to violent collision.
5. To avoid acoustical feedback, do not hold the microphone close to the loudspeakers.
6. For the best pick-up pattern, do not hold your hand against the microphone cover.

声明

请在使用前仔细阅读本手册，并严格按照说明进行操作和存储。请保存以供将来参考。如果用户手册不能帮助您解决某些问题，请向零售商寻求帮助或给我们发送电子邮件：info@saramonic.com。

注意事项

1. 请勿在水下使用本机，也不要使其受到雨淋。请存放在阴凉干燥处。
2. 请在常温下使用和存放。请经常将其从过热状态移至过冷状态，并远离加热器和烤箱等热源。
3. 使用和存放时，请注意防尘和防潮。
4. 注意剧烈碰撞。
5. 为避免声音反馈，请勿将麦克风靠近扬声器。
6. 为获得最佳拾音模式，请勿将手放在麦克风上。

Introduction

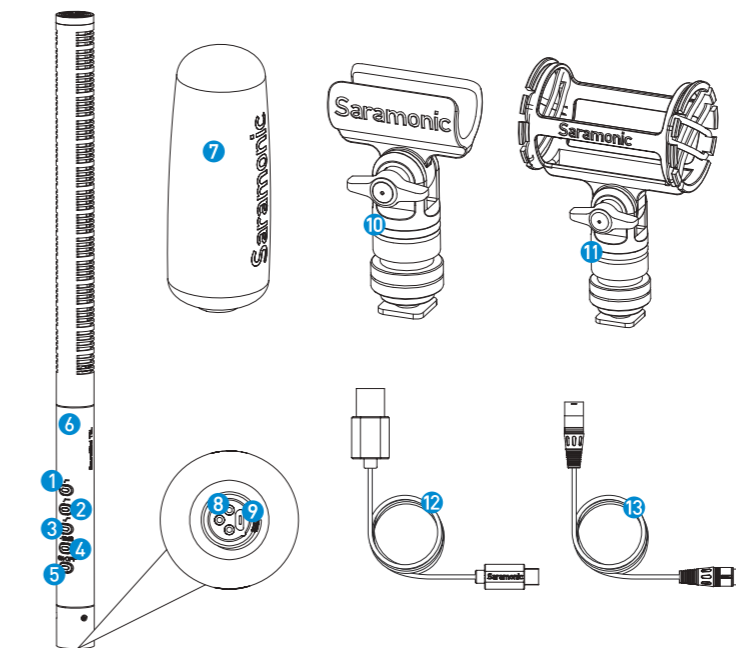
Saramonic Soundbird T3L is a super-long directional shotgun microphone features a super-cardioid polar pattern, built-in rechargeable battery, 75 Hz/150 Hz low cut switch, +6 dB high frequency boost, -10 dB PAD and power button.

Soundbird T3L is very fit in several environments for applications such as DSLR video making, ENG, filmmaking, field recording, sound design, and broadcast applications.

Saramonic Soundbird T3L 是专业级超心型加长版枪式麦克风，内置锂电池并且有强大功能支撑，75Hz/150Hz低切键切换，+6dB高频增益，-10dB衰减，保证录制过程顺利进行。

Saramonic Soundbird T3L 是专业级超心型加长版枪式麦克风，强大功能支撑，75Hz/150Hz低切键切换，+6dB高频增益，-10dB衰减，保证录制过程顺利进行。适用于视频拍摄，电影制作，现场录制，广播等场景。

Packing List



- 1 75 Hz high pass filter button / 75Hz低切键
- 2 150 Hz high pass filter button / 150Hz低切键
- 3 +6 dB high frequency boost / +6dB高频增益
- 4 -10 dB PAD / -10dB衰减
- 5 Power button / 电源键
- 6 Built-in Li-ion battery / 内置锂电池
- 7 Foam windshield / 防风棉
- 8 XLR output / XLR输出

- 9 Micro USB input
Micro USB输入
- 10 Mic clip
麦克风支架
- 11 Shock mount
麦克风防震支架
- 12 MicroUSB cable
MicroUSB 充电线
- 13 XLR cable
XLR 输出线

Power Supply

The Soundbird T3L can be powered via

- The built-in lithium battery; or
- 48V phantom power, which is supplied by your camera or recording devices (such as Saramonic SR-PAX2, SR-AX104, SR-AX107.) When phantom power is applied, the built-in battery will not be used, or charged.

Power	by Built-In Battery	by 48V Phantom Power	Low Power
Power Indicator	Blue Light	Green Light	Red Light

Feature

• -10dB Pad

Attenuates the microphone input to allow for the recording of loud sounds without clipping.

• 75Hz/150Hz High Pass Filter

Reduces low frequency and infrasonic rumble from HVAC systems indoors or street traffic outdoors from over-powering the recording.

• High Frequency Boost

Restores some of the high frequency content that is often lost when a blimp or furry windshield is placed over the microphone and improves the intelligibility of recorded speech.

• High Frequency Boost

The built-in battery supports at least 150 hours operation.

• Battery Indicator

If you would like to check the battery level during recording, double press the Power button, the 5 indicators will show the remaining battery capacity. If 5 indicators are all blue, the battery is full.

• **Supplied with foam windshield, mic clip and shock mount, XLR Cable and MicroUSB charging cable**



For better recording experience, the app-lication SmartRecorder is recommended.

为获得更好的录制体验，推荐使用枫笛 Saramonic 自主研发应用软件 SmartRecorder。



Please follow our WeChat account for more details.
扫描二维码关注枫笛Saramonic微信公众号。

Shenzhen Jiayz Photo Industrial., Ltd
深圳市长丰影像器材有限公司
A16 Building, Intelligent Terminal Industrial Park of Silicon Valley
Power, Guanlan, Longhua District, Shenzhen, China
深圳市龙华区观澜街道大富工业区硅谷动力智能终端产业园 A16 栋

400-613-1096 www.saramonic.com info@saramonic.com

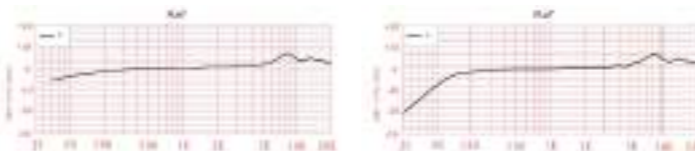
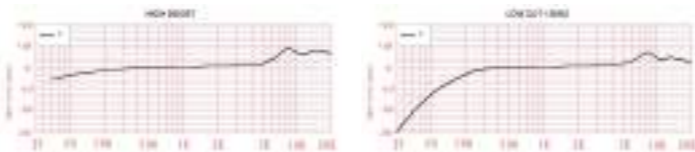
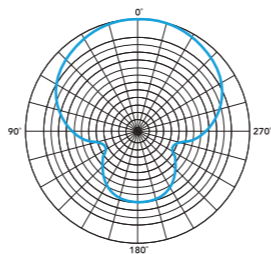
Specification

Directional Pattern	Super-cardioid
Frequency Range	35 to 20k Hz (selectable HPF 75/150 Hz)
Sensitivity	-36±3dB (0dB=1V/Pa,at 1KHz) 1.5V 2.2k
Output Impedance	150 ohm
Dynamic Range	125 dB (per IEC651)
Maximum SPL	110 dB
Signal to Noise Ratio	80 dB SPL (per IEC651)
Power	48V phantom power; built-in lithium battery (battery life:150 hours)
Output Connection	3-pin XLR, balanced output between Pin 2 (+), Pin 3 (-) and Pin 1 (ground)
Dimensions	395*23*23 mm
Weight	222g (7.83 oz.)

Packing List

- Soundbird T3L Microphone
- Micro USB Cable
- SR-SMC1 Mic Clip
- SR-SMC3 Shock Mount
- Foam Windshield
- 60cm (1.9')XLR Cable

POLAR PATTERN



电源指示灯

内置锂电池或48V幻象电源供电

供电方式	内置锂电池	48V幻象电源	低电量
指示灯状态	蓝灯	绿灯	红灯

特点

-10dB衰减

衰减麦克风输入电平，防止输入电平过高导致破音

75Hz/150Hz低切过滤器

减少低频噪音的收录，如空调，街道车声等。

高频增益功能

佩戴防风毛的过程中，部分高频声无法收录；开启高频增益功能，录制清晰的声音。

可充电内置锂电池

150小时工作时长

电量指示灯

如果在录像过程中想查看电池电量，双击电源按钮，5个指示灯将显示剩余电量。满电量：5个指示灯全为蓝色。

配备防风棉，麦克风支架，防震架，XLR输出线，MicroUSB充电线

参数

拾音模式	超心型
频率响应	35-20kHz (低切功能 75/150 Hz)
灵敏度	-36 ± 3dB (0dB=1V/Pa,at 1KHz) 1.5V 2.2k
输出阻抗	150 ohm
动态范围	125 dB (根据 IEC651)
最大声压级	110 dB
信噪比	80 dB SPL (根据 IEC651)
供电方式	48V幻像电源；内置锂电池（电池寿命：150小时）
输出接口	3针卡农口
尺寸	395 × 23 × 23 mm
重量	222g

包装清单

- Soundbird T3L麦克风
- Micro USB线
- SR-SMC1麦克风支架
- SR-SMC3麦克风防震架
- 防风棉
- 60厘米XLR线