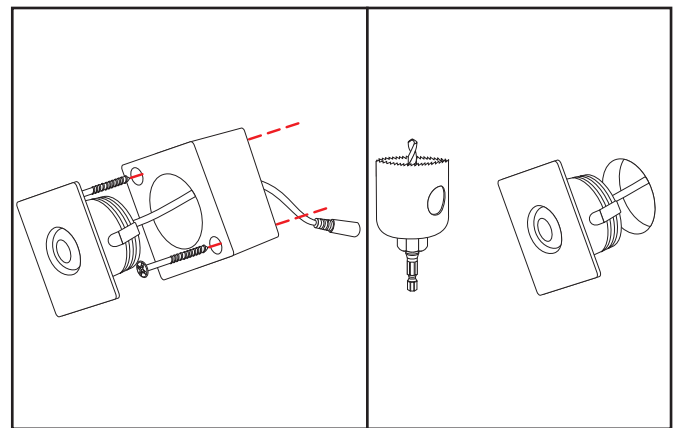
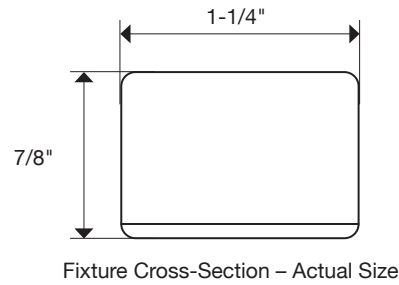




Brushed Aluminum fixture shown
L-MS-CL-1BA-30



Surface mount

Or recess mount

LOWER LIGHT OUTPUT – 1.32 WATTS PER FIXTURE

PART NUMBER	DESCRIPTION	DIMENSIONS	LUMENS PER FIXTURE Based on 4000K (approx. per fixture)	TOTAL WATTS PER FIXTURE	KELVIN TEMPERATURE
L-MS-CL-1BA- Temp	Mini LED puck light designed for surface or recess mount	1-1/4" x 1-1/4" x 7/8"	105	1.32	2700K (27) 3000K (30) 4000K (40) 5000K (50)

Blue indicates customer choice. Temp indicates Kelvin Temperature.

L-MS-CL-1BA-30 (Example part number for Mini Square Series puck light in 3000K)

INSTALLATION COMPONENTS

PART NUMBER	DESCRIPTION	OUTSIDE DIAMETER
T-CW20G-STR-25	25 ft. spool of 20/2 AWG stranded wire	9/64"
T-CW20G-STR-50	50 ft. spool of 20/2 AWG stranded wire	9/64"
T-CW20G-STR-100	100 ft. spool of 20/2 AWG stranded wire	9/64"
T-CW20G-STR-1	20/2 AWG stranded wire sold per foot	9/64"

FINISH AVAILABLE



Brushed
Aluminum (BA)

FEATURES

- 1 diode per fixture
- Fully assembled fixture with female plug for easy installation
- 90 CRI (Color Rendering Index – true color)
- Simple surface or recess mount installation
- 3-year limited warranty
- Designed for indoor application
- No UV or IR
- 3 foot lead with end female barrel connector
- 30,000 hour LED life at 70% lumen maintenance
- 12 volt DC plug-in or hardwired power supply required (order separately)

APPLICATIONS

- Interior Cabinet
- Display/Accent
- Architectural Niche

TECHNICAL INFORMATION

Series	Mini Square Series
Input Voltage	12 volt DC
Color Temperature (Kelvin)	Warm white 2700K (27) Soft white 3000K (30) Cool white 4000K (40) Daylight white 5000K (50)
CRI (Color Rendering Index)	90+
LED Type	1W Edixeon S High power
Lumens	105 lumens per fixture
Max Run	Refer to power supply specs
Cuttable	No
IP Rating	-----
Dimmable	Not recommended
Rating	cULus Listed
Rated Life	30,000 hrs
LED Beam Angle	60°
LEDs Per Fixture	1
Mounting	Surface or Recess Mount
Recess Mount Hole	1-3/16" hole saw
Wiring	20/2 stranded
Operating Temperature	-13°F to 104°F (-25°C to 45°C)
Environment	Dry location
Construction Material	Aluminum
Warranty	3 years

COMPATIBLE POWER SUPPLIES

PART NUMBER	DESCRIPTION	DIMENSIONS
T-12W-12V-PI	12 watt AC/DC 2 prong plug-in, 12 volt DC 1 AMP.	2-15/16" x 1-3/16" x 1-13/16"
T-24W-12V-PI	24 watt AC/DC 2 prong plug-in, 12 volt DC 2 AMP.	3-11/16" x 1-7/8" x 1-5/16"
T-36W-12V-PI	36 watt AC/DC 2 prong plug-in, 12 volt DC 3 AMP	3-3/4" x 2" x 1-5/16"
T-60W-12V-PI	60 watt AC/DC 2 prong plug-in, 12 volt DC 5 AMP	5-1/8" x 2-1/16" x 1-1/4"
T-96W-12V-PI	96 watt AC/DC 3 prong plug-in, 12 volt DC 8 AMP.	5-1/2" x 2-3/8" x 1-3/8"
T-120W-12V-PI	120 watt AC/DC 3 prong plug-in, 12 volt DC 10 AMP	6-3/8" x 2-11/16" x 1-1/4"
T-60W-12-WP-HW	60 watt, 12 volt IP67 rated waterproof LED hardwired	6-1/2" x 1-5/8" x 1-1/4"
T-150W-12-WP-HW	150 watt, 12 volt IP67 rated waterproof LED hardwired.	7-3/8" x 2-3/8" x 1-1/2"
T-DT24W-12V-HW	24 watt 12 volt DC dimmable class 2 LED hardwired.	13-3/4" x 3" x 1-5/8"
T-DT48W-12V-HW	48 watt 12 volt DC dimmable class 2 LED hardwired	13-3/4" x 3" x 1-5/8"
T-DT60W-12V-HW	60 watt 12 volt DC dimmable class 2 LED hardwired	13-3/4" x 3" x 1-5/8"
T-DT120W-12V-HW	120 watt 12 volt DC dimmable LED hardwired	15" x 3-1/8" x 2-1/2"
T-WAV-60W-PSR	60 watt AC/DC 2 prong plug-in, 12 volt DC 5 AMP with built in smart LED receiver	7-1/4" x 2-7/8" x 1-5/8"
T-320W-12V-HW	320 watt 12 volt indoor industrial hardwired	8-1/2" x 4-1/2" x 2"

COMPATIBLE SWITCHES

PART NUMBER	DESCRIPTION	DIMENSIONS
T-DSS-30W-IR	Infrared (IR) door sensor switch.	3/8" x 1" x 1-1/4"
T-2HDSS-30W-IR	Infrared (IR) door sensor switch with two heads	3/8" x 1" x 1-1/4"
T-MSS-60W	Motion sensor switch	1/2" x 2-1/4"
T-PSS-60W-IR	Infrared (IR) sensor proximity switch.	2-1/4" x 3/8"
T-TDS-60W	LED touch dimmer.	3/8" x 2" x 2"
T-WSS-60W-IR	Infrared (IR) wave sensor switch	2-1/4" x 3/8"
DVLV-600P-Color	600W Diva slide dimmer.	4.69" x 2.94" x 1.31"
T-RS-BK	On / off round switch	15/16"