

IMPORTANT

- The user should not attempt to service this product. Read all safety and operating instructions before operating this product.
- Retain these instructions for future reference.
- Observe all warnings.
- Follow all operating instructions.
- Do not tamper with the plug under any circumstances.
- Must be used with the power cord supplied with this product.

Cleaning: Before cleaning, be sure to unplug. Clean only as recommended in these instructions. Wipe with a clean dry cloth only. Do not submerge in water or use any liquid when cleaning.

Damage Requiring Service – this product should be serviced by qualified service personnel when:

- The power supply cord or plug has been damaged; or
- Objects have fallen or liquid has been spilled into it; or, the product has been exposed to rain; or
- The product does not appear to operate normally or exhibits a marked change in performance; or
- The product has been dropped or the enclosure damaged.

US FCC Warnings; Changes or modifications to this unit not expressly approved by TOMY, could void the user's authority to operate the equipment. Use only the AC Adapter supplied with the product. Use of any other adapter(s) could damage product and would void warranty.

NOTE: This equipment has been tested and found to comply with the limits of a Class B digital device, pursuant to Part 15 of the FCC Rules. These limits are designed to provide reasonable protection against harmful interference in a residential installation. This equipment generates, uses and can radiate radio frequency energy, and if not installed and used in accordance with the instructions, may cause harmful interference to radio communications. However, there is no guarantee that interference will not occur in a particular installation. If this equipment does cause harmful interference to radio or television reception, which can be determined by turning the equipment off and on, the user is encouraged to try to correct the interference by one or more of the following measures:

- Reorient or relocate the receiving antenna.
- Increase the separation between the equipment and receiver.
- Connect the equipment into an outlet on a circuit different from that to which the receiver is connected.
- Consult the dealer or an experienced radio/TV technician for help.

This device complies with part 15 of the FCC Rules. Operation is subject to the following two conditions: (1) this device may not cause harmful interference, and (2) this device must accept any interference received, including interference that may cause undesired operation. These devices comply with FCC and Industry Canada RF radiation exposure limits set forth for the general population. They must not be operated when co-located with any other antenna or transmitter.

The Class B digital apparatus complies with CAN ICES-5(B)/NMB-5(B).

Visit American Academy of Pediatrics for Safe Sleep tips: <https://www.aap.org/en/patient-care/safe-sleep/>

SAFETY INSTRUCTIONS

⚠️ WARNING:

- This product is not a toy. Do not allow children to play with it.
- To prevent electric shock or strangling by the cord, do not place the unit in, or attach it to, a crib or playpen.
- To reduce the risk of fire or electrical shock, do not open this product or expose this product to:
 - Water and moisture: this product should not be used near water, for example, near a bathtub or sink, in a wet basement or near a swimming pool
 - Heat: this product should be situated away from heat sources such as radiators, heat registers, stoves, or other appliances that produce heat.

⚠️ WARNING:

Strangulation Hazard

- Children have **STRANGLED** in cords.
- Keep cord out of reach of children (more than 3 ft (0.9 m) away).
- This product is not a toy. **DO NOT** allow children to play with it.



the first years®

help@thefirstyears.com / 1-800-704-8697 / www.thefirstyears.com

THE FIRST YEARS name and logo are the trademarks of TOMY, registered in the U.S. and other countries.
© 2023 TOMY, TOMY INTERNATIONAL, 2015 SPRING RD., OAK BROOK, IL 60523 USA.
ALL RIGHTS RESERVED. STYLES AND COLORS MAY VARY. MADE IN VIETNAM. Y7925 230309
DreamRed is the trademark of Solaria Systems, Inc. and is used under license.

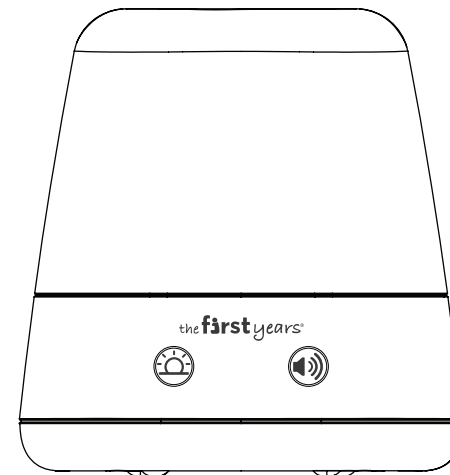
TOMY®

the first years®

SUNSET BABY SOOTHER™

Featuring DreamRed™ Technology

Y7925



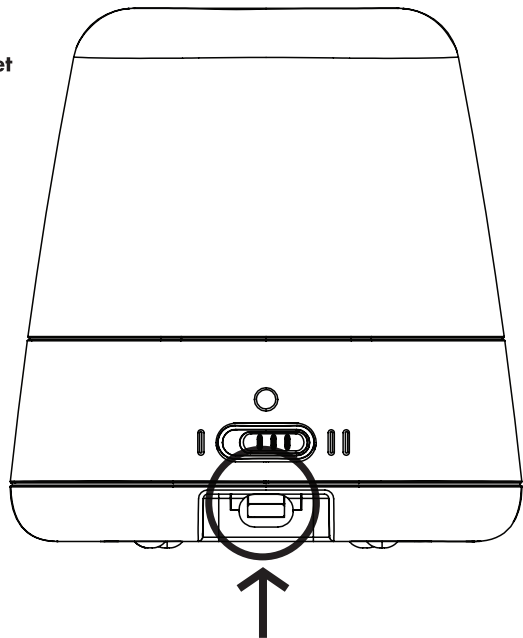
QUICK START GUIDE

Adult Operation Only

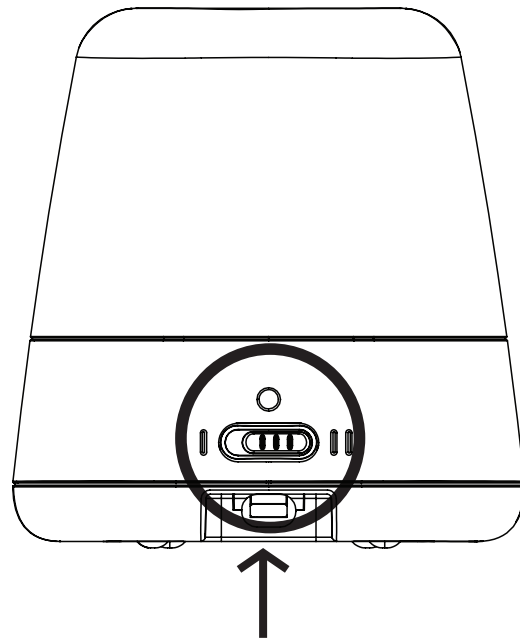
For more information, please visit: www.sunsetsoother.com



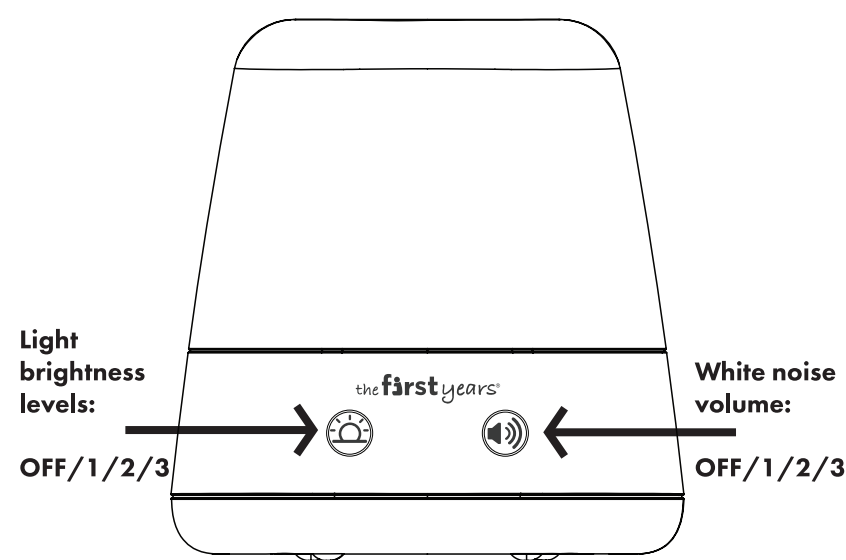
- Contents:**
1 Sunset Baby Soother
1 USB cord
1 Adapter plug
1 Instruction Sheet



1. Connect the provided USB cable to your Sunset Baby Soother and to a compatible outlet plug



**2. To turn light on, use switch on back side of soother
Push left to set "timed sunset" mode
Push right to set "always on" mode
Push to center to turn light off**



3. Select preferred Light and Sound level settings on front side of soother by pushing each button to cycle through the options