

SINCE 1839

**BRINLY**

SINCE 1839

**BRINLY**

# OWNER'S MANUAL

## ***POLY CART, 10 CUBIC FOOT***

*MODEL:*

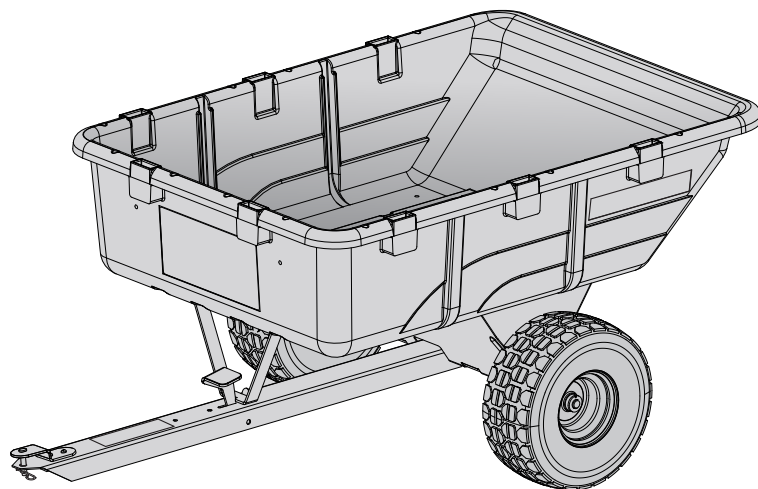
**PCT-101BH**

**PCT-101BHC**

**PCT-101BHC-A**

**PCT-101BHEXP**

- Assembly
- Installation
- Operation
- Repair Parts



This utility cart is designed  
for use with lawn tractors and  
lawn and garden tractors.



**Call Customer Service, Toll-Free: 877-728-8224**

**Visit us on the web!**  
[www.brinly.com](http://www.brinly.com)

**Important:** This manual contains information for the safety  
of persons and property. Read it carefully before  
assembly and operation of the equipment!

# INTRODUCTION AND SAFETY

CONGRATULATIONS on your new Brinly-Hardy Cart! This accessory has been designed, engineered and manufactured to give you the best possible dependability and performance.

Should you experience any problem you cannot easily remedy, please do not hesitate to contact our knowledgeable customer service department toll-free at 1-877-728-8224. We have competent, well trained technicians to help you with the assembly and use of your Cart.



## CUSTOMER RESPONSIBILITIES

- Please read & retain this manual. The instructions will enable to assemble and maintain your product properly.
- Please carefully read and observe the SAFETY SECTION of this manual.
- Follow a regular schedule in maintaining and caring for your Brinly-Hardy product.

## TABLE OF CONTENTS

Introduction, Safety and Required Tools .....	2 - 4
Parts .....	5 - 6
Assembly .....	7 - 12
<b>USE AND CARE</b>	
Operation .....	12 - 14
Adding Side-Stakes .....	14 - 16
Service .....	17
Accessories .....	17
Warranty .....	18

## SPECIFICATIONS

Maximum Towing Speed .....	5 mph
Bed Capacity .....	10 Cu. Ft.
Maximum Load .....	650 lbs
Tire; Size .....	15" x 6"

## TOOLS REQUIRED FOR ASSEMBLY:



- 1/2" Wrench (x2)
- 9/16" Wrench (x2)
- Flat Tip Screw Driver
- Pliers
- Gloves

## SAFETY LABELS



This symbol will help to point out important safety precautions throughout this manual. It means:  
**ATTENTION! BECOME ALERT! YOUR SAFETY IS INVOLVED.**

The safety labels shown in this section are placed in important areas on your product to draw attention to potential safety hazards.

On your product safety labels, the words DANGER, WARNING and CAUTION are used with the safety-alert symbol. DANGER identifies the most serious hazards.

The operator's manual also explains any potential safety hazards whenever necessary in special safety messages that are identified with the word, CAUTION, and the safety-alert symbol.

# SAFETY

## WARNING

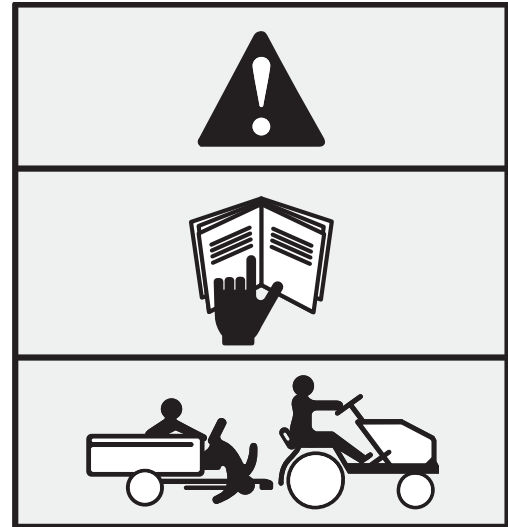


### AVOID INJURY FROM EXPLOSION

- Do not place gas container in cart when filling

### RIDERS CAN FALL OFF AND BE KILLED

- No riders in cart



## GENERAL SAFETY NOTES ( Operation )

Caution should be taken when towing and/or using any attachment. This attachment combined with the weight distribution, turning radius, and speed of towing vehicle can result in severe injury or death to operator, damage to towing vehicle, and/or attachment if not used properly. Follow all towing safety precautions noted in the towing vehicle owner's manual, including the following precautions:

- Ensure the combined weight of the towing vehicle (tow vehicle weight + operator weight) is greater than the maximum towed weight of attachment (empty attachment weight + weight of load).
- Do not exceed maximum towing capacity of towing vehicle.
- Do not exceed the maximum drawbar pull rating of the towing vehicle. Drawbar pull is the horizontal force required to pull the attachment (including weight of load).
- Only tow this product in the vehicle's tow mode/speed setting or less than 5 mph. Do not exceed 5 mph.
- Towing speed should always be slow enough to maintain control. Travel slowly and use caution when traveling over rough terrain. Avoid holes, rocks and roots.
- Slow down before you turn and do not turn sharply.
- Use wide turning angles to ensure the attachment follows the path of the towing vehicle.
- Do not use attachment on steep slopes. A heavy load could cause loss of control or overturn attachment and towing vehicle. Additional weights may need to be added to your vehicle; check with towing vehicle manufacturer for recommendations.
- Reduce towed weight when operating on slopes.
- Keep all movement on slopes slow and gradual. Do not make sudden changes in speed, directions, or turning.
- If you start and stop suddenly on hills, you may lose steering control or the towing vehicle may tip.
- Do not start or stop suddenly when going uphill or downhill. Avoid uphill starts.
- Slow down and use extra care on hillsides. Turf conditions can affect vehicle stability. Use extreme caution while operating near drop-offs.
- Do not drive close to creeks, ditches and public highways.
- Watch out for traffic when crossing near roadways.

# SAFETY

## GENERAL SAFETY NOTES ( Operation )

- Use care when loading or unloading the vehicle into a trailer or truck.
- The attachment can obstruct the view to the rear. Use extra care when operating in reverse.
- When reversing, carefully back-up straight to avoid jackknifing. Do not allow towing vehicle wheels to contact attachment draw bar. Damage could result.
- Stop on level ground, disengage drives, set the parking brake, and shut off engine before leaving the operator's position for any reason including emptying the attachment.
- Use this attachment for intended purpose only.
- This attachment is intended for use in lawn care and home applications. Do not tow behind a vehicle on a highway or in any high speed applications.
- Do not tow at speeds higher than the maximum recommended towing speed.
- Do not tow this product behind a motor vehicle such as a car or truck.
- Always wear substantial footwear. Do not wear loose fitting clothing that can get caught in moving parts.
- Keep your eyes and mind on your towing vehicle, attachment and area being covered. Do not let other interests distract you.
- Stay alert for holes and other hidden hazards in the terrain
- Keep the towing vehicle and attachment in good operating condition and keep safety devices in place.
- The towing vehicle and attachment should be stopped and inspected for damage after striking a foreign object. Any damage should be repaired before restarting and operating the equipment.
- Keep all parts in good condition and properly installed. Fix damaged parts immediately. Replace worn or broken parts. Replace all worn or damaged safety and instruction decals. Keep all nuts, bolts and screws tight.
- Do not modify the attachment or safety devices. Unauthorized modifications to the towing vehicle or attachment may impair its function, safety and void the warranty.

### KEEP RIDERS OFF TOWED ATTACHMENT AND TOWING VEHICLE

- Do not carry passengers.
- Do not let anyone, especially children, ride in/on this attachment, the towing vehicle or hitch bracket.
- Riders are subject to injury such as being struck by foreign object and/or being thrown off during sudden starts, stops and turns.
- Riders may also obstruct the operator's view resulting in this attachment being operated in an unsafe manner.

### TOWING VEHICLE AND TOWING SAFELY

- Know your towing vehicle controls and how to stop safely. **READ YOUR TOWING VEHICLE OWNER'S MANUAL** before operating.
- Check the towing vehicle brake action before you operate. Adjust or service brakes as necessary.
- Stopping distance increases with speed and weight of towed load. Travel slowly and allow extra time and distance to stop.
- Use only approved hitches. Tow this attachment only with a towing vehicle that has a hitch designed for towing. Do not connect this attachment except at the approved hitch point.
- Follow the tow vehicle manufacturer's recommendations for weight limits for towed equipment and towing on slopes. Use counterweights or wheel weights as described in the towing vehicle operator's manual.
- Do not shift to neutral and coast downhill.
- Do not allow children to operate the towing vehicle. Do not allow adults to operate the towing vehicle without proper instruction or without having read the owner's manual.

### PROTECT THOSE AROUND YOU

- Before you operate any feature of this attachment or towing vehicle, observe your surroundings and look for bystanders.
- Keep children, bystanders and pets at a safe distance away while operating this or any attachment.
- Use care when reversing. Before you back up, look carefully behind for bystanders.

### POLY CART SPECIFIC SAFETY INSTRUCTIONS

- Do not tow cart with bed raised.

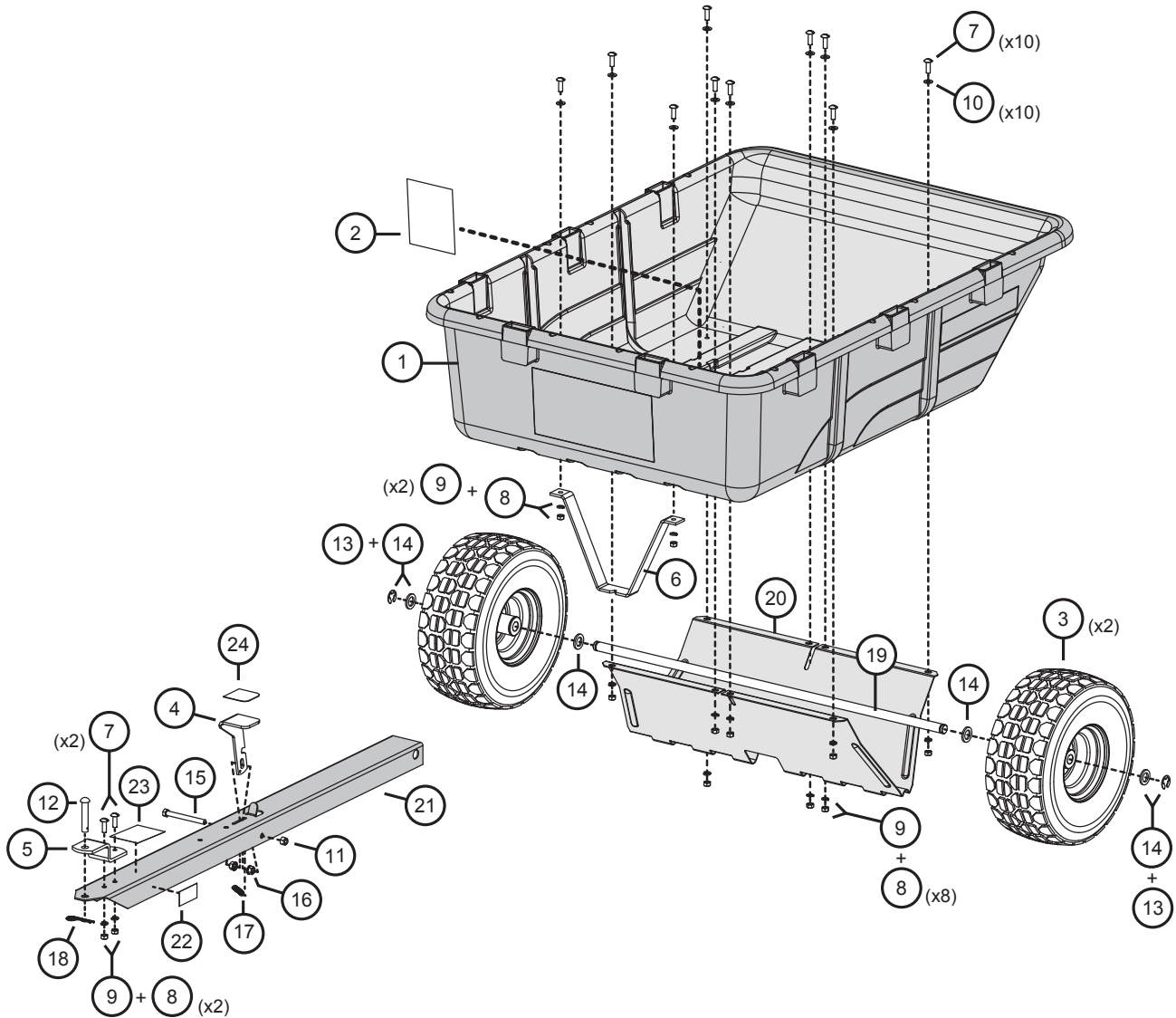
Installation Questions?  
Missing Parts? Replacement Parts?

**DON'T GO BACK TO  
THE STORE!**

Please call our Customer Service  
Department, Toll Free: 877-728-8224  
or [customerservice@brinly.com](mailto:customerservice@brinly.com)



# COMPONENT VIEW AND REFERENCE LIST



Ref.	Description	Part Number	Qty.
1	Poly Bed	1008574	1
2	Warning Label	B-7084	1
3	Wheel	1008575	2
4	Foot Pedal	1008604	1
5	Clevis	B-3034-10	1
6	Lock Bracket	B-3520-10	1
7	Rd. Hd. Screw, 5/16" x 1"	20M1016P	12
8	Hex Nut, 5/16"	30M1000P	12
9	Lock Washer, 5/16"	40M1000P	12
10	Flat Washer, 5/16"	45M1111P	10
11	Hex Lock Nut, 3/8"	B-1675P	1
12	Hitch Pin, 1/2" x 2-1/2"	B-3861	1

Ref.	Description	Part Number	Qty.
13	E Ring, 3/4"	B-4305	2
14	Machine Bushing	B-5606	4
15	Hex Hd Bolt, 3/8" x 3-3/4"	B-6298	1
16	Keps Hex Nut, 3/8"	B-6299	2
17	Latch Spring	B-6300	1
18	Hairpin Cotter, 1/8"	D-146P	1
19	Axle, 3/4" x 34-3/4"	B-4261	1
20	Axle Support	B-4599-10	1
21	Towbar	B-6296-2	1
22	Serial Number Label	L-1744	1
23	Caution Decal	B-5482	1
24	Grip Tape	1008603	1

# HARDWARE IDENTIFIER

Illustrations on this page are to scale for faster identification of hardware during assembly.

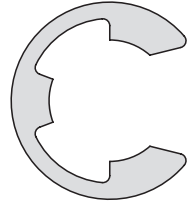
**DO NOT RETURN PRODUCT IF YOU ARE MISSING PARTS.**

Please Call: 1 (877) 728-8224

⑧ Nut: Hex Head  
5/16" -18 (x12) .....  
**30M1000P**



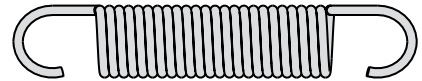
⑬ Retaining Ring, E  
3/4" (x2) .....  
**B-4305**



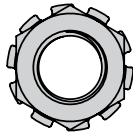
⑪ Nut: Lock  
3/8" -16 (x1) .....  
**B-1675P**



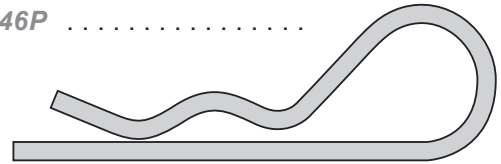
⑰ Spring, Latch (x1)  
**B-6300**



⑯ Nut: Keps  
3/8" (x2) .....  
**B-6299**



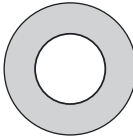
⑱ Hitch Pin Cotter (x1)  
**D-146P** .....



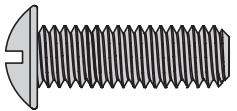
⑨ Washer: Lock  
5/16" (x12) .....  
**40M1000P**



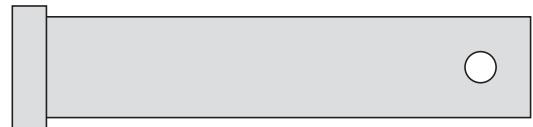
⑩ Washer: Flat  
5/16" (x10) .....  
**45M1111P**



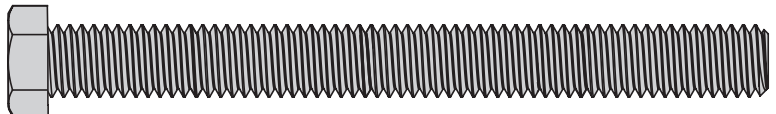
⑦ Screw: Round Head 5/16 x 1" (x12) .....  
**20M1016P**



⑫ Hitch Pin: 1/2" x 2 1/2" (x1) .....  
**B-3861**



⑮ Bolt: Hex Head  
3/8 x 3 3/4" (x1) .....  
**B-6298**



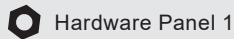
## EXTRA PARTS:

**A few extra parts will be leftover that are not used on this model.**  
( 3/4" Nylon Washer - Qty. 4 ) and ( 3/8" Special Washer - Qty. 2 )

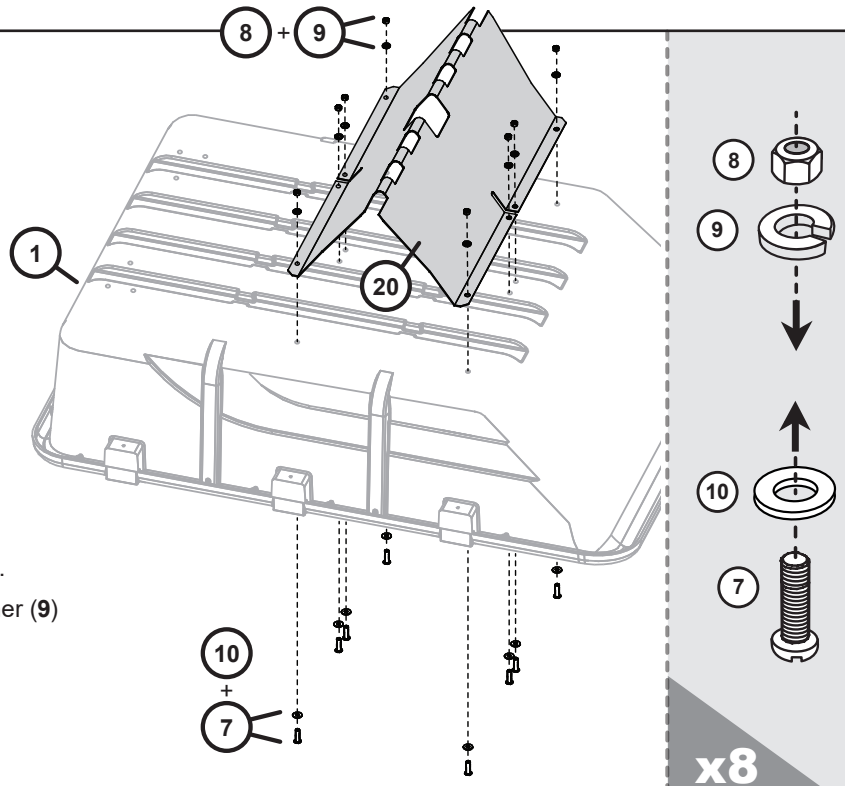
# ASSEMBLY

## Assembly Step 1

### Install Axle Support

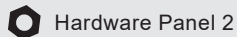


1. Position the Axle Support (20) over slotted holes over the cart bed (1).
2. Secure in place from inside the cart bed (1) with one 5/16 x 1" Round Head Screw (7), and 5/16" Flat Washer (10).  
From the outside, add one 5/16" Lock Washer (9) and one 5/16" Hex Head Nut (8), as shown.  
Add all eight screws as illustrated.
3. Do **NOT** tighten nuts fully (yet).

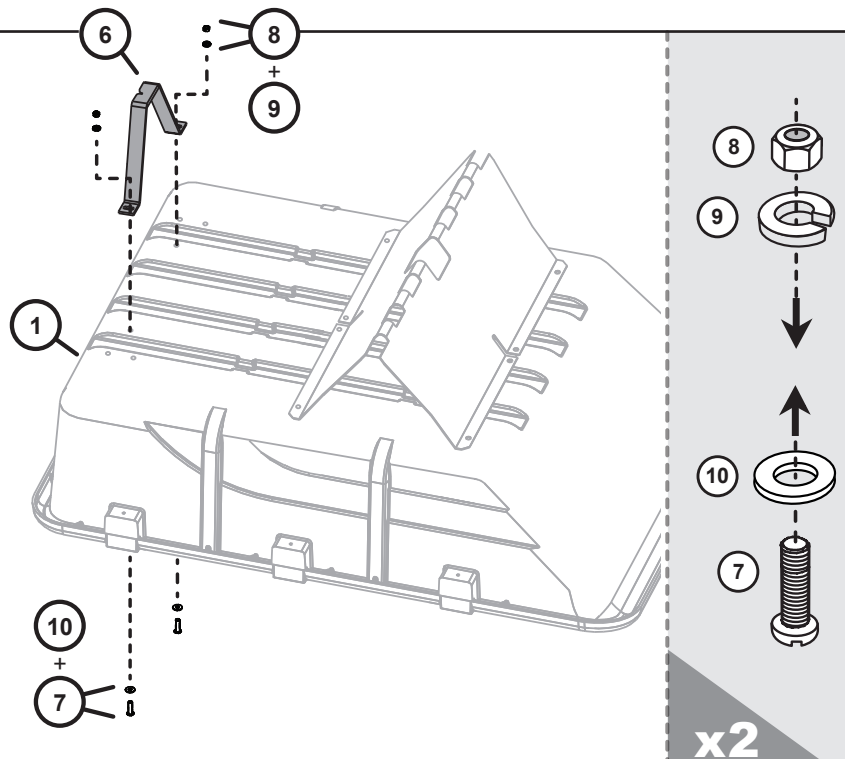


## Assembly Step 2

### Install Lock Bracket



1. Position the Lock Bracket (6) over the bed, as shown.
2. Secure the bracket (6) from inside the cart bed (1) with one 5/16 x 1" Round Head Screw (7), and 5/16" Flat washer (10).  
From the outside, add a 5/16" Lock Washer (9) and one 5/16" Hex Nut (8). Add the second screw similarly, as illustrated.
3. Do **NOT** tighten nuts (yet).



Please disregard the extra washers in Hardware Panel 2, they are for a different model.

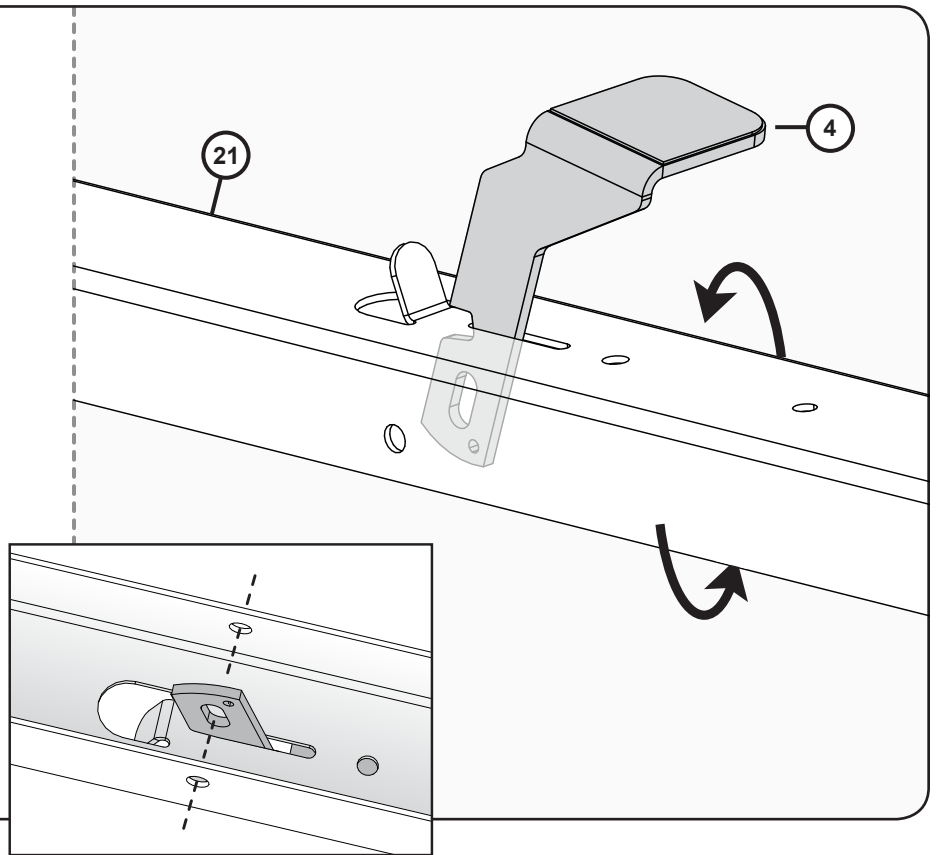
# ASSEMBLY

## Assembly Step 3-A


1. Align the cart foot pedal (4) through slot in drawbar (21) with the notch in the foot pedal oriented towards the raised tongue on the drawbar.

See illustration.

2. While holding the foot pedal (4) in place, flip the drawbar (21) over.



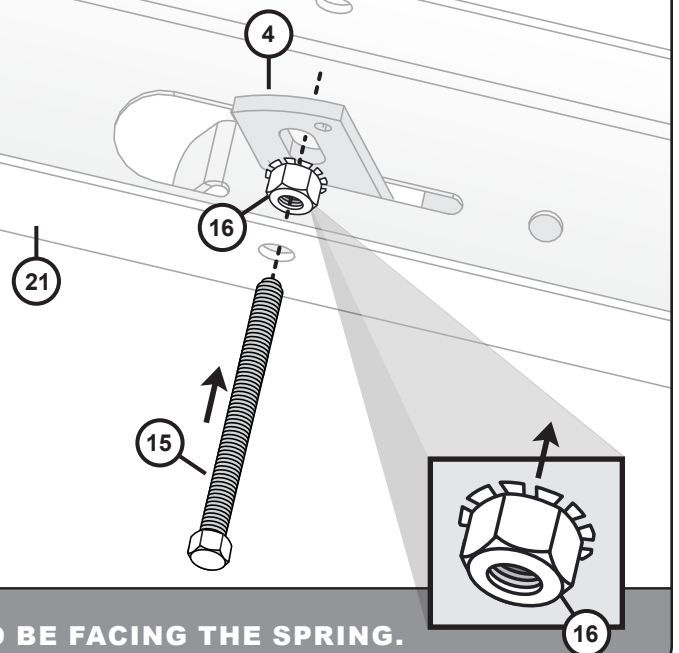
## Assembly Step 3-B

 Hardware Panel 3

Begin to slide the 3/8 x 3-3/4 in. bolt (15) through the drawbar (21).

Between the drawbar and the foot pedal (4), add one 3/8 in. keps nut (16) to the bolt (15) as illustrated.

*NOTE: Foot pedal can be adjusted slightly while installing bolt (15). This will help to align the bolt with the hole on the other side of the drawbar.*




**STARRED EDGE OF THE WASHER NEEDS TO BE FACING THE SPRING.**



# ASSEMBLY

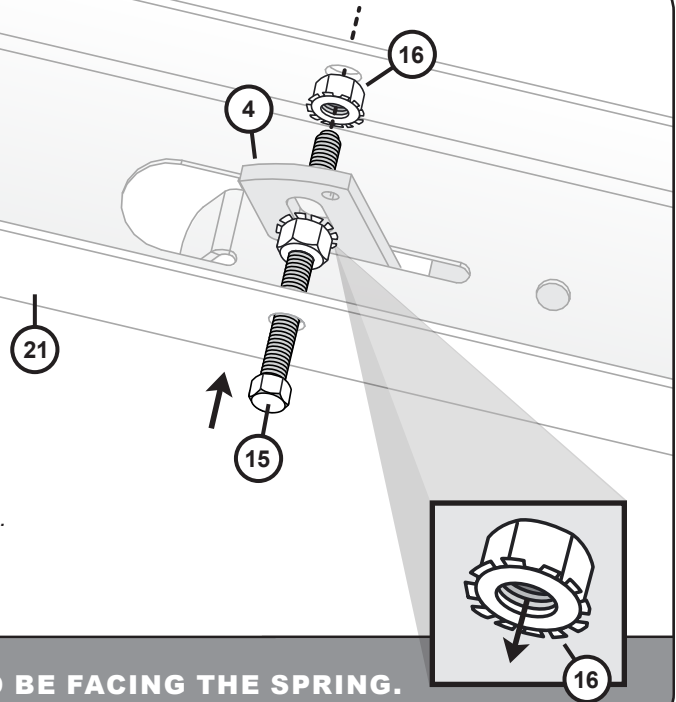
## Assembly Step 3-C

 Hardware Panel 3

Continue running the 3/8 x 3-3/4 in. bolt (15) through the foot pedal (4).


Between the foot pedal (4) and drawbar, add one 3/8 in. keps nut (16) to the bolt (15) as illustrated. Finally, run the end of the bolt (15) through the other side of the drawbar (21).

*NOTE: Foot pedal can be adjusted slightly while installing bolt (15). This will help to align the bolt with the hole on the other side of the drawbar.*

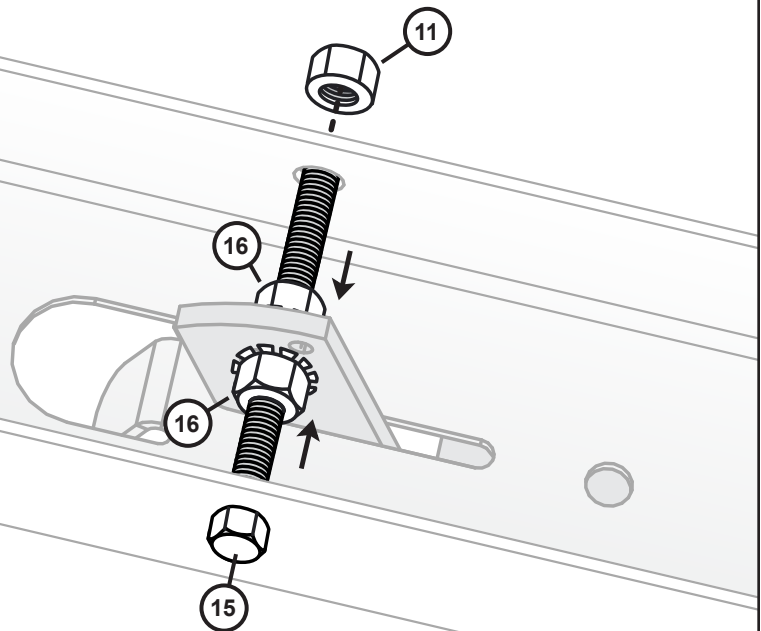


**STARRED EDGE OF THE WASHER NEEDS TO BE FACING THE SPRING.**

## Assembly Step 3-D


 Hardware Panel 3

1. On the outside of the drawbar, add bolt (15) with a 3/8 in. hex head locking nut (11) so that the foot pedal moves forward and backward freely.
2. Tighten nuts (16) toward the spring, but allow movement.



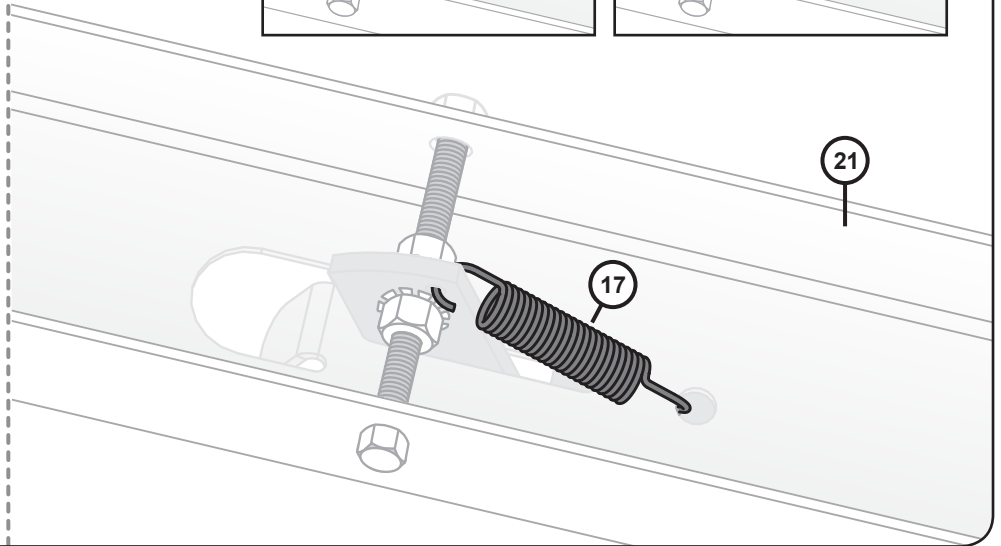
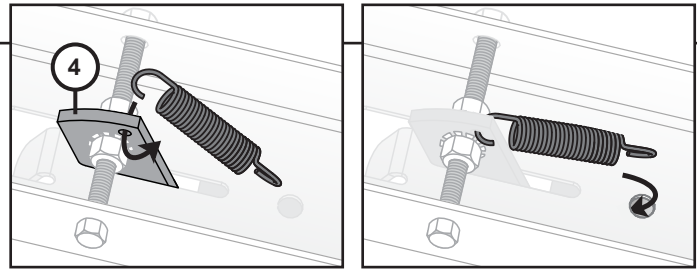
# ASSEMBLY

## Assembly Step 4

 Hardware Panel 4


Hook one end of the latch spring (17) through the small hole at the base of the foot pedal (4).

Hook the other end of the latch spring (17) through the drawbar (21) as illustrated.



## Assembly Step 5

**Install Clevis**

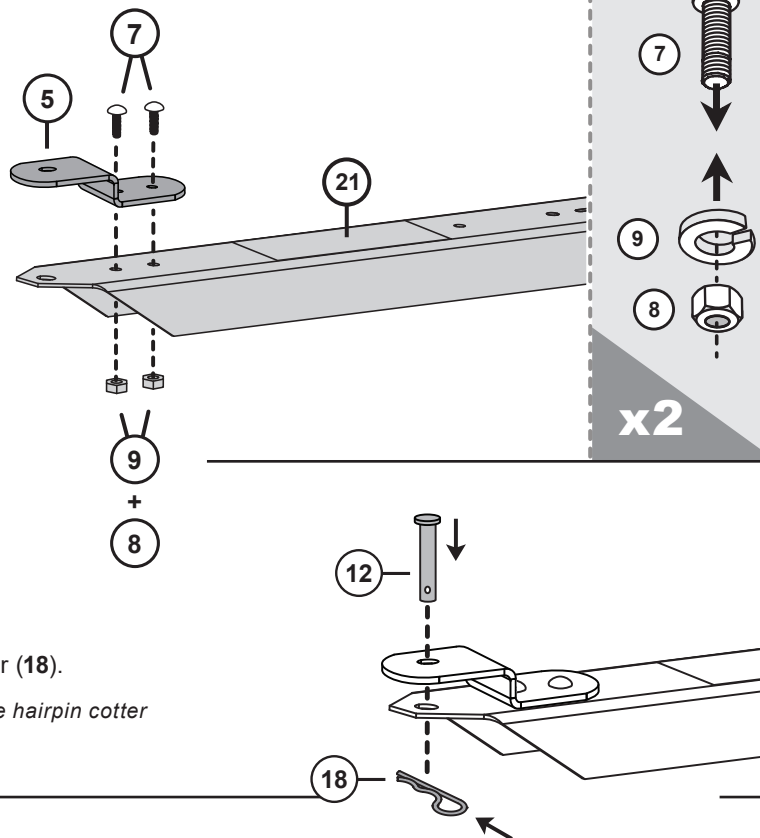
 Hardware Panel 5

1. Position clevis (5) on the cart drawbar (21) as illustrated.
2. Slide two 5/16 x 1 in. round head screws (7) through the clevis (5) and the drawbar (21).

Secure beneath the drawbar (21) with two 5/16 in. lock washers (9) and 5/16 in. nuts (8).

3. Install the hitch pin (12) through clevis and cart drawbar. Secure beneath with 1/8 in. hairpin cotter (18).

*NOTE: For initial use, you may need to tap or push the hairpin cotter into place by applying some pressure with a tool.*



# ASSEMBLY

## Assembly Step 6

- A. Align the drawbar (21) as illustrated here.

*NOTE: Tighten all hardware installed on Steps 1 and 2.*

- B. Align and start running the axle (19) through the first three slots of the Axle Support (20).

Push the Axle (19) through the holes at the base of the drawbar (21), then continue through the rest of the Axle Support (20).

*NOTE: A light coating of grease or oil on axle will aid in inserting the axle through the axle support.*

### Hardware Panel 6

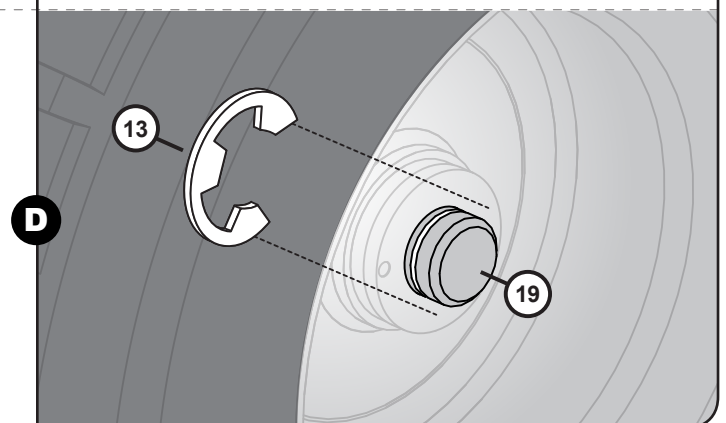
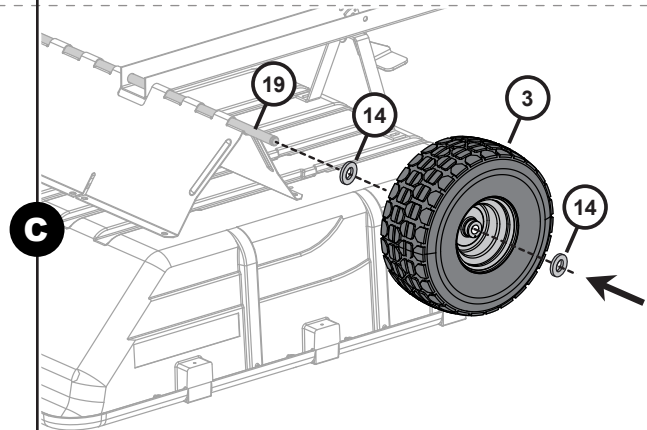
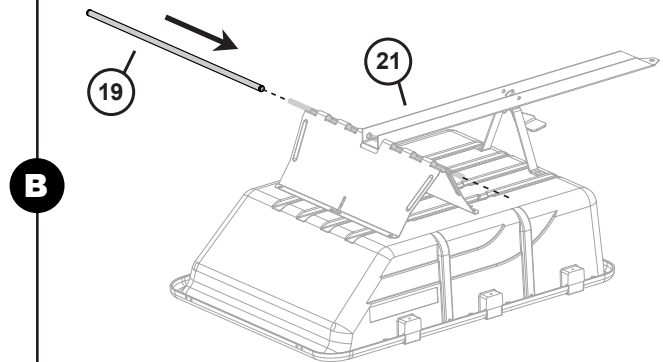
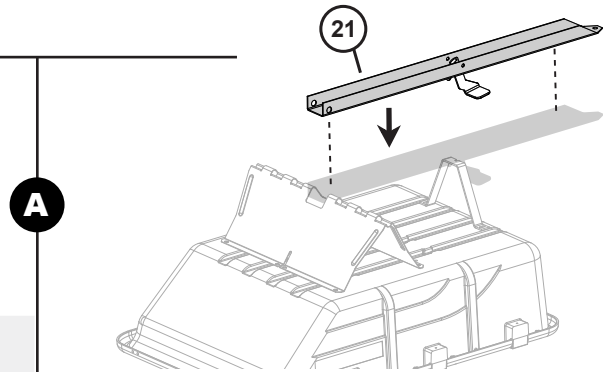
- C. Slide a 3/4" bushing (14) on the end of the axle (19). Then, add a wheel (3) followed by another 3/4" bushing (14) on the end of the axle.

*Please disregard the extra bushings in Hardware Panel 6, they are for a different model.*

- D. Secure the wheel in place by sliding a retaining ring (13) into the slot on the end of the axle.

*NOTE: You may need to tap or push the retaining ring into place by applying pressure with a tool.*

- E. Repeat Steps 6-C and 6-D with the second wheel, on the other end of the axle.

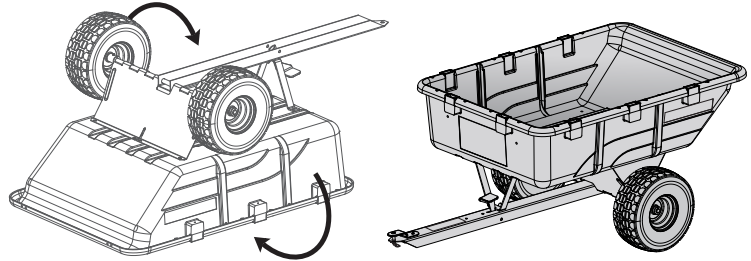


*Please disregard the extra bushings in Hardware Panel 6, they are for a different model.*

# ASSEMBLY

## Assembly Step 7

Gently flip the cart over.

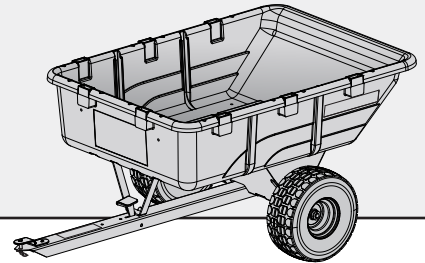


Assembly is complete!

## USE AND CARE

MODEL:

### **PCT-101BH CART USE & CARE SECTION**



## SPECIFICATIONS

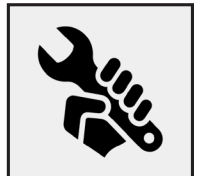
Cart Bed Capacity . . . . . 10 cu ft

Maximum Towing Speed . . . . . 5 mph

**DIMENSIONS** . . . . . Length: 67.00"  
Width: 38.00"  
Height: 27.25"

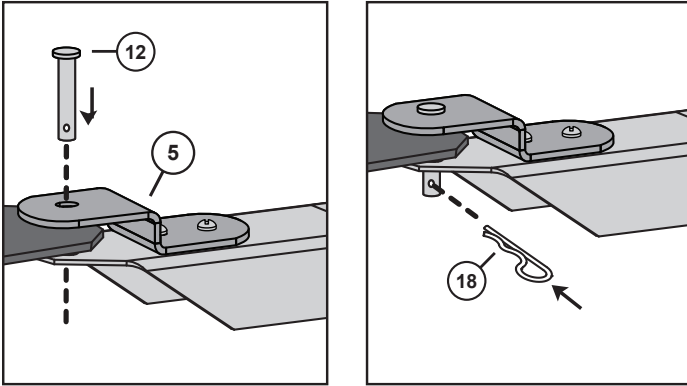
## MAINTENANCE

- The key to years of trouble-free service is to keep your Cart clean and dry.
- After the first 30 minutes of use, check all fasteners for tightness.
- Thereafter, periodically check all fasteners for tightness.
- Unauthorized modifications to the cart may impair its function and safety.
- Occasionally check all moving parts for free movement and, if necessary, lubricate with oil.
- For rust appearing on painted surfaces, sand lightly and paint affected area with enamel.
- Wheels are fitted with oil impregnated bushings. If additional lubrications is needed, grease can be applied through the zerk grease fitting located on the inside of the rim.



# USE AND CARE

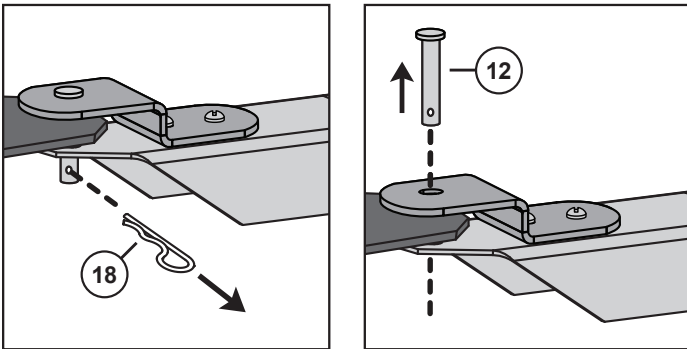
## INSTALLING THE CART



**CAUTION: AVOID INJURY!** Keep body parts away from under Drawbar and Bed.

1. Park towing vehicle safely using the parking brake (See *towing vehicle operator's manual*).
2. Align Cart Clevis (5) with towing vehicle hitch plate.
3. Install Hitch Pin (12) through Clevis (5) and towing vehicle hitch plate. Secure Hitch Pin (12) with Hairpin Cotter (18).

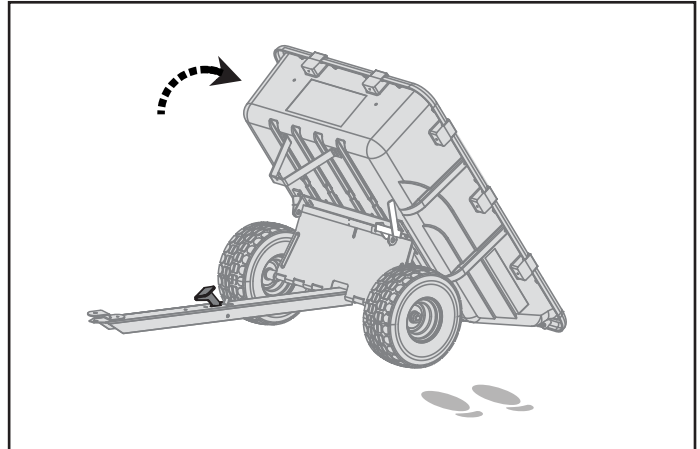
## REMOVING THE CART



**CAUTION: AVOID INJURY!** Keep body parts away from under Drawbar. Do not attempt to disconnect Cart from towing vehicle with weight in the Bed.

1. Park towing vehicle safely and set the parking brake (See *towing vehicle operator's manual*).
2. Confirm Bed is not loaded.
3. Remove Hairpin Cotter (18) and Hitch Pin (12) from Clevis (5). Push Cart away from the towing vehicle.
4. Reinstall Hitch Pin (12) and Hairpin Cotter (18) to Clevis (5) for storage.

## UNLOADING THE CART



**CAUTION:** Take care when dumping the Bed. An unevenly distributed load in the Bed could cause the Bed to dump quickly (Example: load set at rear of cart).



**CAUTION:** To avoid injury, never disengage Foot Pedal with hand. Always use foot to disengage Foot Pedal while keeping body parts clear of bed.



**CAUTION: AVOID INJURY!** Keep body parts away from under Bed when dumping or closing.

1. Park towing vehicle safely and set the parking brake (See *towing vehicle operator's manual*).
2. Depress Foot Pedal with foot.
3. Raise the bed carefully into the full dump position.
4. Once empty, close Bed fully onto the Drawbar.
5. Keep body parts from under the Bed when closing.
6. Confirm Foot Pedal has engaged with the Bed Lock Bar.

## STORAGE

### CART SHOULD BE STORED IN A DRY PLACE.

- Cart should be stored with the bed closed and locked in position.
- Drawbar is a trip hazard. Avoid leaving Drawbar in aisle ways and walking paths.

# USE AND CARE

## WEIGHT CAPACITY



Maximum load for cart is 650 lbs.

### AVOID OVERFILLING THE CART

This can cause the towing vehicle to lose traction and skid. The towing vehicle and operator combined weight **MUST BE** more than loaded cart weight for **PROPER** towing and braking.

Extremely heavy loads will be difficult to dump. Fill cart to a capacity that is comfortable for you to dump.

The following maximum loaded weight capacity is the weight of the Cart plus the maximum weight loaded into the Cart Bed:

MODEL	WEIGHT
PCT-101BH	75 lbs <i>(empty)</i>
Maximum capacity	650 lbs
Maximum Towed Weight	725 lbs



**CAUTION:** Weight of towing vehicle and operator **MUST BE MORE** than the weight of cart and load.

### EXAMPLE:

If Towing Vehicle weighs:	500 lbs
Add Your Weight:	200 lbs
Combined Weight Equals:	700 lbs

To maintain stability using the cart in this example, you cannot safely tow more than 700 lb (or 625 lbs of material) without first adding ballast to the towing machine.

Use correct number of weights on towing vehicle. If additional weight is required, add this weight at or forward of the rear wheels. Additional weight rearward of rear wheels causes a negative affect on vehicle steering.

Observe terrain and take care when loading the cart bed. Risk is increased on slippery, uneven or sloped terrain. An unsafe load on dry, level ground may cause the tractor to lose traction and skid on slippery or sloped ground.

Keep riders out of cart.

## DIY: DIRECTIONS FOR CUSTOM-BUILT SIDE STAKES

### SAFETY NOTES:

- Read and follow the operating instructions for your machine and your Brinly Poly Cart.
- The stake side kit is for transporting light debris only, such as leaves, straw, and sticks.
- Do not load material higher than the top of the stake side rails.
- Do not use the stake side rails to increase the weight capacity of your cart. (*Refer to your cart manual for cart weight capacity*).
- To minimize cart tip hazard, do not load heavy material like sand or firewood above the top of the cart bed.
- Distribute the load evenly for safe travel and for unloading the cart.
- Do not reach through the stake side rails with hands, arms, or head as these could become caught and cause injury.
- Do not let children or any untrained person operate the machine. Do not let anyone especially children ride on or in the cart during operation. Riders can be subject to injury from foreign objects and being thrown off the cart. Riders can also obstruct the operators view resulting in the machine being operated in an unsafe manner.
- Do not secure loads to the stake side rails. Securely anchor all loads to the cart bed to prevent them from shifting and breaking the stake side rails.
- Do not use the stake side rails as a ladder, platform, or table.
- When using the stake side rails be sure to use all three sides together. Do not use only one side or just two sides.
- Inspect wood for rot and fasteners for rust before use and replace rotted, rusted, or worn parts as needed.

# USE AND CARE

## DIY: DIRECTIONS FOR CUSTOM-BUILT SIDE STAKES, *Continued*

### SHOPPING LIST / MATERIALS NEEDED:

Ref. Description: Qty.

#### Long Pressure Treated Wood:

1	1" x 2" x 13-1/2"	8
2	1" x 4" x 33-1/2"	2
3	1" x 4" x 42-1/4"	4

#### Hardware:

4	1/4"-20 x 2" Pan Head Bolt	20
5	1/4" Fender Washer	40
6	1/4"-20 Nylon Locking Hex Nut	20
7	#10 x 1" Wood Screw	8

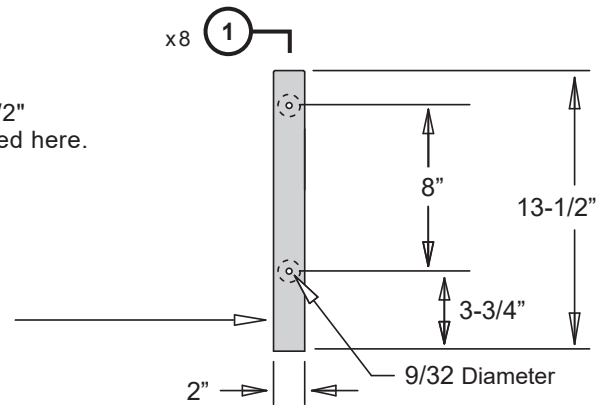
#### Material Notes:

- It is recommended that all fasteners are plated grade 5.
- All material listed can be purchased at a standard hardware store.

### Step 1.

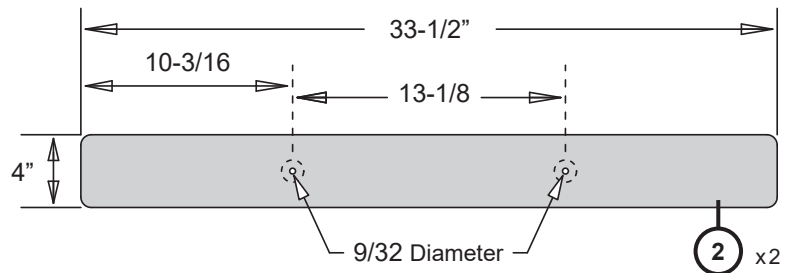
Drill two 9/32" holes in each 13-1/2" side stake (1), located as illustrated here.

Sand down the 3/4" thickness of each side stake (1) for a slip fit into the cart pocket to reduce the risk of cracking the pocket at rail installation.



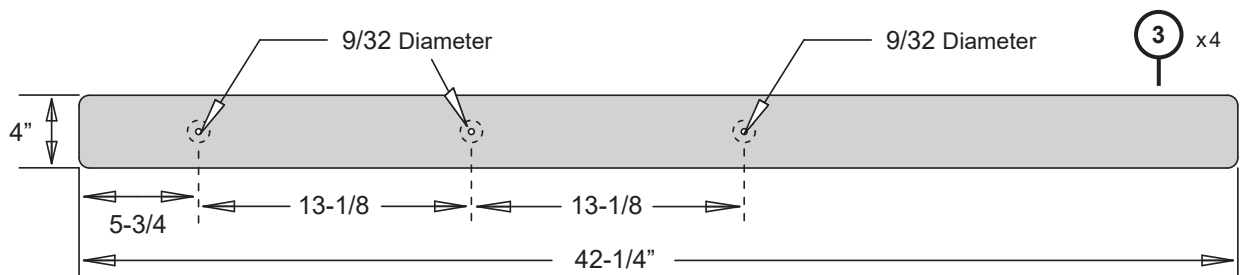
### Step 2.

Drill two 9/32" holes in each of the 33-1/2" wood panels for part (2). Holes must be aligned as illustrated here:



### Step 3.

Drill three 9/32" holes in the 42-1/4" wood panels for part (3). Holes must be aligned as illustrated here:



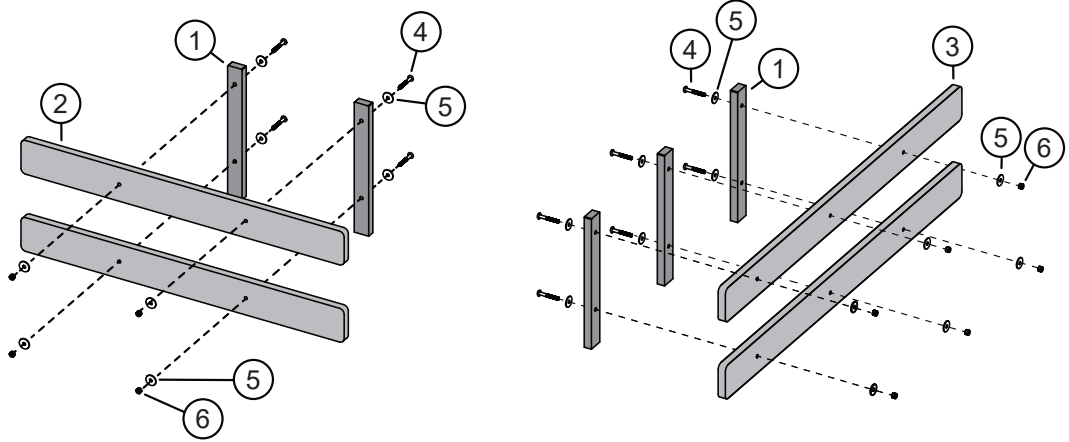
# USE AND CARE

## DIY: DIRECTIONS FOR CUSTOM-BUILT SIDE STAKES, *Continued*

### Step 4.

#### Building the Stake Side Rails

Assemble the side stakes as illustrated here.

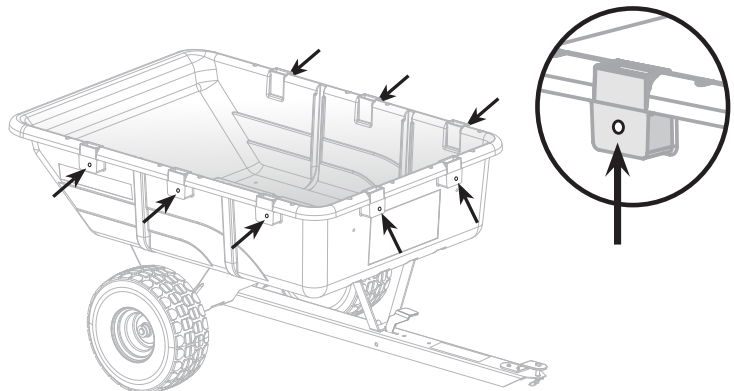


### Step 5.

#### Drilling Location *(if needed)*

Some cart pockets may have a hole provided at the base of each pocket **OR** a 1/8" diameter hole from the outside of the cart pocket into the Stake Side Rail.

NOTE: *The hole must be centered right to left on the cart pocket and 1-3/4" up from the pocket bottom.*

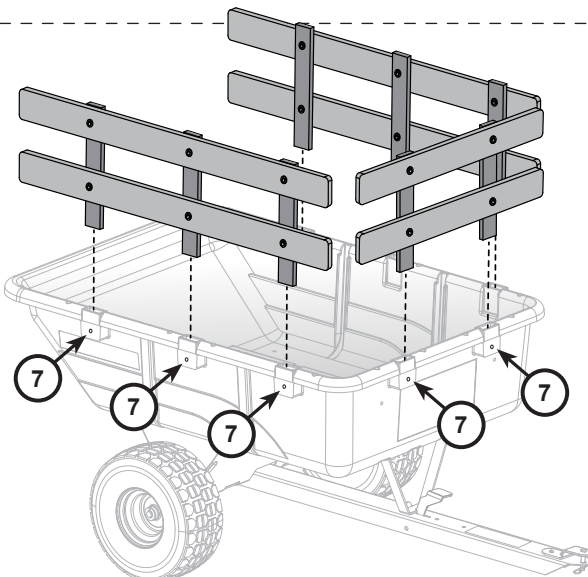


### Step 6.

#### Securing the Stake Side Rails

Slide the assembled stake rails in place, as illustrated here.

Using the existing or previously drilled holes, secure each rail to your cart with a #10 x 1" wood screw (7).





# USE AND CARE

## SERVICE



### QUALITY CONTINUES WITH QUALITY SERVICE

If you have installation questions, are missing parts or need replacement parts, don't go back to the store!

Please find your product serial number and model number, then contact our Customer Service department:



In North America and Canada call  
Toll-Free: **877-728-8224**



Chat online: **www.brinly.com**



Email: **customerservice@brinly.com**

## ONLINE

### BRINLY.COM

Additional info and videos are available on our website. Please visit the URL above OR scan this QR code.

PCT-101BH



## NOTES

---

---

---

---

---

---

---

---

---

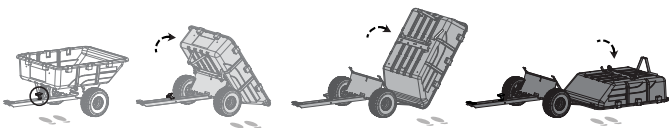
---

## OPTIONAL ACCESSORIES

### 180-Degree Full Dump Kit

FDK-10BH

This easy-to-install conversion kit upgrades a standard Brinly 10P Cart to a full 180° dump, ensuring unloading is always a breeze.



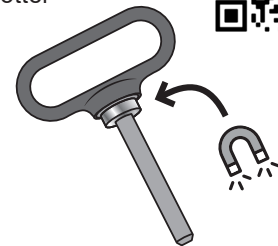
### Magnetic Hitch Pin

MHPK-12BH

This quick-connect magnetic hitch pin can replace a regular cotter pin for an extra-strong, convenient upgrade.



- Diameter: 1/2"
- Pin Length: 3"



NOTE: Additional accessories are also available in our Parts Store online: [shop.brinly.com](http://shop.brinly.com)



MANUFACTURER'S LIMITED WARRANTY  
**CARTS**

*The limited warranty set forth below is given by Brinly-Hardy Company with respect to new merchandise purchased and used in the United States (its possessions and territories) and Canada.*

Brinly-Hardy Company warrants the products listed below against defects in material and workmanship, and will at its option, repair or replace, free of charge, any part found to be defective in materials or workmanship. This limited warranty shall only apply if this product has been assembled, operated, and maintained in accordance with the Operator's manual furnished with the product, and has not been subject to misuse, abuse, commercial use, neglect, accident, improper maintenance, alteration, vandalism, theft, fire, water, or damage because of other peril or natural disaster.

Parts found to be defective within the warranty period will be replaced at our expense. Our obligation under this warranty is expressly limited to the replacement or repair, at our option, of parts found to be defective in material and workmanship.

**HOW TO OBTAIN SERVICE:** Warranty parts replacements are available, only with proof of purchase, through our Customer Service Department. Call 877-728-8224.

**This limited warranty does not provide coverage in the following cases:**

- a. Routine maintenance items such as lubricants & filters.
- b. Normal deterioration of exterior finish due to use or exposure.
- c. Transportation and/or labor charges.
- d. The warranty does not include commercial and/or rental use.

**No implied warranty, including any implied warranty of merchantability of fitness for a particular purpose, applies after the applicable period of express written warranty above as to the part as identified below. No other express warranty whether written or oral, except as mentioned above, given by any person or entity, including a dealer or retailer, with respect to any product, shall bind Brinly-Hardy Co. During the period of the warranty, the exclusive remedy is repair or replacement of the product as set forth above.**

**The provisions as set forth in this warranty provide the sole and exclusive remedy arising from the sale. Brinly-Hardy Co. shall not be liable for incidental or consequential loss or damage including, without limitation, expenses incurred for substitute or replacement lawn care services or for rental expenses to temporarily replace a warranted product.**

Some states do not allow the exclusion or limitation of incidental or consequential damages, or limitations on how long an implied warranty lasts, so the above exclusions or limitations may not apply to you.

During the warranty period, the exclusive remedy is replacement of the part. In no event shall recovery of any kind be greater than the amount of the purchase price of the product sold. Alteration of safety features of the product shall void this warranty. You assume the risk and liability for loss, damage, or injury to you and your property and/or to others and their property arising out of the misuse or inability

to use this product. *NOTE: This limited warranty shall not extend to anyone other than the original purchaser or to the person for whom it was purchased as a gift.*

This limited warranty lasts as long you own your product purchased from an authorized seller. **Coverage terminates once you sell or otherwise transfer the product.**

This limited warranty does not cover any purchaser other than the original purchaser of the product, nor does it cover any product purchased from an unauthorized third-party. If you are not the original purchaser of this product, your product is not covered by our limited warranty and you take the product "AS IS" and "with all faults."

We may require proof of purchase from you demonstrating that you are the original purchaser of the product, purchased the product from an authorized dealer, and are eligible to make a valid claim under this limited warranty.

**How state law relates to this warranty:** This limited warranty gives you specific legal rights, and you may also have other rights which vary from state to state.

**IMPORTANT:**

The Warranty period stated below begins with the proof of purchase. Without the proof of purchase, the Warranty period begins from the date of manufacture determined by the serial number manufacturing date. All parts replaced under warranty will be considered as part of the original product, and any warranty on the replaced parts will expire coincident with the original product warranty.

**WARRANTY PERIOD:**

*See applicable parts listed below.*

**Standard / Residential Use:**

- Steel Frame & Steel Parts . . . . . 2 years
- Cart Bed . . . . . 2 years
- Tires / Wheels . . . . . 90 days

*All other normal wear parts or component failures will be covered on this product for a period of 90 days.*

*If this equipment is being used in a commercial application and / or for multiple properties, the warranty is 90 days after purchase for all parts.*