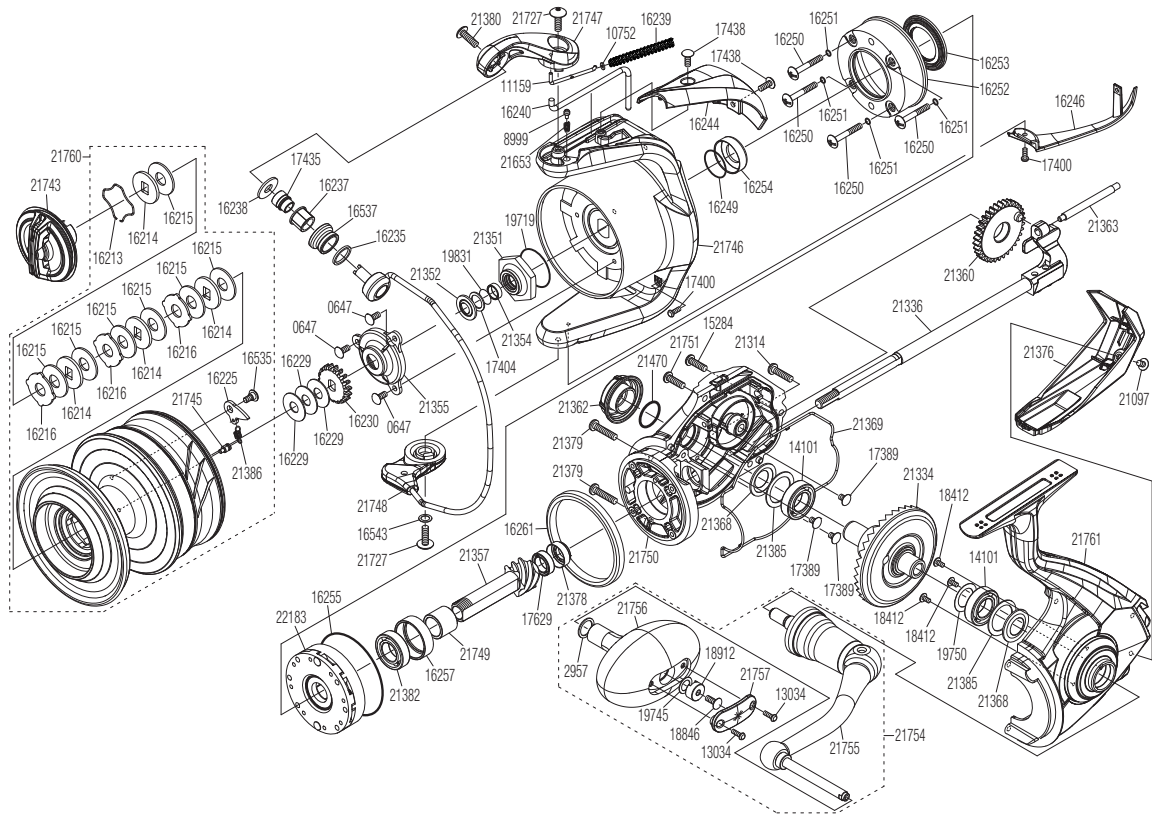


SHIMANO

SPHEROS

SP-SW20000PG



Please note that the number of adjusting washers may not always be the same as shown in the exploded views.

(51SF53Y201X)

Please note that your actions take full responsibility when you take it apart.

#	Part No.	Description	#	Part No.	Description	#	Part No.	Description
0647	10QG5	Screw	16543	10G4W	Washer	21385	10BGH	Washer
2957	10PDB	Washer	17389	10LHN	Screw	21386	10PH2	Drag Click Spring
8999	10HEA	Click Pin	17400	10L1S	Screw	21470	10R22	O Ring
10752	10TYE	Spring Guide A Support Collar	17404	10GR8	Washer	21653	10HEL	Click Spring
11159	105LV	Bail Spring Guide A	17435	10R3S	Collar	21727	10TXJ	Screw
13034	103NJ	Screw	17438	10LFF	Screw	21743	10SK4	Drag Knob Assembly
14101	104PW	Ball Bearing	17629	10EX6	Ball Bearing	21745	109HJ	Click Spring Pin
15284	10M70	Screw	18412	10LCT	Screw	21746	10SWV	Rotor
16213	10B8Q	Retainer	18846	10T7L	Screw	21747	10SKD	Bail Arm
16214	10BCA	Key Washer	18912	104P0	Collar	21748	10035	Bail Assembly
16215	10348	Drag Washer	19719	10CG1	O Ring	21749	10SKG	Collar
16216	102Z9	Eared Washer	19745	104FH	Washer	21750	10039	Body Assembly
16225	102H4	Drag Click	19750	101DP	Washer	21751	10SW1	Screw
16229	10700	Spool Washer	19831	1009E	O Ring	21754	10SW0	Handle Assembly
16230	103N0	Spool Support	21097	10LHR	Screw	21755	1003A	Handle Shank Assembly
16235	1072L	Spacer	21314	10L9U	Screw	21756	10034	Handle Knob Assembly
16237	107RP	Bushing	21334	10RQB	Drive Gear Assembly	21757	10SW4	Handle Knob ID Plate
16238	107X5	Washer	21336	10RJ4	Main Shaft Assembly	21760	10SKK	Spool Assembly
16239	105R2	Bail Spring	21351	10RPZ	Rotor Nut	21761	10038	Side Cover Assembly
16240	106KQ	Bail Trip Lever	21352	10RQK	Bearing Water Proof	22183	100E4	Roller Clutch Assembly
16244	10882	Bail Spring Cover	21354	10RQW	Spacer			
16246	10MNF	Bail Hold Support Guard	21355	10RR1	Rotor Nut Lock Plate			
16249	108WV	O Ring	21357	10RQG	Pinion Gear			
16250	10A6U	Screw	21360	10RQM	Oscillating Gear			
16251	108WW	O Ring	21362	10RR2	Handle Screw Cap			
16252	10MHB	Clutch Water Proof Cover	21363	10RQC	Oscillating Guide			
16253	10MH2	Roller Clutch Water Proof	21368	10RQS	Bearing Water Proof			
16254	10K7T	Rotor Ring	21369	10RQ5	Body Seal			
16255	108WX	O Ring	21376	10TKY	Rear Protector			
16257	10JAA	Bearing Housing	21378	10RQX	Bushing			
16261	104G9	Friction Ring	21379	10MC2	Screw			
16535	10A6W	Screw	21380	10PMW	Screw			
16537	10KXY	Line Roller	21382	101TG	Ball Bearing			