

FEATURES & SPECIFICATIONS

INTENDED USE — For applications that require the clean appearance of a low-profile, brightness-controlled wraparound. Provides broad distribution of light for offices, schools and corridors. **Certain airborne contaminants can diminish integrity of acrylic.** [Click here for Acrylic Environmental Compatibility table for suitable uses.](#)

Attributes: Linear side prisms control brightness, pyramidal bottom prisms minimize lamp image. Diffuser hinges open from either side for easy maintenance. Full depth, white enamel end plates.

CONSTRUCTION — Die-formed from code gauge cold-rolled steel. Channel cover snaps into place without the use of tools. Full end cap factory installed to reduce job site labor. Diffuser is extruded clear acrylic. Finish: Five-stage iron-phosphate pretreatment ensures superior paint adhesion and rust resistance. Finished with high-gloss, baked white enamel.

ELECTRICAL — Thermally protected, resetting, Class P, HPF, UL listed, CSA Certified ballast is standard. Energy saving and electronic ballasts are sound rated A.

Luminaire is suitable for damp locations. AWM, TFN or THHN wire used throughout, rated for required temperatures.

INSTALLATION — For surface or stem mounting, individual or row installation.

LISTINGS — UL Listed (standard). Optional: CSA or cUL. Mexico NOM.

WARRANTY — 1-year limited warranty. This is the only warranty provided and no other statements in this specification sheet create any warranty of any kind. All other express and implied warranties are disclaimed. Complete warranty terms located at: www.acuitybrands.com/support/customer-support/terms-and-conditions

Note: Actual performance may differ as a result of end-user environment and application.

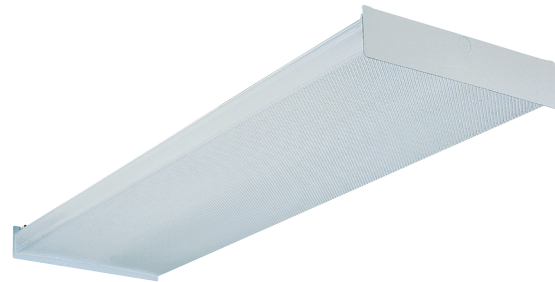
Specifications subject to change without notice.

Catalog Number
Notes
Type

Square-Basket Wraparound

SB

T5 and T8
WIDE BODY
4' length
2 or 4 lamps



Specifications

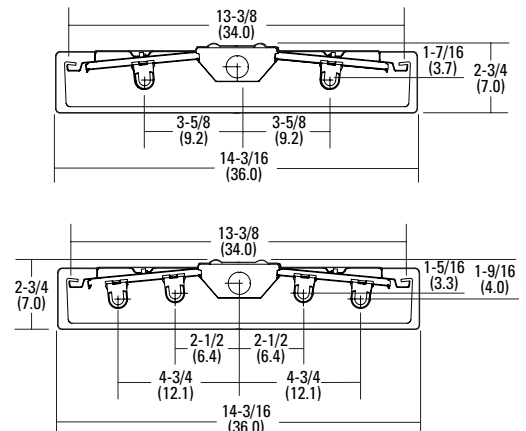
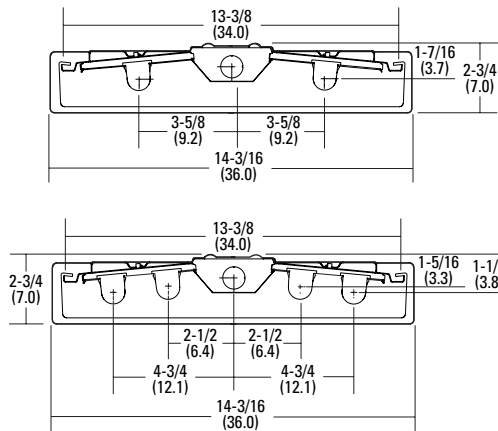
T8 Length: 48 (121.9)

T5 Length: 46-1/2 (118.1)

Width: 14-3/16 (36.0)

Height: 2-3/4 (7.0)

All dimensions are inches (centimeters) unless otherwise indicated.



ORDERING INFORMATION

For shortest lead times, configure product using **standard options (shown in bold)**.

Example: SB 4 32 MVOLT GEB10IS

Series	Number of lamps	Lamp type	Voltage	Options
SB	4 lamps, 14-3/16" wide	32 32W T8 (48")	120	1/4 One 4-lamp ballast (32W, electronic ballast only)
2SB	2 lamps, 14-3/16" wide	28T5 28W T5 (46-1/2")	277	GEB10IS T8 Electronic ballast, ≤10% THD, instant start
		54T5HO 54W T5HO (46-1/2") ¹	347	GEB10PS Electronic ballast, ≤10% THD, programmed start
			MVOLT²	EL Emergency battery pack (nominal 300 lumens, see Life Safety Section)
			Others available.	EL14 Emergency battery pack (nominal 1200 lumens, see Life Safety Section)
				GLR Internal fast-blow fuse ³
				GMF Internal slow-blow fuse ³
				RE 120V residential electronic ballast ⁴
				CSA Listed and labeled to comply with Canadian Standards
				NOM NOM certified
				SSR Specular silver interior finish (95% reflective)
				BDP Factory Installed Ballast Disconnect Plug

Accessories: Order as separate catalog number.

SQ Swivel-stem hanger (specify in 2" increments).

1B Ceiling spacer (adjusts from 1-1/2" to 2-1/2" from ceiling).

Notes

- T5HO only available in two-lamp configuration.
- Electronic ballast 120 through 277V only.
- Must specify voltage, 120V or 277V.
- Must specify voltage, 120V.

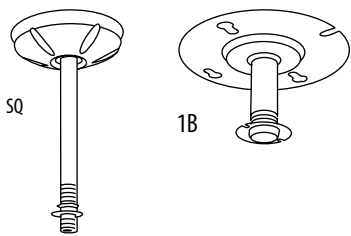
SB Square Basket Wraparound, Wide Body

MOUNTING DATA

For unit or row installation. Surface or stem mounting.

UNIT INSTALLATION — Two single-stem hangers required.

ROW INSTALLATION — One hanger per fixture plus one per row required.



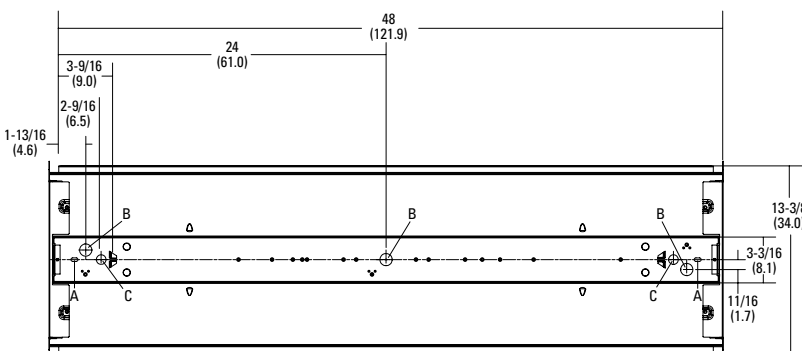
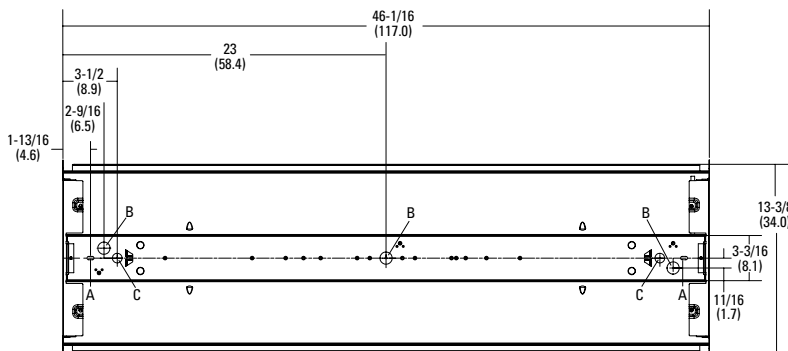
A = 1/4 x 1/2 (.635 x 1.27) Oval Hole

B = 7/8 (2.22) Dia. K.O.

C = 11/16 (1.74) Dia. K.O.

DIMENSIONS

All dimensions are inches (centimeters) unless otherwise indicated. Specifications subject to change without notice.



PHOTOMETRICS

Calculated using the zonal cavity method in accordance with IESNA LM41 procedure. Floor reflectances are 20%. Lamp configurations shown are typical. All data based on 25°C. Full photometric data on these and other configurations available upon request.

SB 4 32

Report LTL 5659 – Lumens per lamp = 2900

S/MH (along) 1.2 (across) 1.3

Coefficient of Utilization

Ceiling Wall	80%			70%			50%			0%		
	70%	50%	30%	70%	50%	30%	50%	30%	10%	0%	0%	
0	83	83	83	81	81	81	76	76	76	65		
1	77	73	71	74	71	69	67	65	63	55		
2	70	65	61	68	63	59	60	56	54	48		
3	65	58	53	63	56	52	54	49	46	41		
4	60	52	46	58	51	45	48	44	40	36		
5	55	46	40	53	45	40	43	38	34	31		
6	51	42	36	49	41	35	39	34	30	27		
7	47	38	32	45	37	31	35	30	27	24		
8	43	34	28	42	33	28	32	27	23	21		
9	40	30	25	38	30	24	28	24	20	18		
10	37	28	22	36	27	22	26	21	18	16		

Zonal Lumens Summary

Zone	Lumens	%Lamp	%Fixture
0-30	2289	19.7	27.7
0-40	3753	32.4	45.4
0-60	6182	53.3	74.7
0-90	7541	65.0	91.1
90-180	733	6.3	8.9
0-180	8275	71.3	100.0