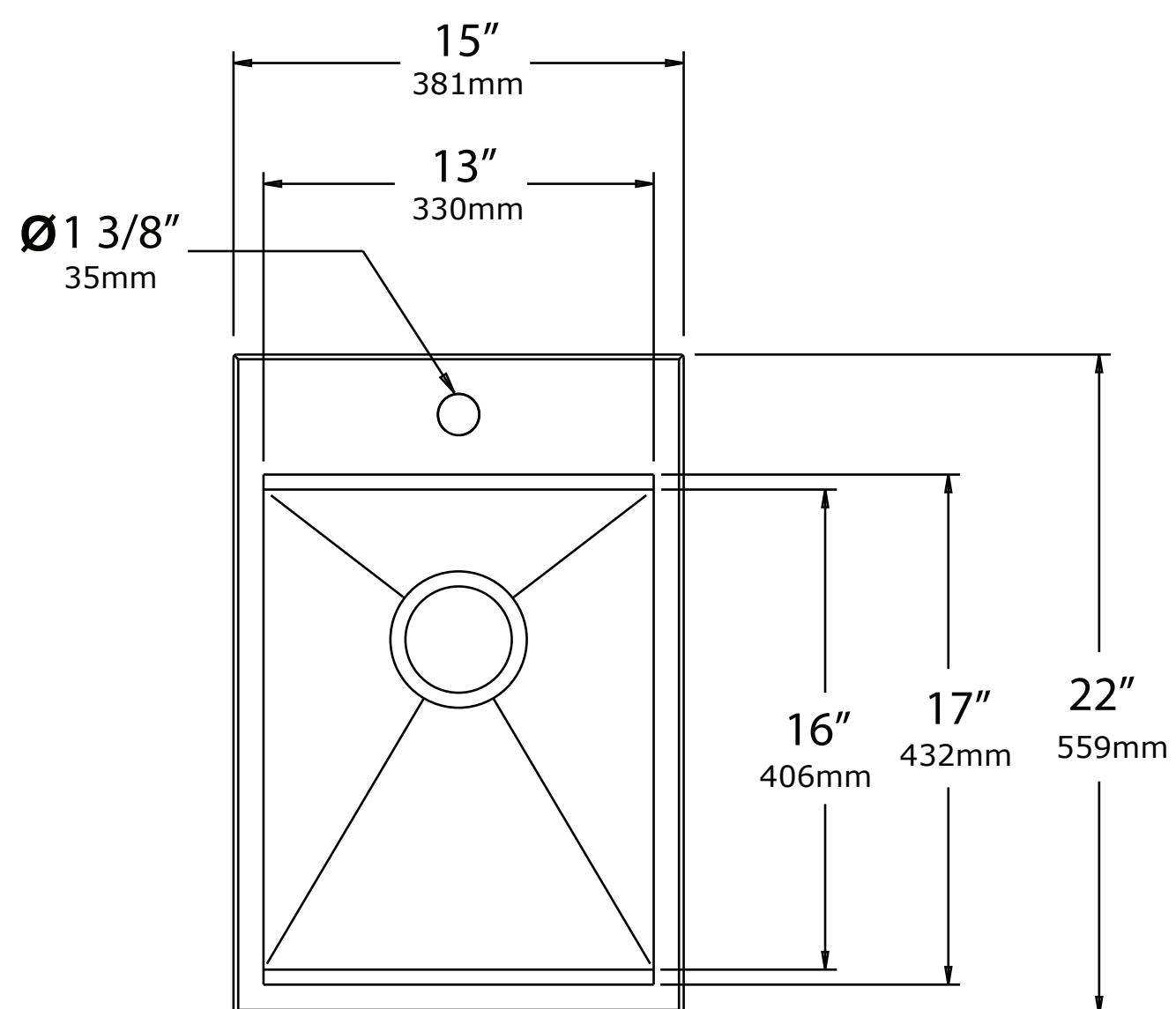


**Kräus**<sup>®</sup>  
www.kraususa.com

**Model No.**  
**KWT311-15**  
**KWT311-15/316**

**Top Mount Cut-out**

**Pro Hotline: 516.801.8955**  
**Customer Service: 800.775.0703**



**NOTE: Cutout template is provided as a guide ONLY and must be checked against actual sink to verify correct fit.**