

These adaptors are for use with Aculux® new construction housings when ceiling thicknesses exceed 7/8".

- CTA3SQ/125 is for ceilings 7/8 – 1-1/4" thick.
- CTA3SQ/163 is for ceilings 1-1/4 – 1-5/8" thick.
- CTA3SQ/200 is for ceilings 1-5/8 – 2" thick.

### Installation

**Step 1.** Install housing, supply power to housing, and install ceiling per instructions supplied with housing.

**Step 2.** Secure adaptor collar to fixture using the two supplied screws as shown in figure 1.

**Step 3.** If using a flangeless adaptor, install per the supplied flangeless adaptor instructions.

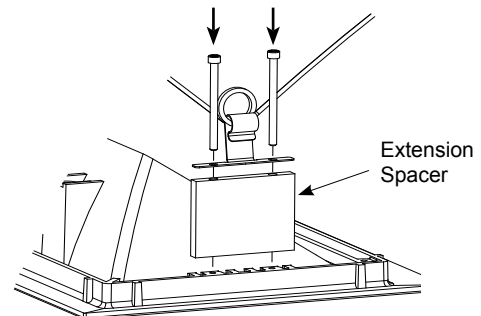
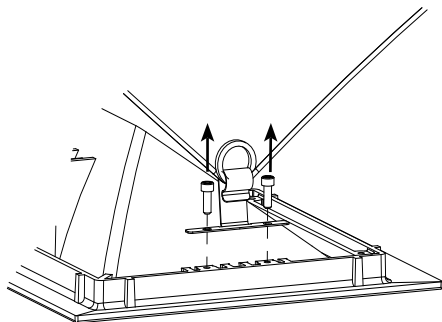
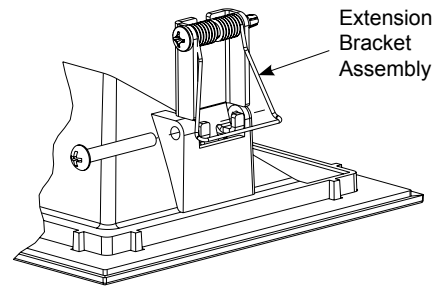
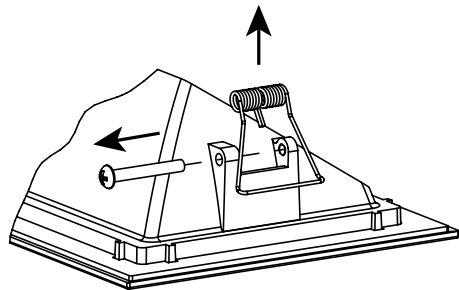
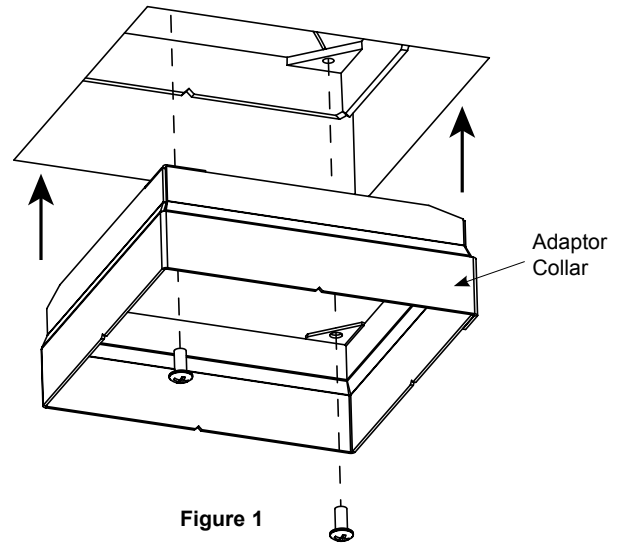
**Step 4.** Identify which spring style is on trim (see figures 2a & 2b).

**Step 5.** On the trim, loosen screws and remove springs as shown in figures 2a & 2b.

**Step 6.** Attach extension bracket assembly to trim using supplied screws (see figures 3a & 3b).

**Step 7.** If kit is supplied with an extended lampholder, remove original lampholder from fixture, remove lens, and discard lampholder. Insert lens into extended lampholder, insert lamp, and attach extended lampholder to housing (MR16 style only.)

**Step 8.** Aim fixture, and install trim.



Product Services Phone (888) 387-2212