

## Specifications

### Description

Adcraft's 7/11 quart round cooker/warmers are constructed with a stainless steel interior liner made of out of 20 gauge 18/8 stainless steel . They are can be used as a slow cooker or a food warmer. They have a manual temperature control knob that has a range of 0°F-212°F. The included adaptor ring easily converts these items from 11 qt to 7 qt with the use of a smaller inset (Insets not included). 120V, 1200W, 10 Amps. NEMA 5-15 plug. These units are UL and UL EPH and backed by Adcraft's 1 year limited warranty.

### Construction

- Interior liner is constructed of heavy duty 20 gauge 18/8 stainless steel
- Available in stainless steel or matte black finish
- Non-slip bakelite feet for stability

### Operation

- Adjustable heating control allows for keeping food warm at a desired temperature for an extended period of time
- Min/Max line on the inside for accurate measurement of water
- Easily convert from 11 qts to 7 qts in no time with the stainless steel adapter ring (Included)
- Pre-heat in only 30 minutes.

### Electrical

- 120V, 1200W, 10 Amps
- 5' power cord with NEMA 5-15 plug

### Accessories (Sold Separately)

- SVI-105 - 11 quart stainless steel inset
- SVI-85 - 7 quart stainless steel inset

### Certifications/Approvals



## 7/11 Qt. Round Cooker/Warmers

### Models:

- FW-1200WR
- FW-1200WR/B

FW-1200WR



FW-1200WR/B  
Shown with adapter ring



Easily convert this round cooker/warmer from a 11 quart inset holder to a 7 quart inset holder with the included stainless steel adapter ring.

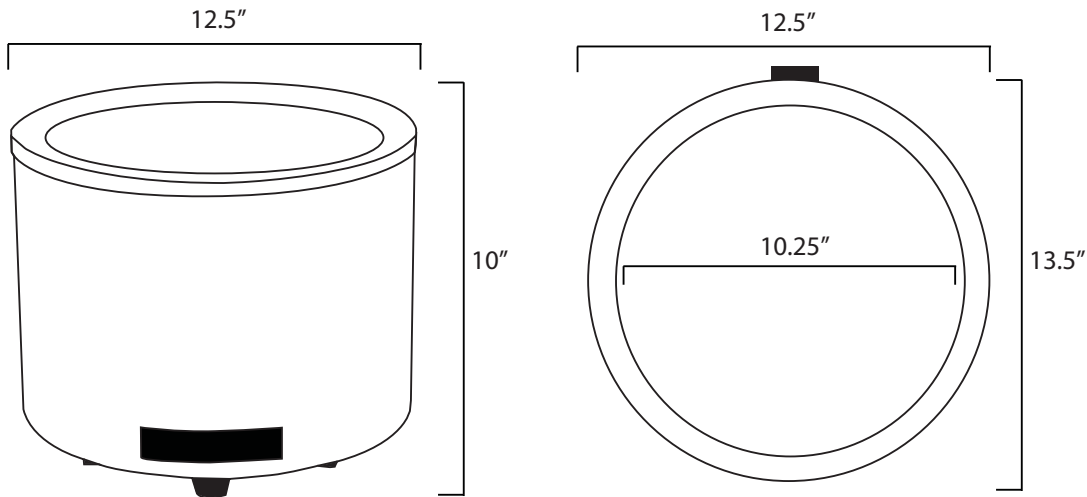
**Warranty:** This product is protected by Admiral Craft Equipment Corporation's one year limited warranty. Should your product fail under normal use it will be repaired or replaced up to one year from date of purchase.





Date: \_\_\_\_\_  
 Item No.: \_\_\_\_\_  
 Project No.: \_\_\_\_\_

## 7/11 Qt. Round Cooker/Warmers - FW-1200WR, FW-1200WR/B

### Plan View



### Specifications

Item Number	Item Dimensions	Volts	Wattage	Amps	NEMA Plug
FW-1200WR	12.5"W x 13.5"D x 10"H	120V	1200W	10	5-15P 
FW-1200WR/B	12.5"W x 13.5"D x 10"H	120V	1200W	10	5-15P 

### Shipping Info

Item Number	Box Dimensions	Gross Weight	Net Weight
FW-1200WR	14"W x 14"D x 12"H	12 lbs	10 lbs
FW-1200WR/B	14"W x 14"D x 12"H	12 lbs	10 lbs

For more information about this or any of our other products go to [www.admiralcraft.com](http://www.admiralcraft.com). These items are listed on AutoQuotes. For full explanation of warranty coverage on this product please refer to warranty page located in the owner's manual and warranty section at [www.admiralcraft.com](http://www.admiralcraft.com). Specifications subject to change without notice. Please confirm at time of order.