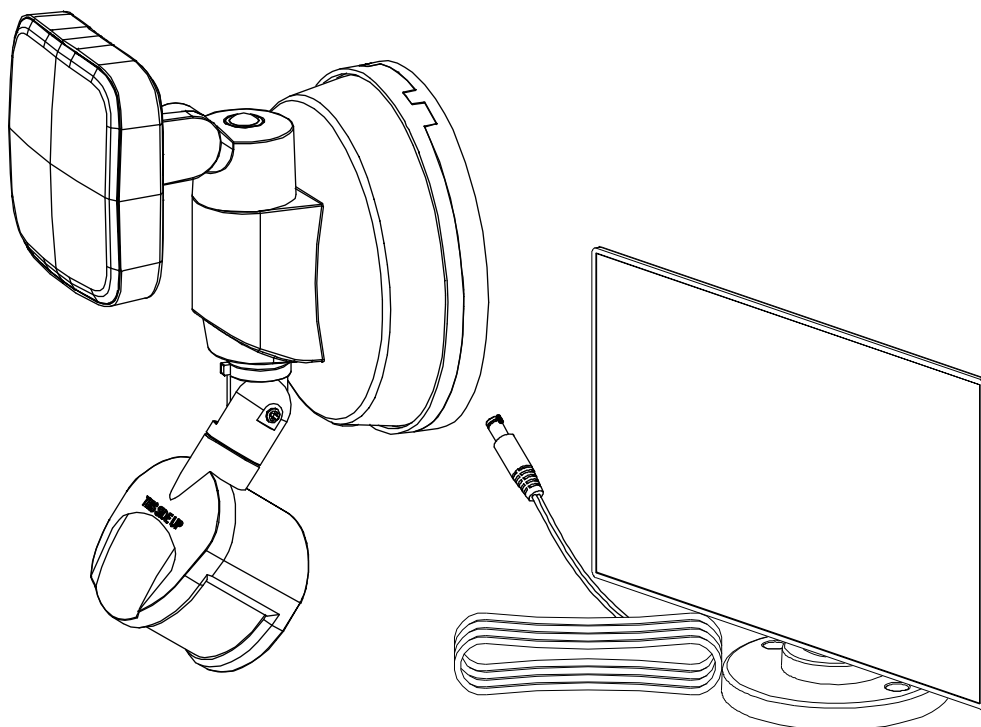




Model: S6/500/850/SOL/WH

USE AND CARE GUIDE

SINGLE HEAD SOLAR MOTION SECURITY FLOOD LIGHT



READ BEFORE INSTALLATION
SAVE THESE INSTRUCTIONS

Questions, problems, missing parts? Before returning to the store,
call Feit Electric Customer Service
8 a.m. - 5 p.m., PST, Monday - Friday

1-866-326-BULB (2852)

FEIT.COM

We appreciate the trust and confidence you have placed in Feit Electric through the purchase of this LED Solar Flood Light. We strive to continually create quality products designed to enhance your home. Visit us online to see our full line of products available for your home improvement needs. Thank you for choosing Feit Electric.

Table of Contents

Table of Contents	2
Safety Information	2
Warranty	2
Pre-Installation	3
Tools Required	3
Hardware Included	3
Solar Panel Ground Stake Installation	4
Solar Panel Installation on Roof or Fence	4
Security Light Installation	5
Light Operation Settings	6
Battery Replacement	6
Storage Tips	7
Troubleshooting	7

Safety Information

READ BEFORE INSTALLATION AND SAVE THESE INSTRUCTIONS

HOW SOLAR LIGHTS WORK

Solar light has a solar panel that converts sunlight into electricity. During the day, the electricity converted by the solar panel is stored in the rechargeable battery. At night, the solar light is powered by the battery using the electricity stored during the day. The operating time depends on geographical location, daily weather conditions and season.

CHOOSING THE RIGHT LOCATION

Select a location with full, direct sunlight. Do not install in shady areas as these areas will not allow the battery to be fully charged and will reduce nighttime working hours. Be sure that the selected location is not close to other nighttime light sources such as streetlights or porch lights. These light sources may keep the solar lights from turning on automatically.



CAUTION: Contains one 18650 rechargeable lithium-ion battery. Risk of fire, explosion, or burns. Do not disassemble. Do not crush or damage the batteries. Do not heat or incinerate. Do not open or disassemble. Do not make modifications to this product.



WARNING: Dispose of used battery promptly according to local recycling or waste regulations. Keep battery out of reach of children and its original package until ready to use. Clean battery contacts and device contacts prior to installing new battery. Ensure that the battery is installed correctly with regard to polarity (+ and -).

DUSK TO DAWN OPERATION:

The light will automatically turn on at dusk and remain on through the night for 6 hours. The light will remain off throughout the day, until dusk.
NOTE: To make sure this function works properly, always have the switch in the 'ON' position (including daytime).

FCC STATEMENT

This device complies with part 15 of the FCC Rules. Operation is subject to the following two conditions: (1) This device may not cause harmful interference, and (2) this device must accept any interference received, including interference that may cause undesired operation. Note: This equipment has been tested and found to comply with the limits for a Class B digital device, pursuant to part 15 of the FCC Rules. These limits are designed to provide reasonable protection against harmful interference in a residential installation. This equipment generates, uses and can radiate radio frequency energy and, if not installed and used in accordance with the instructions, may cause harmful interference to radio communications. However, there is no guarantee that interference will not occur in a particular installation. If this equipment does cause harmful interference to radio or television reception, which can be determined by turning the equipment off and on, the user is encouraged to try to correct the interference by one or more of the following measures: Reorient or relocate the receiving antenna. Increase the separation between the equipment and receiver. Connect the equipment into an outlet on a circuit different from that to which the receiver is connected. Consult the dealer or an experienced radio/TV technician for help. Any changes or modifications not expressly approved by the manufacturer could void the user's authority to operate the equipment.

Supplier's Declaration of Conformity:

47 CFR § 2.1077 Compliance Information

Responsible Party:

Feit Electric Company
4901 Gregg Road,
Pico Rivera, CA 90660, USA

Unique Identifier:

S6/500/850/SOL/WH

Limited Warranty

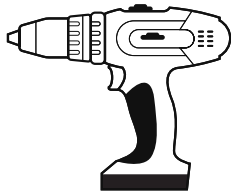
This product is warranted to be free from defects in workmanship and materials for up to five years from date of purchase. If the product fails within the warranty period, please contact Feit Electric at info@feit.com, visit feit.com/contact-us for instructions on replacement or refund. Replacement or refund is your sole remedy. Except to the extent prohibited by applicable law, any implied warranties are limited in duration to the duration of this warranty. Liability for incidental or consequential damages is hereby expressly excluded. Some states and provinces do not allow the exclusion of incidental or consequential damages, so the above limitation or exclusion may not apply to you. This warranty gives you specific legal rights, and you may also have other rights which vary from state to state or province to province.

Pre-Installation

TOOLS REQUIRED



Phillips Screwdriver



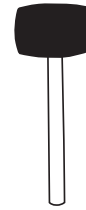
Power Drill



1/4 in. Drill Bit




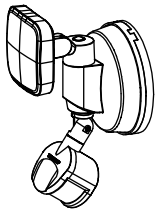
Pencil



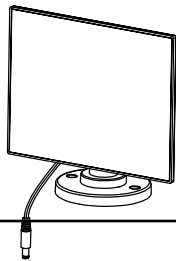
Rubber mallet

HARDWARE INCLUDED

 NOTE: Hardware not shown to actual size.



AA



BB



CC



DD



EE

Part	Description	Quantity
AA	Flood Light	1
BB	Solar Panel with 15 ft. Cord	1
CC	Ground Stake	1
DD	Fixture Mounting Screws	6
EE	Anchors	6

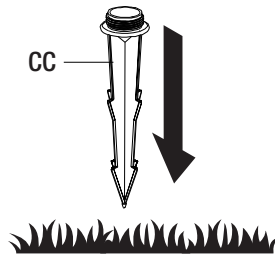
Solar Panel Ground Stake Installation

1 Installing the solar panel ground stake

- Select a location with full direct sunlight and push the solar panel ground stake (CC) deep enough into the ground to ensure that fully assembled solar panel (BB) will be stable and will not tip over.



IMPORTANT: Do not push on the solar panel (BB) or you may damage the device.

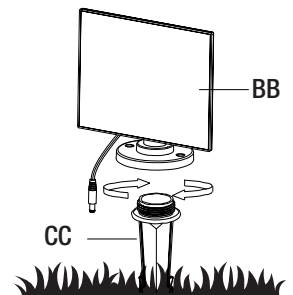


2 Installing the solar panel

- Screw the solar panel (BB) onto the solar panel ground stake (CC) by rotating it clockwise.



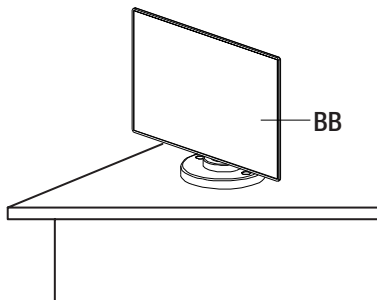
NOTE: Adjust the solar panel manually, to a position best suited for maximum direct sunlight.



Solar Panel Installation on Roof or Fence

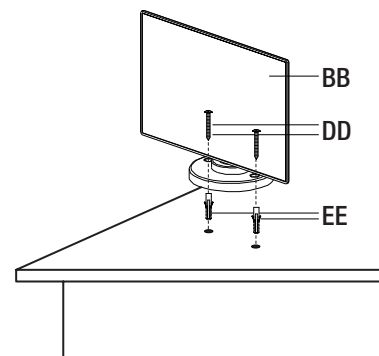
1 Installing the solar panel on a roof or fence

- Place solar panel (BB) on roof or fence. Mark the holes using a pencil.
- Drill through the marking and insert the anchors (EE).



2 Attaching the solar panel

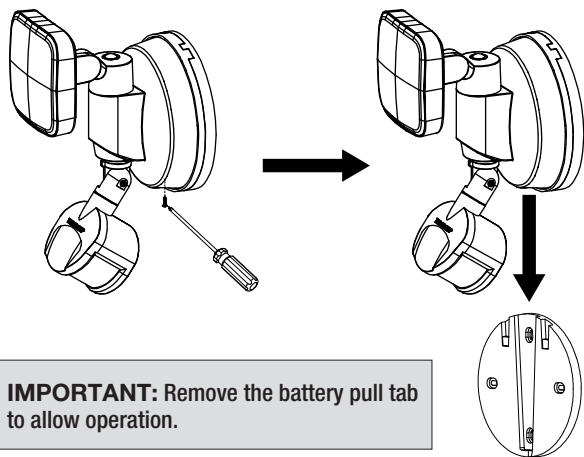
- Insert provided screws (DD) through the hole(s) on the solar panel (BB) base.
- Using a Phillips screwdriver, turn screw clockwise.
- Repeat with other screw on opposite side.



Security Light Installation

1 Removing the Back Plate

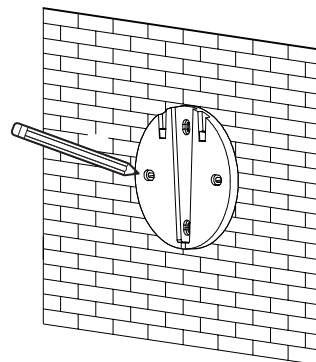
- Using a Phillips screwdriver, remove the screw located in the bottom of the flood light (AA). Push the back plate downward and slide it off.



IMPORTANT: Remove the battery pull tab to allow operation.

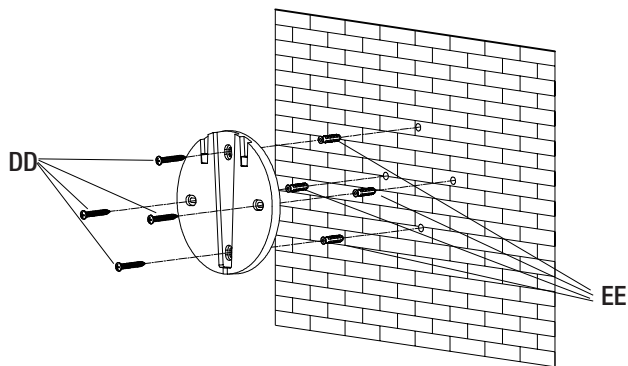
2 Positioning the Back Plate

- Identify a mounting location. Place the back plate in the mounting location with the wide side of the built-in ridge at the top and hold while marking the holes in your desired location with a pencil.



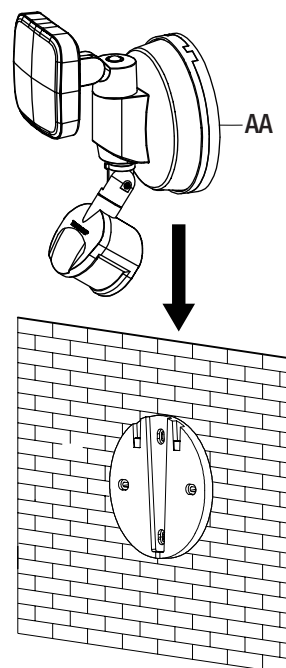
3 Installing the Back Plate

- Drill 4 holes at the marked locations. Insert 4 anchors (EE). Align the back plate (built-in wide ridge at the top) with the screw anchors and hold. Attach mounting plate using 4 fixture mounting screws (DD).

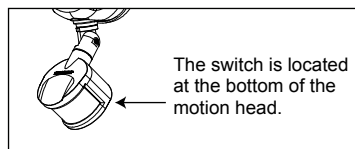
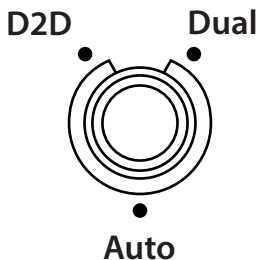


4 Installing the Flood Light

- Align the flood light (AA) above the backplate. Insert the molding that is on the back of the flood light (AA) into the ridge located on the top of the back plate. Slide downward until the flood light (AA) locks into the back plate. Using a Phillips screwdriver, insert the flood light (AA) screw into the bottom of the flood light (AA) and tighten by rotating clockwise.



Light Operation Settings:



Switch Location	Mode
D2D	Light turns on for 6 hours at low brightness and turns off automatically.
AUTO	Light turns on at 100% brightness (based on battery voltage) for 2 minutes. Motion range is 50 ft. at dawn. If light is constantly triggered, there will be three lumens of brightness - 100% light for 2 minutes, 80% light for 2 minutes and 60% light for 2 minutes.
DUAL	Light turns on at 100% brightness when motion is triggered. Reduces to 50% after 2 minutes. If no motion is detected after another 2 minutes the light will turn off. Each time motion sensor is triggered, the fixture will turn on at 100% brightness. Motion range is 20 ft. (to limit the number of triggers and preserve battery life).

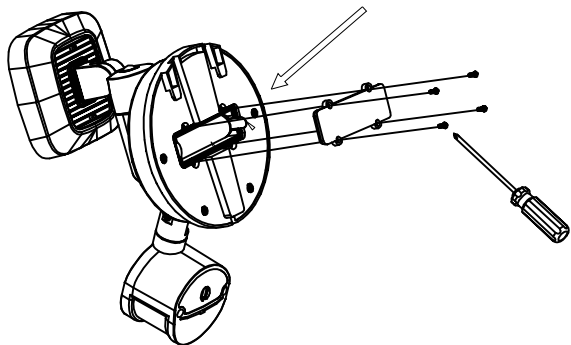
Optimal height for motion detection is 8 feet.

20 ft./ 50 ft.
(DUAL/ AUTO)

8 ft.

Battery Replacement

To replace the battery, detach the flood light (AA) from the back plate. Unscrew the battery cover from the back of the flood light (AA), remove the old battery and insert a new Lithium-Ion 18650 3.7 V minimum 1500 mAh. Make sure to securely screw the battery cover back in place.



BATTERY WARNING: Risk of fire, explosion, and burns. Do not disassemble, crush, heat above 100° C / 212° F or incinerate. REPLACE ONLY WITH one Lithium-Ion 18650 3.7 V minimum 1500 mAh battery. DISPOSE OF USED BATTERY PROMPTLY. KEEP AWAY FROM CHILDREN. DO NOT DISASSEMBLE AND DO NOT DISPOSE OF IN FIRE.

- Wet location rated

Storage Tips

To ensure optimal performance, do not store unused security flood light for prolonged periods of time. Storing security flood light in a box or dark room will not allow the light to recharge and this will damage the batteries. If you need to store security flood light for a prolonged period, it must be fully discharged and must be fully charged at least once a month.

Troubleshooting

PROBLEM	POSSIBLE CAUSES	CORRECTIVE ACTION
The light will not turn on.	The battery is not making contact.	Loosen the battery cover screws, pull out the battery cover and inspect the battery connection. After inspection, reinsert the battery.
	The battery is not fully charged.	Ensure the solar panel is positioned in a location that provides full and direct sunlight. If installed in a shady area, the battery will take a longer time to charge, and may not fully charge, and reduce working hours.
	The panel is near an external light source that is inadvertently triggering the dusk to dawn sensor.	Relocate the panel to an area that does not have any external light sources or remove the external light sources from the panel's proximity.
The lights go out too early.	The battery charge is low.	Allow the batteries to get a full charge by powering off the fixture for 1-2 days. Or relocate the fixture to an area with direct sunlight. Check panel for dirt, damage, or light obstruction.



Questions, problems, missing parts?

Before returning to store, visit feit.com/help for further assistance.

