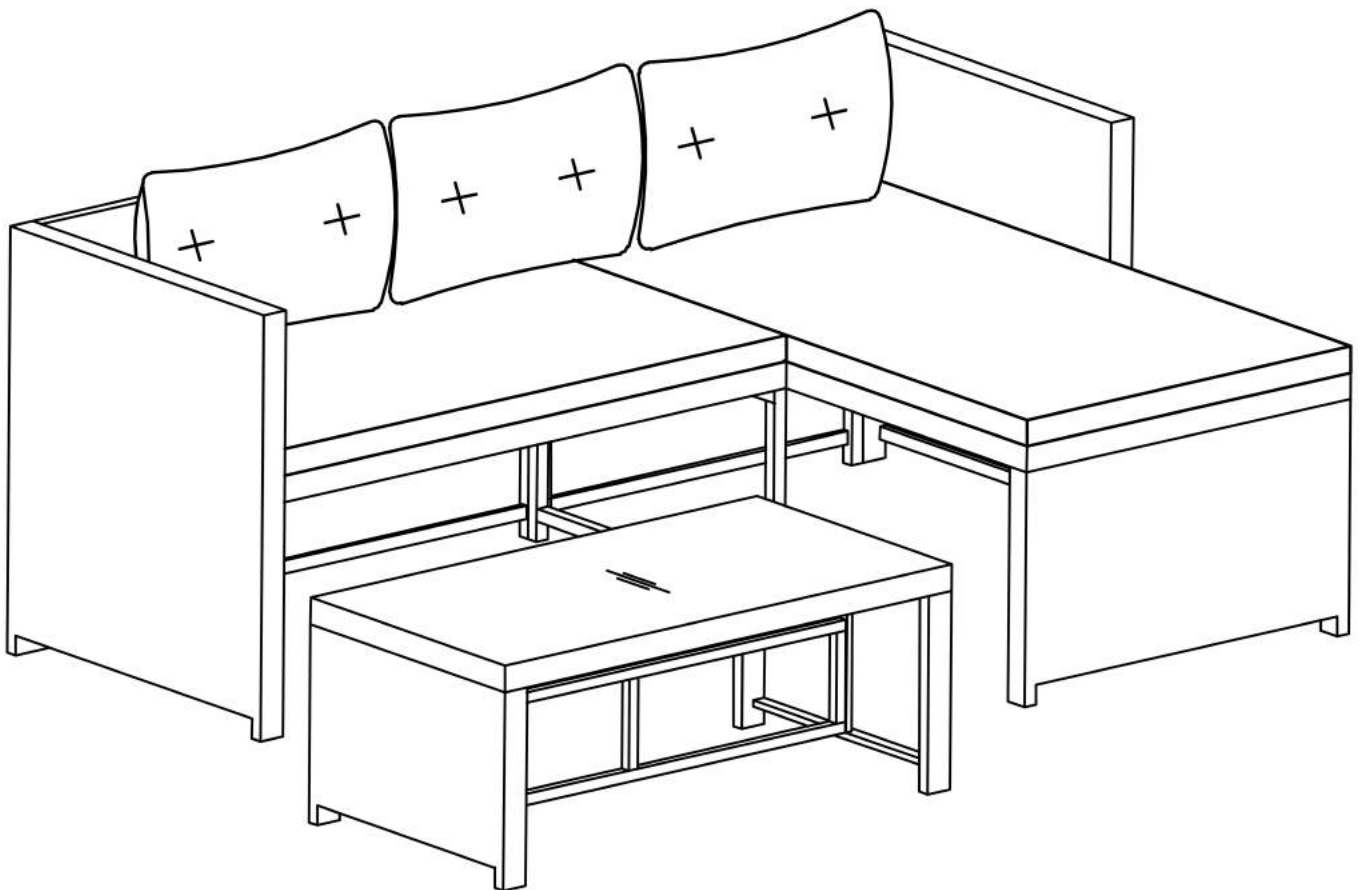
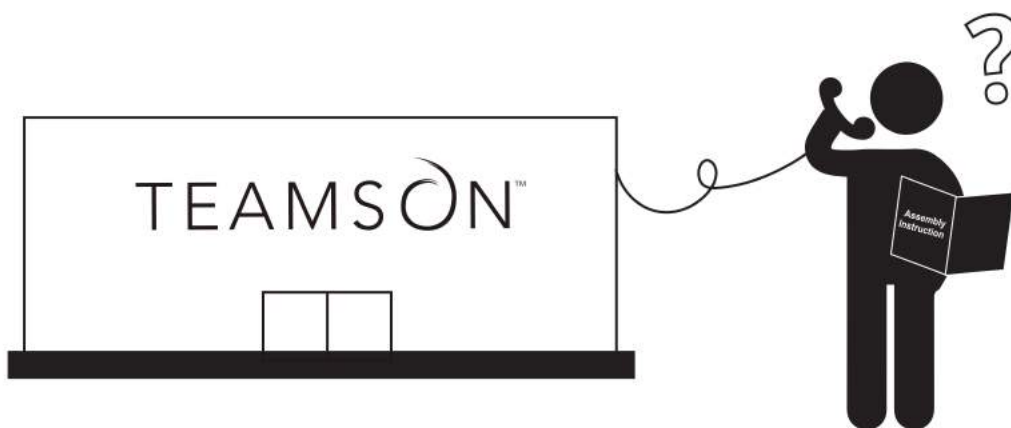
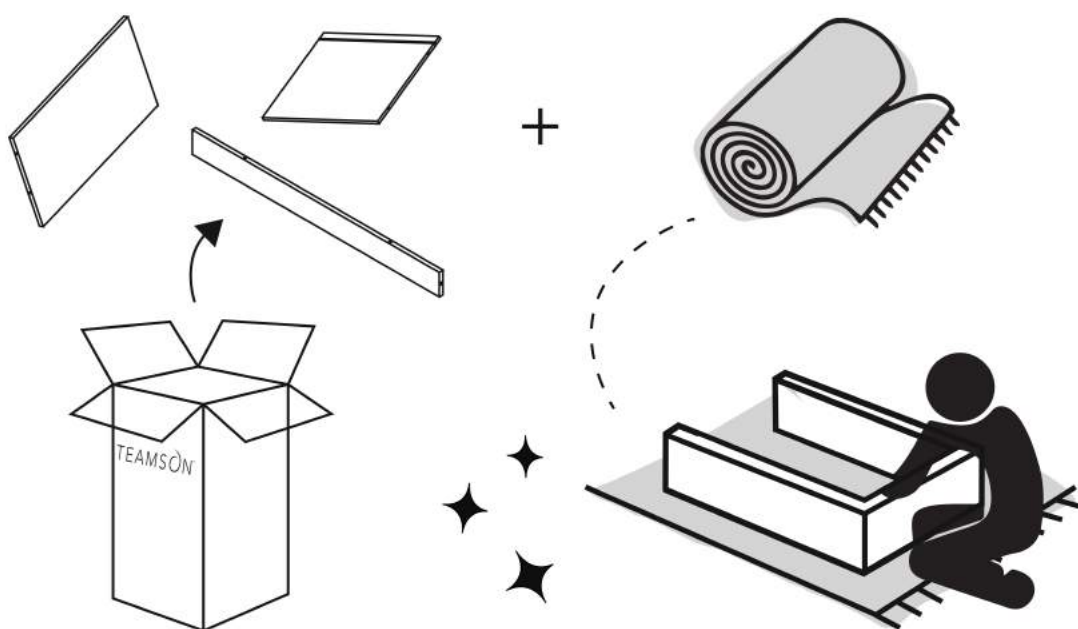
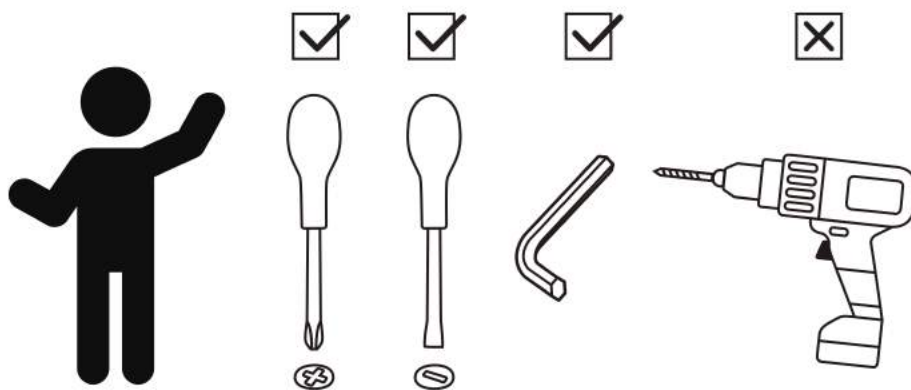


Peaktop

3 Pieces Wicker Sectional Conversation Set PT-OF0020

TIME SAVER!
3D Interactive Instruction





** Got questions? Please have your product code (on the first page of this instruction, e.g. TD-12345A) and the order number ready, give us a call or email us through our customer care support! We are always ready to assist you!

TEAMSON HOME



Warranty sign up

www.teamsonhome.com

Serving you well gives us great joy!

USA **+1(800)935-3959**

Mon - Fri 10:00am ~ 2:00pm EST

✉ support@teamson.com

EU **+44(0)1952-916-050**

Mon - Thu 9:00am ~ 5:00pm GMT

Friday 9:00am ~ 4:00pm GMT

✉ support@teamson.co.uk

ASIA . . . 深圳办公室:

+86(0755)8885-3558.分机号108

Mon - Sat 9:00am ~ 5:00pm GMT+8

✉ sales_ec@teamson.com

台北办公室:

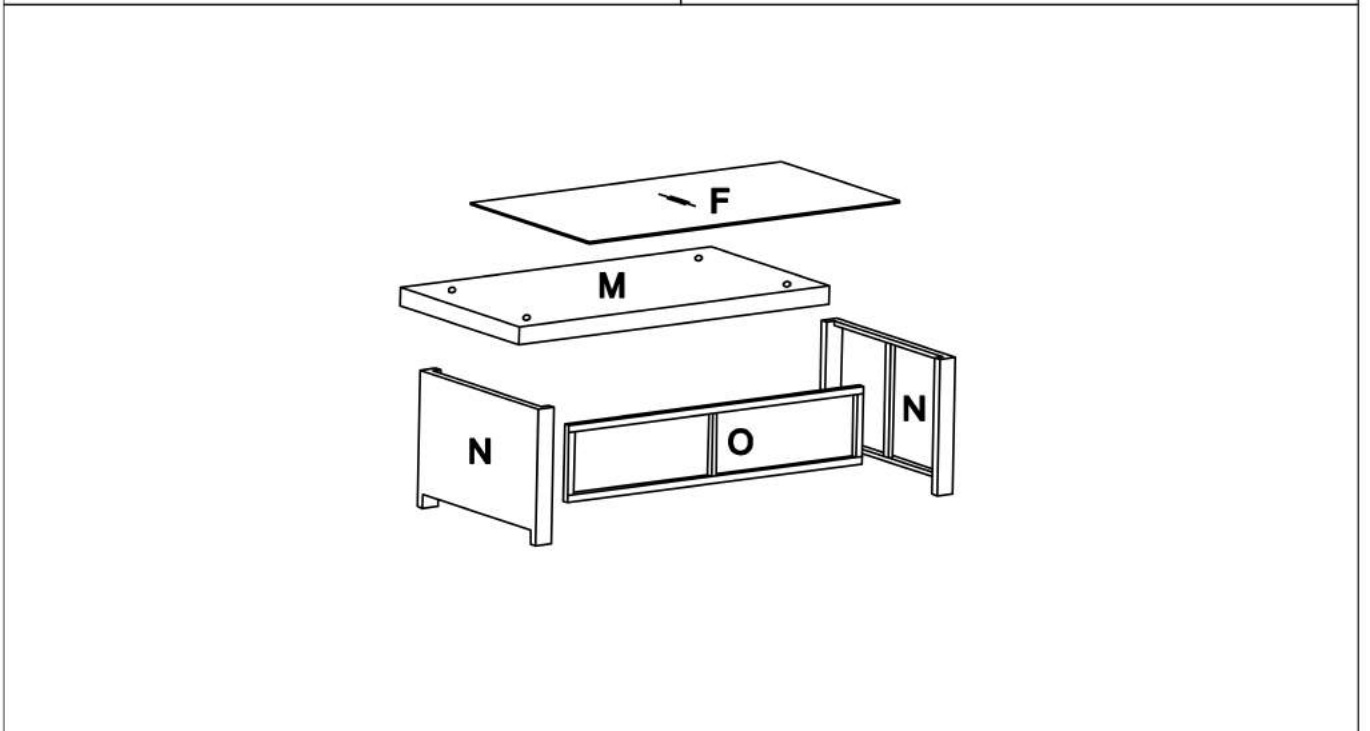
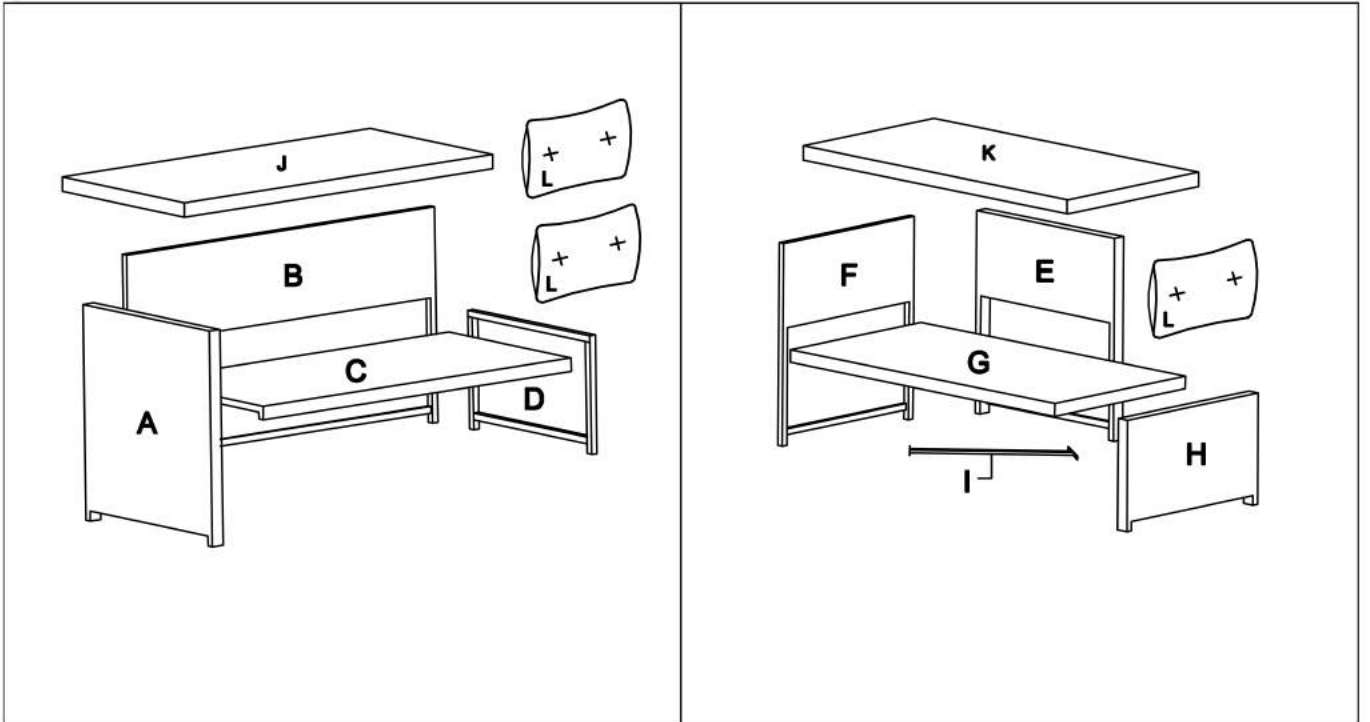
+886(2)2556-6268

Mon - Fri 9:00am ~ 5:00pm GMT+8

✉ sales_ec@teamson.com

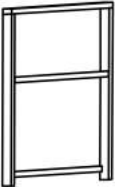
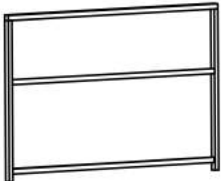


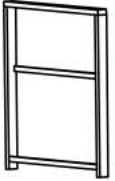
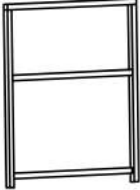
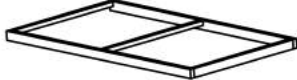


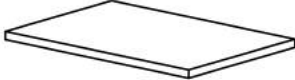
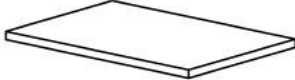
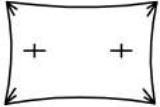
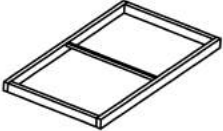

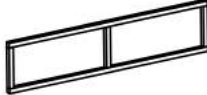

Thank you for choosing Teamson Home

Exploded Drawing



Questions?
Scan Here

Product Parts

Ax1pc 	Bx1pc 	Cx1pc 	Dx1pc 
Ex1pc 	Fx1pc 	Gx1pc 	Hx1pc 
Ix1pc 	Jx1pc 	Kx1pc 	Lx3pc 
Mx1pc 	Nx2pc 	Ox1pc 	Px1pc 



Questions?
Scan Here

⚠ WARNING:

1. Do not let any sharp objects touch or rub the surface of the product.
2. When assembling, do not let children play around the working area.
3. Please confirm all parts are correct before starting the assembly process.
4. Do not tighten all bolts and screws completely until the entire unit has been assembled and set up.

Hardware

1



M6x55

4pcs

2



M6x40

17pcs

3



M6x30

8pcs

4



M6x20

4pcs

5



M6

33pcs

6

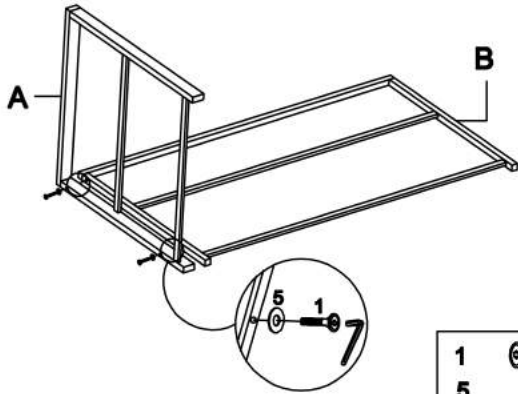


2pcs



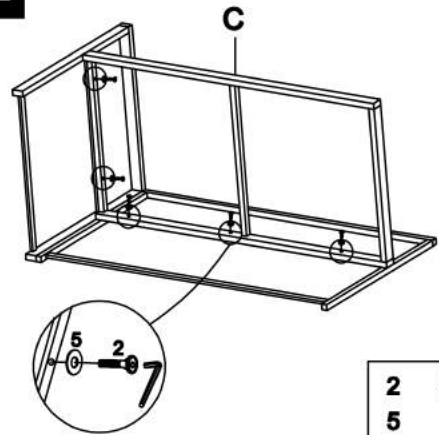
Questions?
Scan Here

Step 1



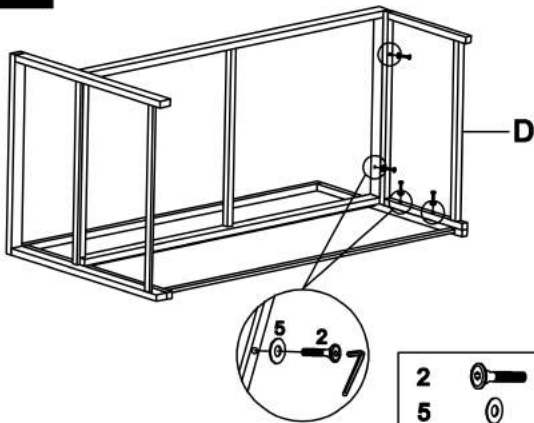
- 1  x2
- 5  x2

Step 2



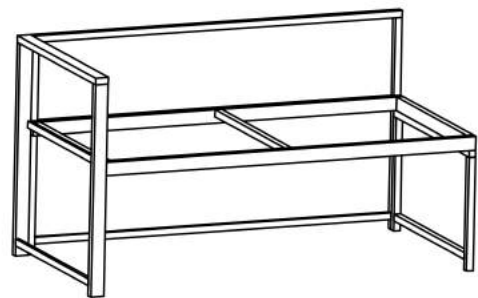
- 2  x5
- 5  x5

Step 3

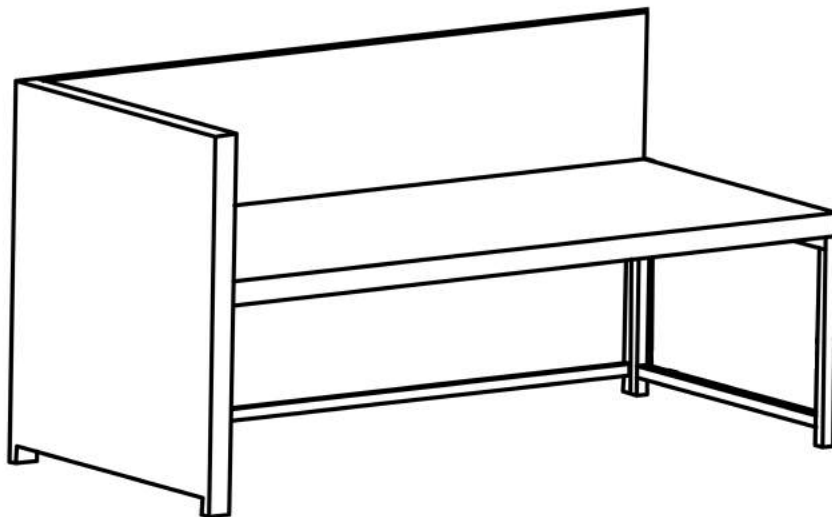


- 2  x4
- 5  x4

Step 4

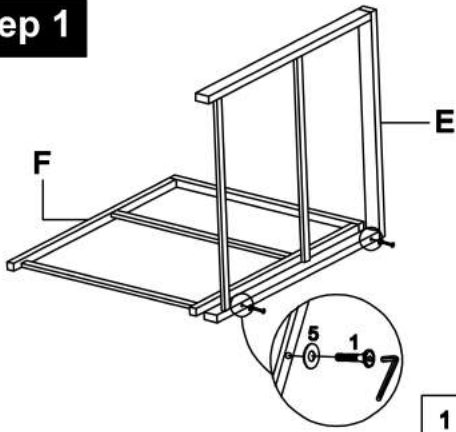


Finish (I)



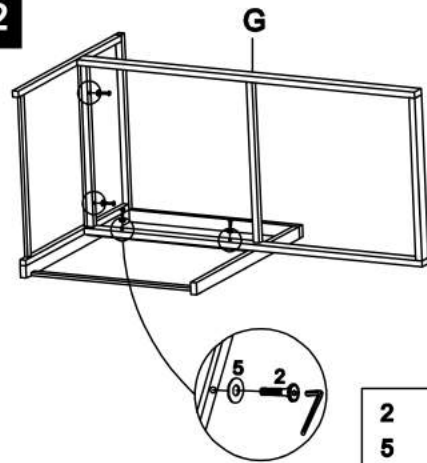
← **Questions?**
Scan Here

Step 1



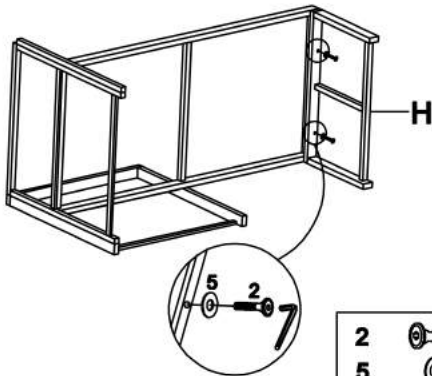
1  x2
5  x2

Step 2



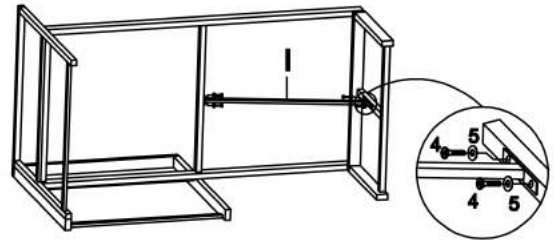
2  x4
5  x4

Step 3



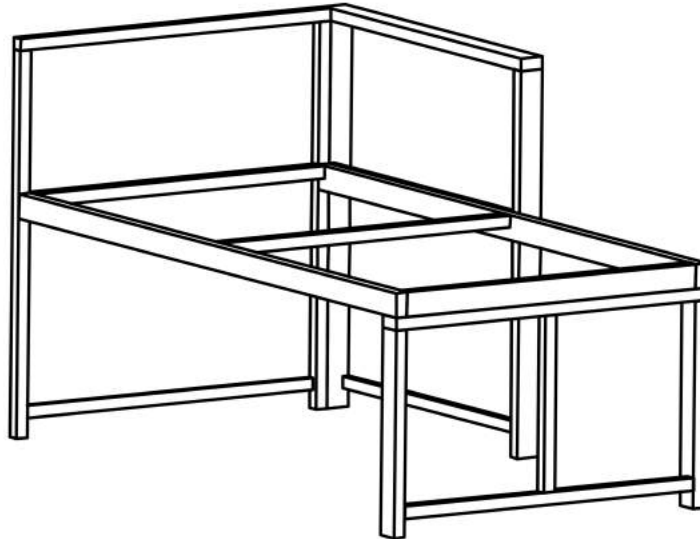
2  x2
5  x2

Step 4



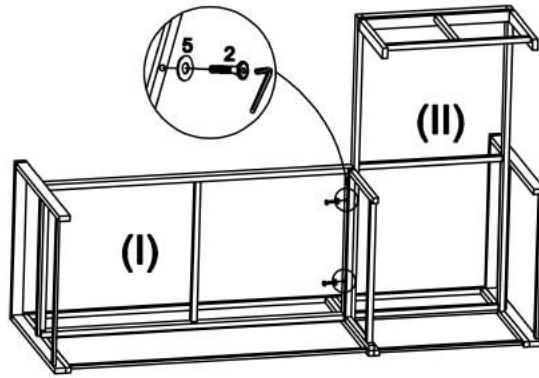
4  x4
5  x4

Finish (II)

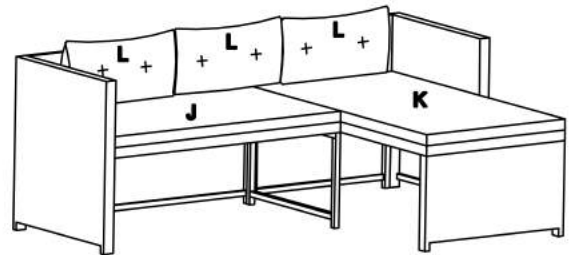
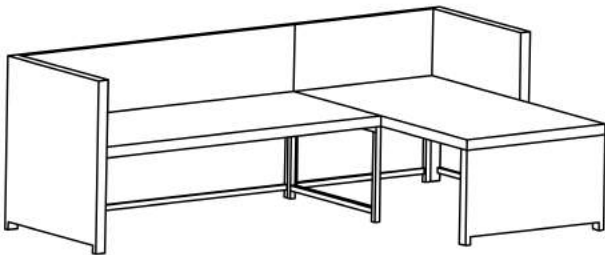


← **Questions?**
Scan Here

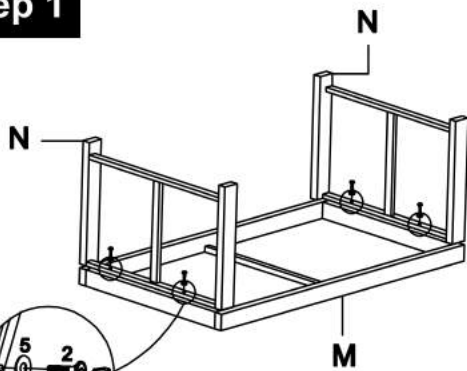
Finish (III)



- 2  x2
- 5  x2

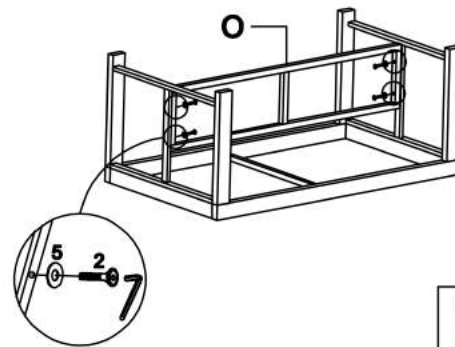


Step 1



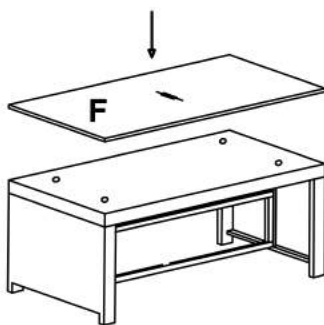
- 3  x4
- 5  x4

Step 2

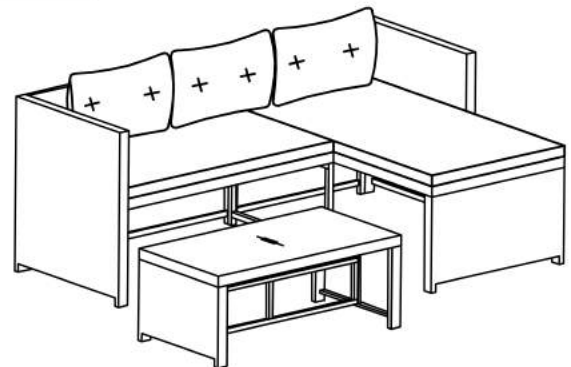


- 3  x4
- 5  x4

Step 3



Finish



← **Questions?**
Scan Here