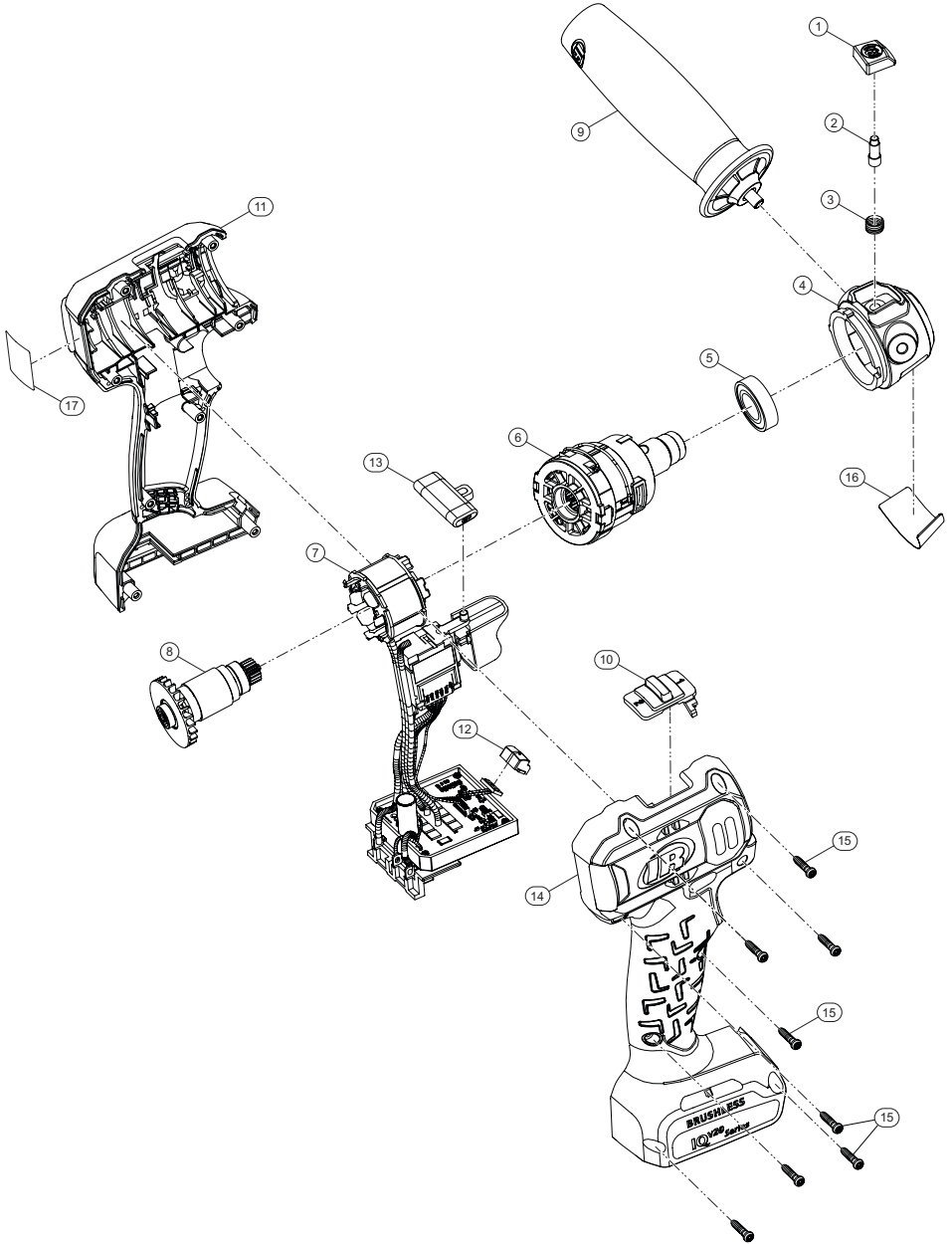


G4621, 20V Cordless Polisher/Sander - Exploded View



(Dwg. TL-G4621-PLM-1)

## G4621, 20V Cordless Polisher/Sander - Parts List

Item	Part Description	Part Number (CCN)	Item	Part Description	Part Number (CCN)
	Front Case Kit	TK-G4621-727		Label Kit	TK-G4621-99
1	Button, Spindle Lock	TP-G4621-31	16	Warning Label (front case)	TP-G4621-099
2	Lock Spindle	TP-G4621-531	17	Warning Label	TL-D3100-099
3	Spring, Spindle Lock	TP-G4621-248	*	20V Li-ion Battery Pack (IQV20 Series batteries)	
4	Front Case	TP-G4621-727		2.5Ah	BL2012
5	Ball Bearing	TP-G4621-24		2.8Ah	BL2013
	Shift Wire Kit	TK-G4621-750		5.0Ah	BL2022
6	Gear Box Assembly Kit	TP-G4621-A750		5.6Ah	BL2023
7	Stator-Switch-PCB-Battery Connector Kit	TP-G4621-A52	*	Battery Charger	
	Rotor Kit	TK-G4621-53		Battery Charger, Single Bay	BC1121
				Battery Charger, Dual Bay	BC1221
8	Rotor	TP-G4621-53	*	Accessory Kit	
	Auxiliary Handle Kit	TK-G4621-48		2" Backing Pad (for Sander)	---
9	Auxiliary Handle	TP-G4621-A48		3" Backing Pad	---
	Housing Kit	TK-G4621-40		3" Hook and Loop Backing Pad (for Polisher)	---
10	High/Low Speed Switch	TP-G4621-249		3" Hook and Loop T80 Foam Pad	---
11	LH Housing	TP-G4621-40LH		3" Hook and Loop T10 Foam Pad	---
12	LED Cover	TP-G4621-144		3" Hook and Loop Wool Pad (for Polisher)	---
13	Trigger Lock Kit	TP-G4621-75			
14	RH Housing	TP-G4621-40RH			
	Screw Kit	TK-G4621-105			
15	Housing Screws (8 required)	TP-G4621-105			

\* Indicates not illustrated.

## Parts and Maintenance

When tool life has expired, it is recommended that the tool be disassembled, degreased and parts separated by material for proper recycling.

Tool repair and maintenance should only be carried out by an Authorized Service Center.

Refer all communications to the nearest **Ingersoll Rand** office or distributor.

## Related Documentation

Manuals can be downloaded from [ingersollrand.com](https://www.ingersollrand.com)

For additional information, refer to:

Product Safety Information Manual 47542671001

Product Information Manual TL-G4621-PIM

CE-Declaration of Conformity TL-G4621-DOC

UK-Declaration of Conformity TL-G4621-DOC-UK