



---

**Extended Warranty  
Sign Up**

---

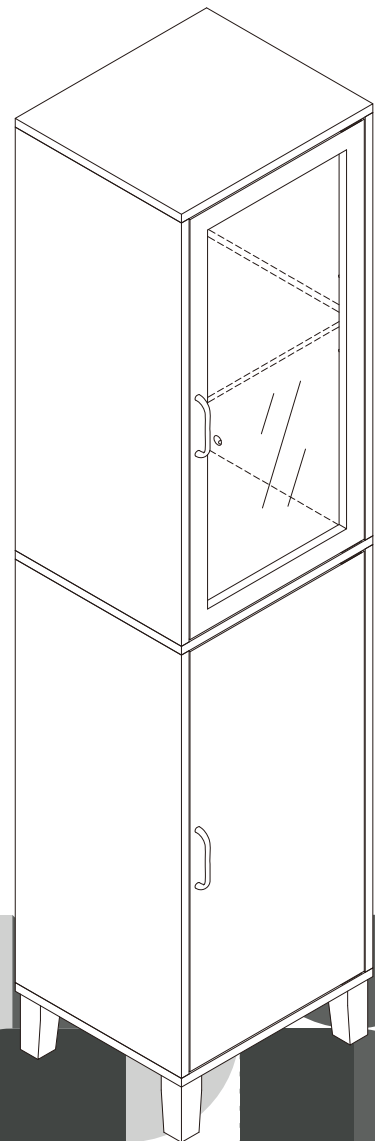
**E-1**

# Welcome home!

**EHF-F0009**

**TEAMSON HOME**

**Tyler Two Tone Linen Tower  
with Glass Door and Divider  
-White and Natural Wood**





**Questions? Comments? Need help?  
Call or email us any time!**

## Global Customer Service

**USA**

**+1(800)935-3959**

Mon - Fri 10:00am ~ 2:00pm EST

✉ [support@teamson.com](mailto:support@teamson.com)

**EU/UK**

**+44(0)1952-916-050**

Mon - Thu 9:00am ~ 5:00pm GMT

Friday 9:00am ~ 4:00pm GMT

✉ [support@teamson.co.uk](mailto:support@teamson.co.uk)

**ASIA**

深圳办公室:

**+86(0755)8885-3558.分机号331**

Mon - Sat 9:00am ~ 5:00pm GMT+8

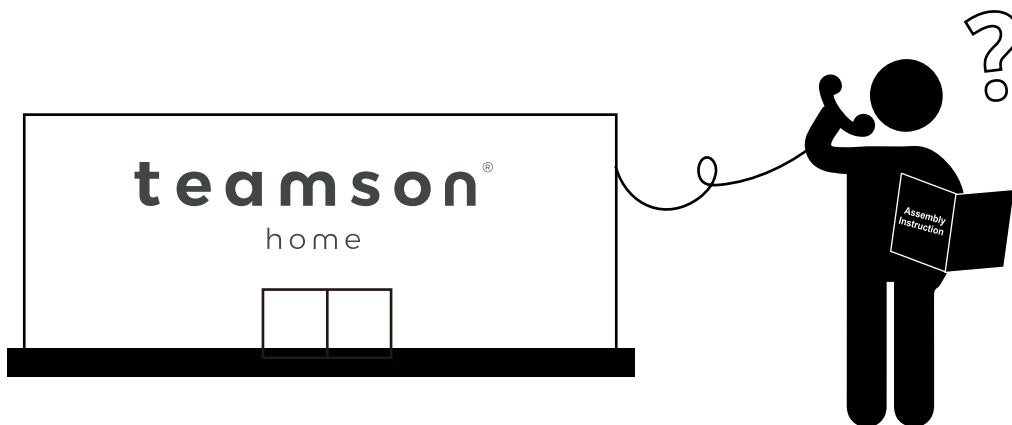
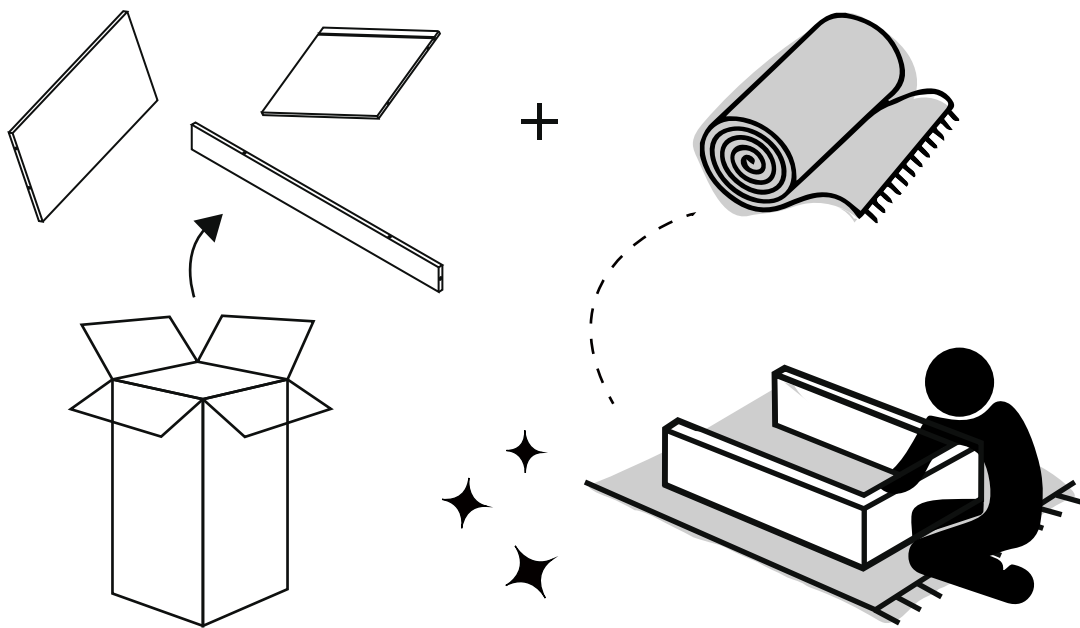
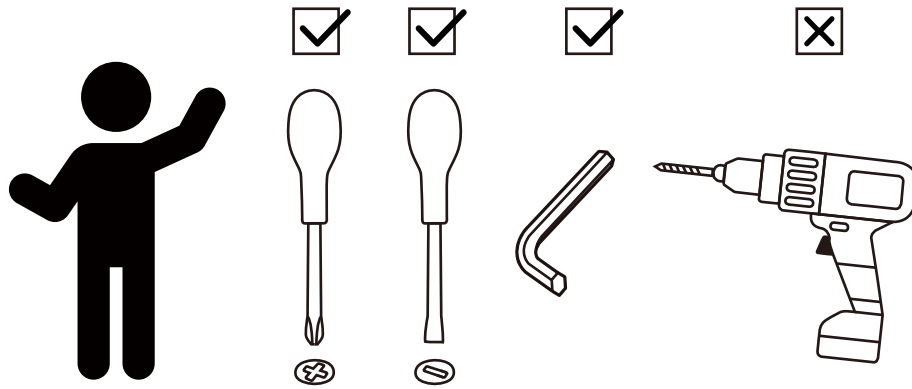
✉ [sales\\_ec@teamson.com](mailto:sales_ec@teamson.com)

台北办公室:

**+886(2)2556-6268**

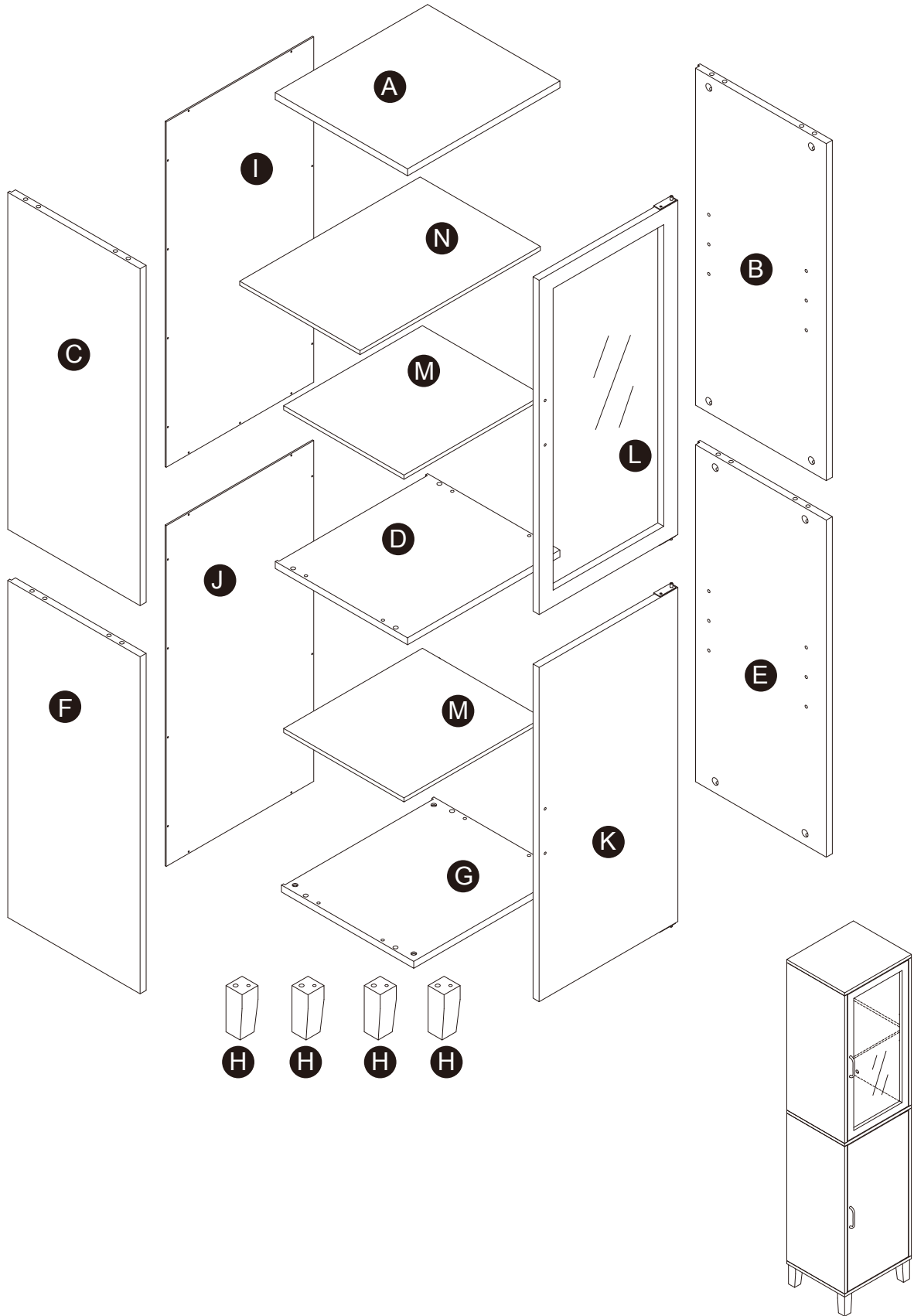
Mon - Fri 9:00am ~ 5:00pm GMT+8

✉ [sales\\_ec@teamson.com](mailto:sales_ec@teamson.com)



\*\* Got questions? Please have your product code (on the first page of this instruction, e.g. TD-12345A) and the order number ready, give us a call or email us through our customer care support! We are always ready to assist you!

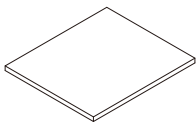
# Exploded Drawing



Scan for assembly instructions.

## Product Parts

A



1 PC

B



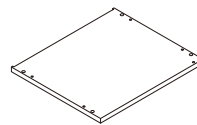
1 PC

C



1 PC

D



1 PC

E



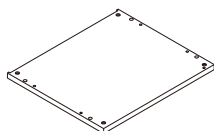
1 PC

F



1 PC

G



1 PC

H



4 PCS

I



1 PC

J



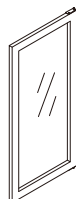
1 PC

K



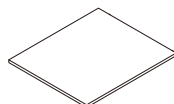
1 PC

L



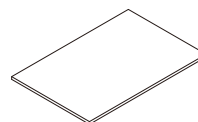
1 PC

M



2 PCS

N



1 PC



Scan for assembly instructions.

### ! Care Instructions

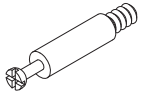
Dust surface with a dry soft cloth. Do not use window cleaners or cleaning abrasives as they will scratch the surface and could damage the protective coating

### ! WARNING

Small parts and sharp edges may be present prior to assembly.

# Hardware

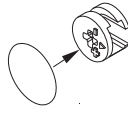
1



Ø6\*35mm

16 PCS

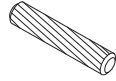
2



Ø15\*9

16 PCS

3



Ø6\*30mm

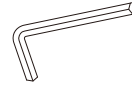
20 PCS

4



4 PCS

5



1 PC

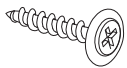
6



1/4"\*25mm

4 PCS

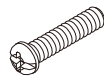
7



Ø3\*10mm D=7

25 PCS

8



5/32"\*16mm

4 PCS

9



2 PCS

10



8 PCS

11



1 PC

12



2 PCS

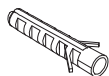
13



Ø4\*38mm

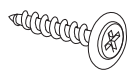
1 PC

14



1 PC

15



Ø3\*14mm D=7

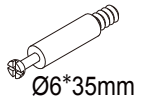
1 PC



Scan for assembly instructions.

# Step 1

1



4 pcs

2

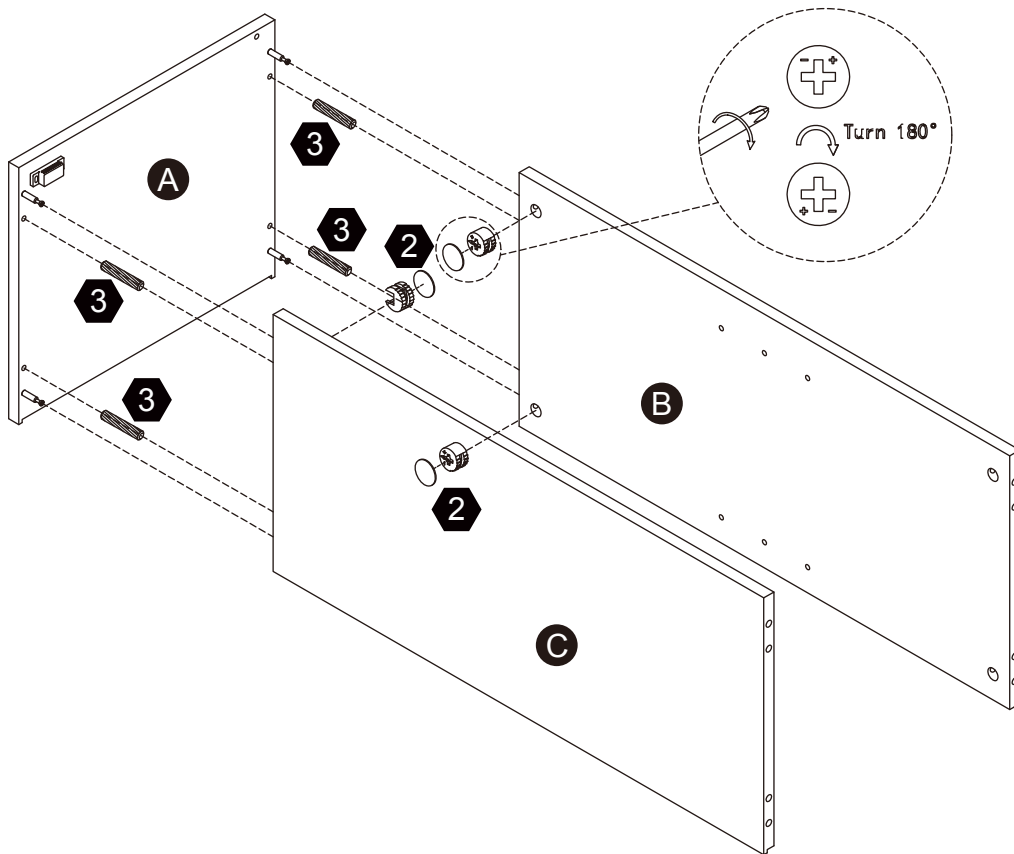
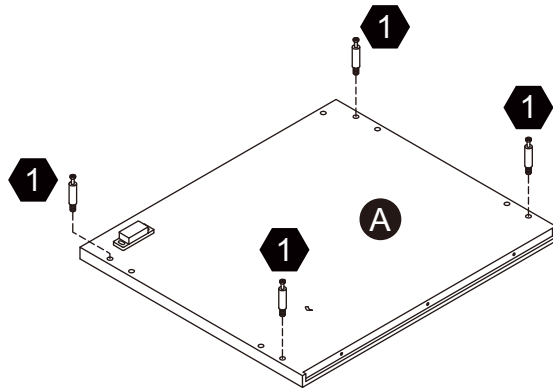


4 pcs

3



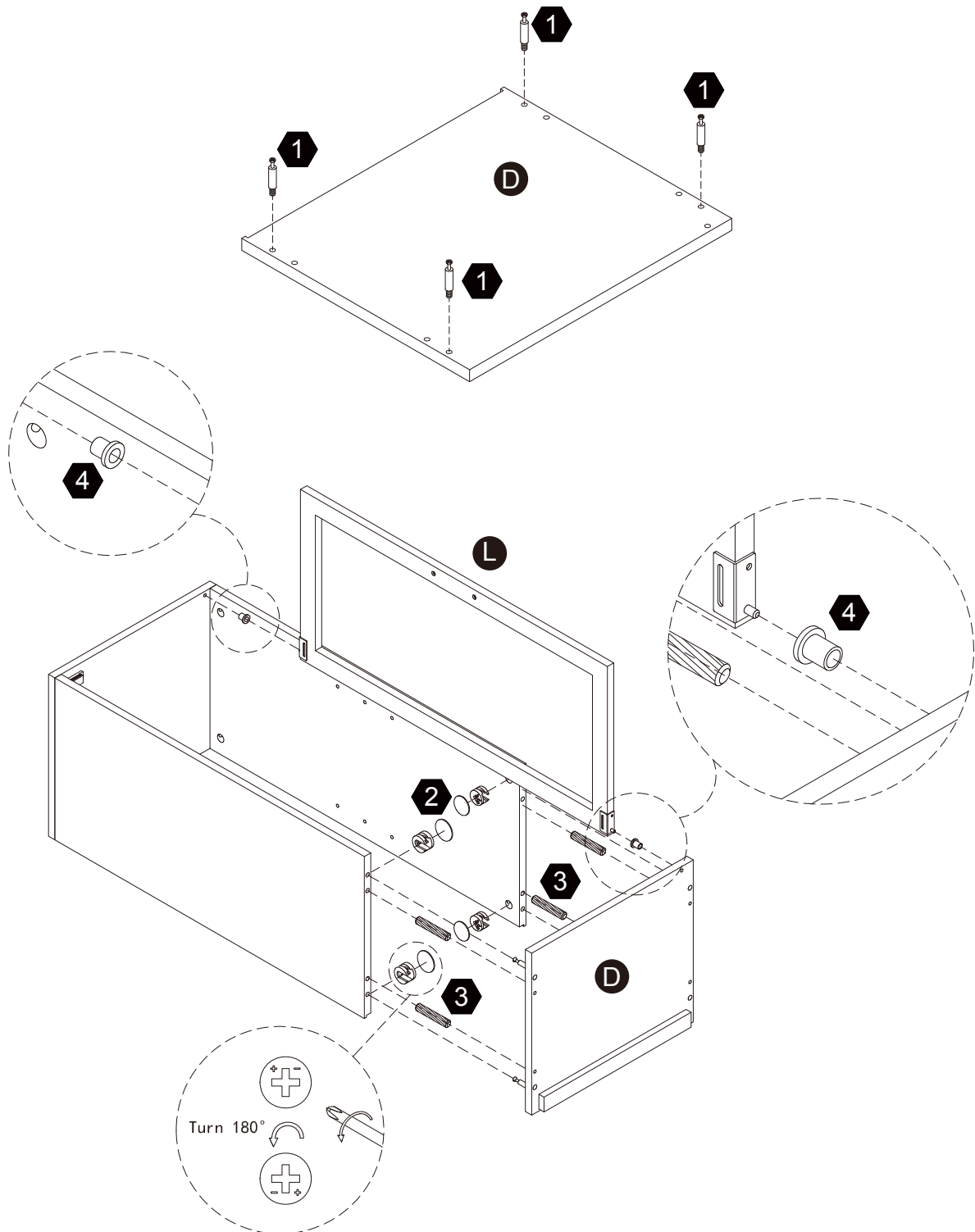
4 pcs



Scan for assembly instructions.

## Step 2

- 1**  4 pcs **2**  4 pcs **3**  4 pcs **4**  2 pcs
- $\text{Ø}6*35\text{mm}$   $\text{Ø}15*9$   $\text{Ø}6*30\text{mm}$

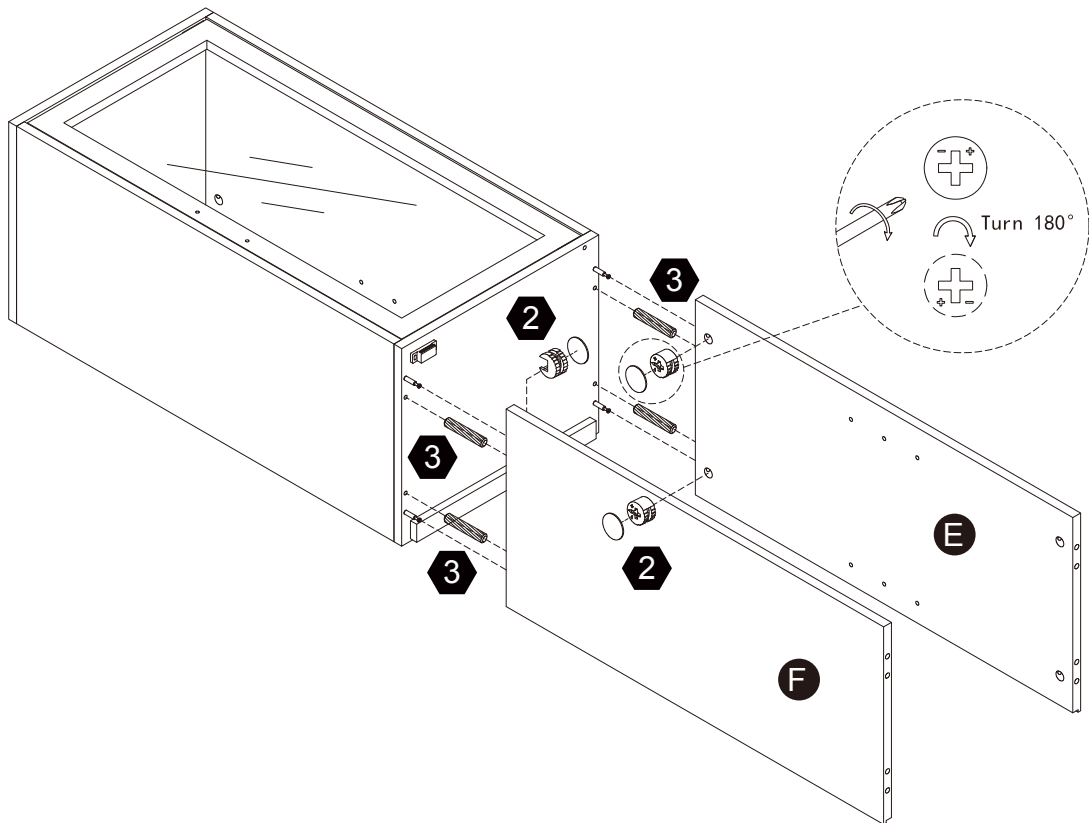
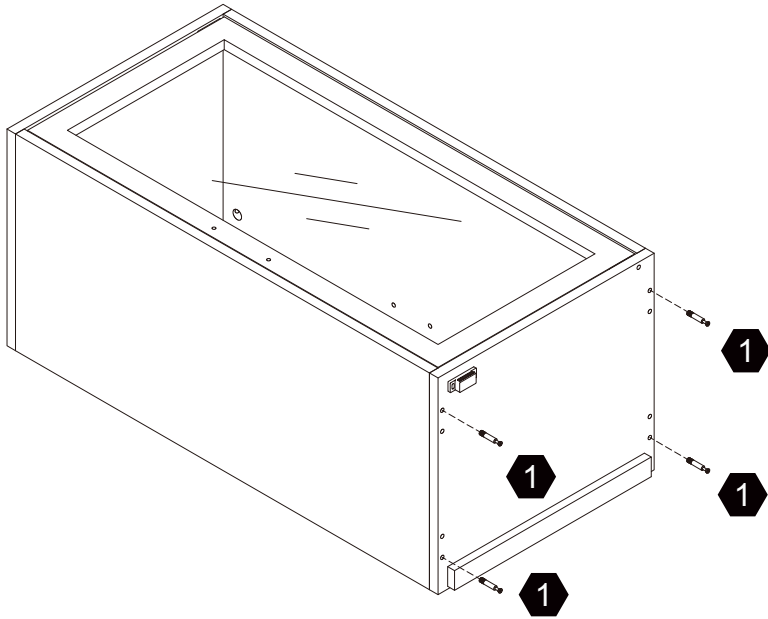


Scan for assembly instructions.



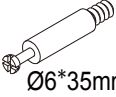



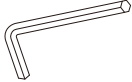
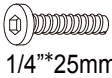
## Step 3

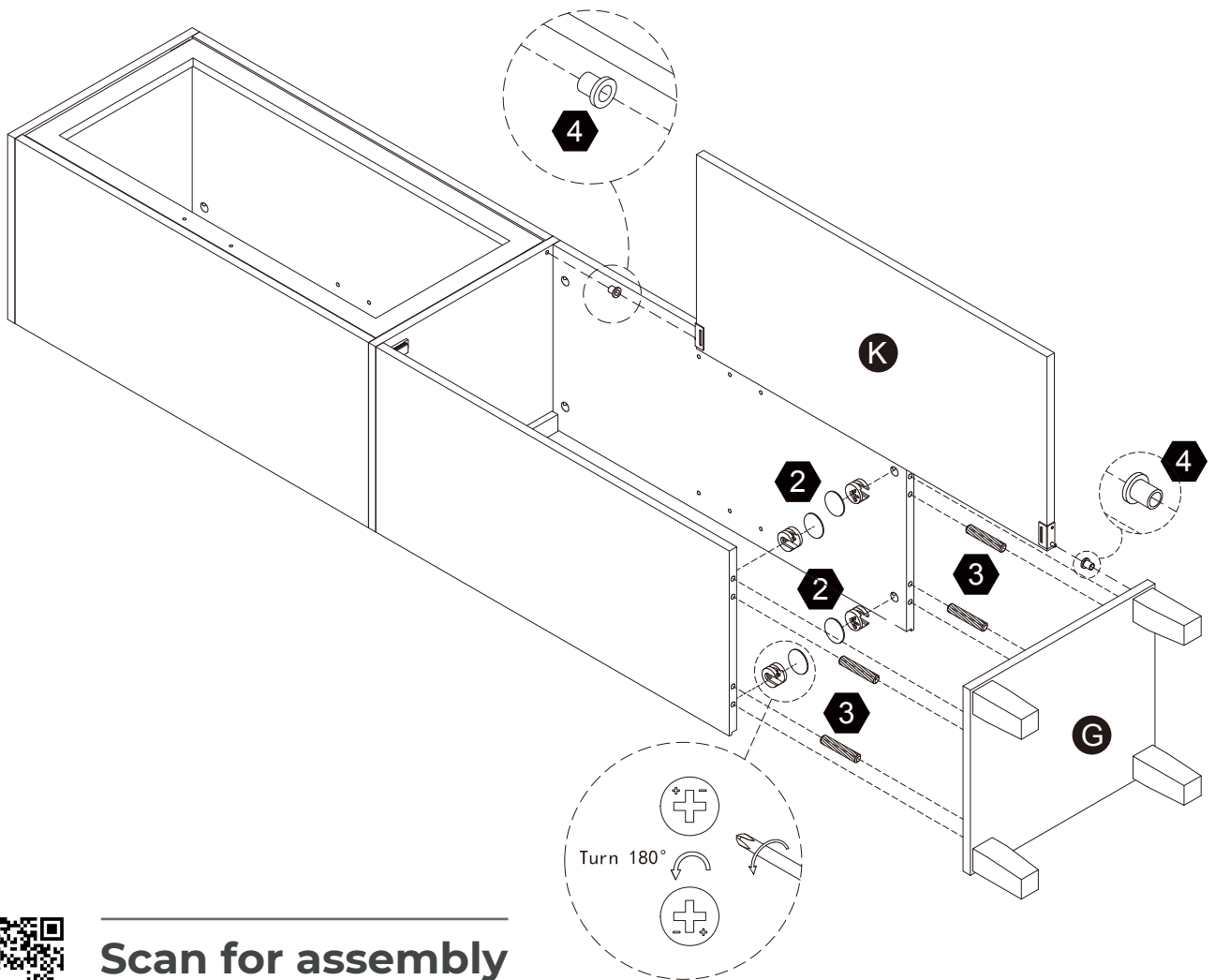
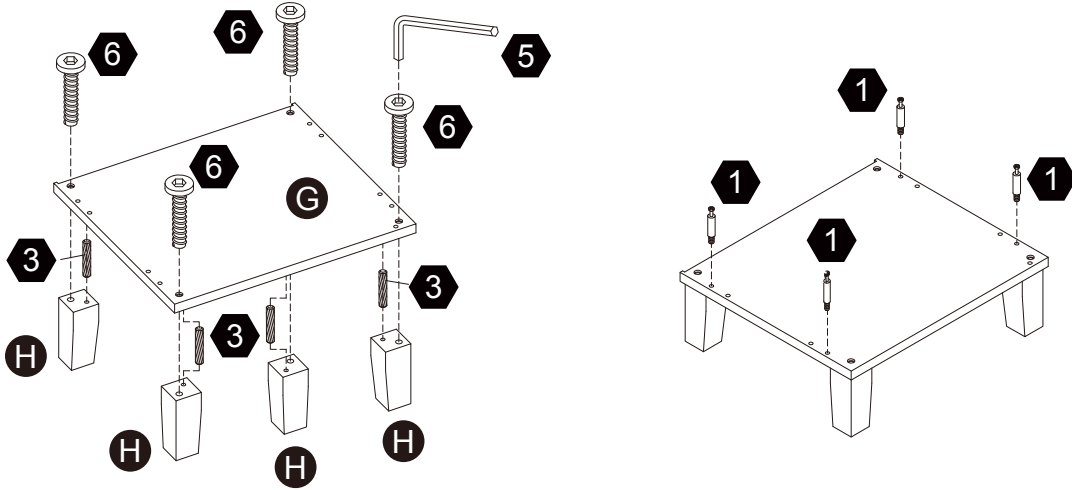
- 1**  4 pcs  $\text{\O}6*35\text{mm}$
- 2**  4 pcs  $\text{\O}15*9$
- 3**  4 pcs  $\text{\O}6*30\text{mm}$



Scan for assembly instructions.


# Step 4

- 1  4 pcs  $\text{Ø}6 \times 35\text{mm}$
- 2  4 pcs  $\text{Ø}15 \times 9$
- 3  8 pcs  $\text{Ø}6 \times 30\text{mm}$
- 4  2 pcs
- 5  1 pc
- 6  4 pcs  $1/4'' \times 25\text{mm}$



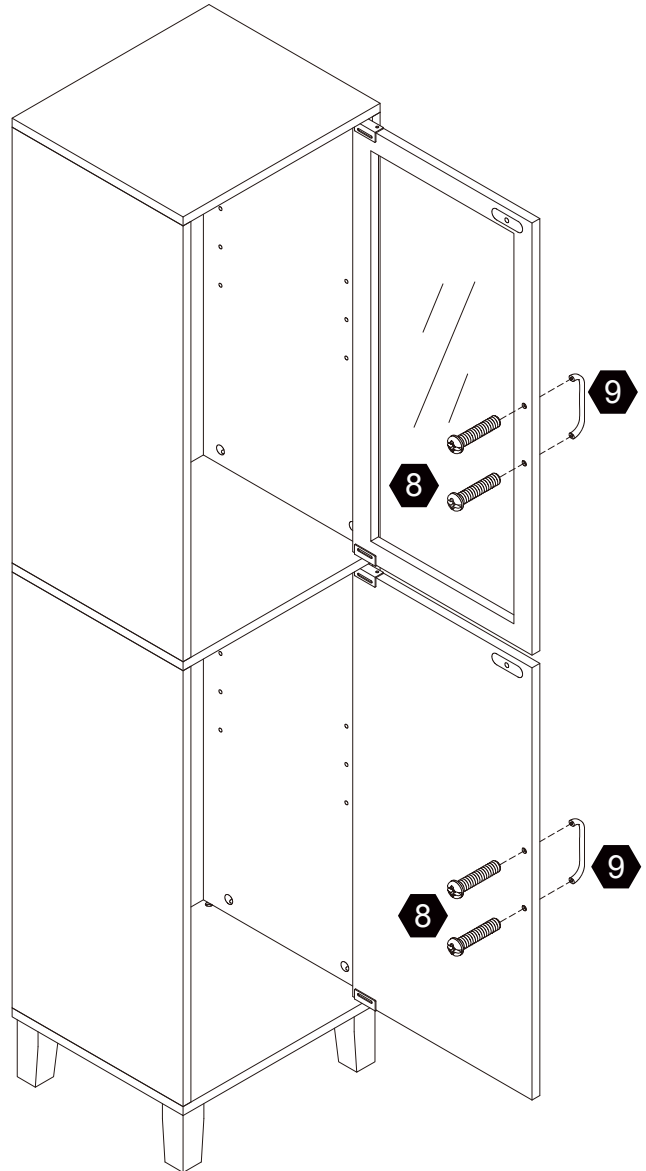
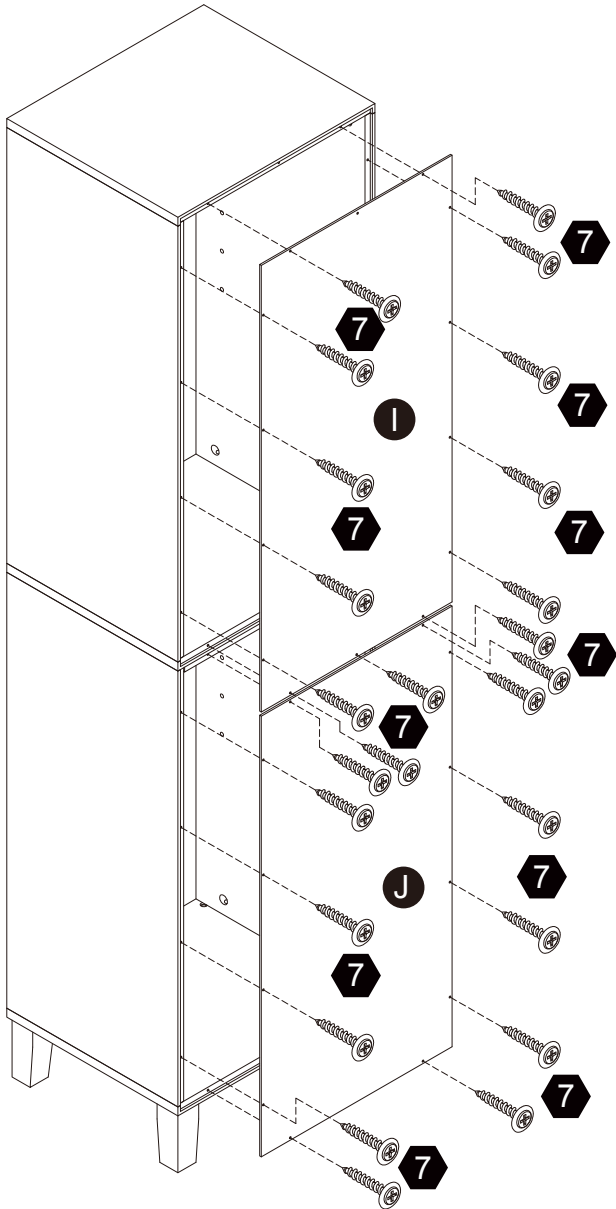
Scan for assembly instructions.

## Step 5

**7**  25 pcs  
Ø3\*10mm D=7

**8**  4 pcs  
5/32"\*16mm

**9**  2 pcs



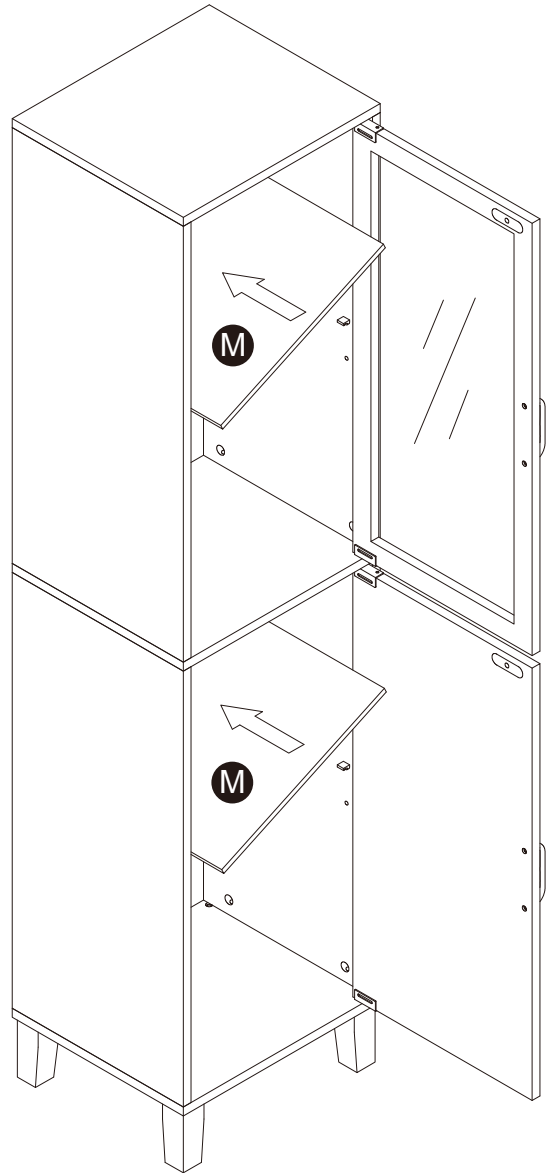
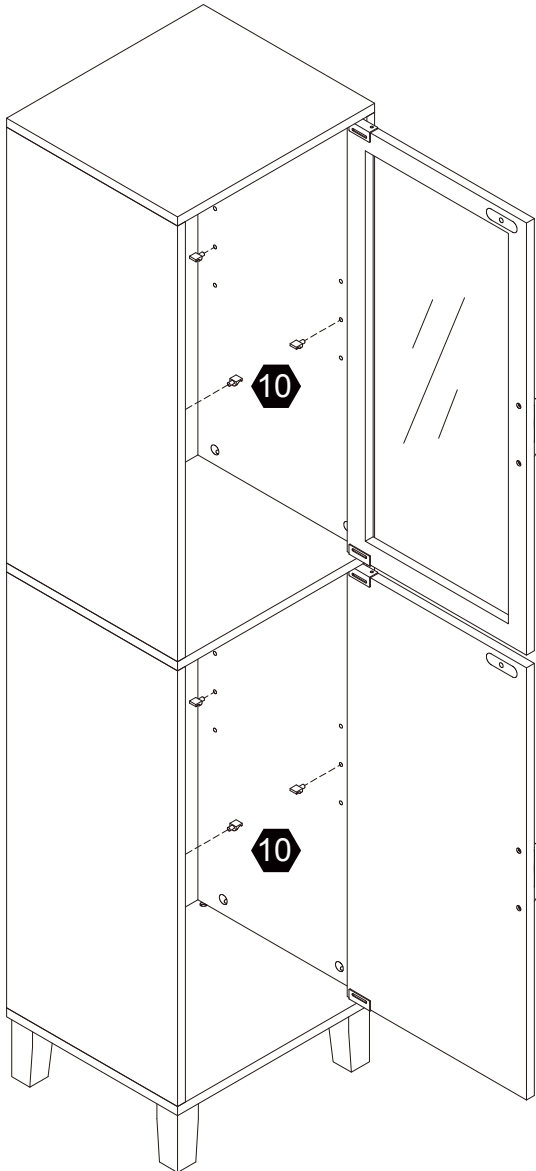
Scan for assembly instructions.

## Step 6

10

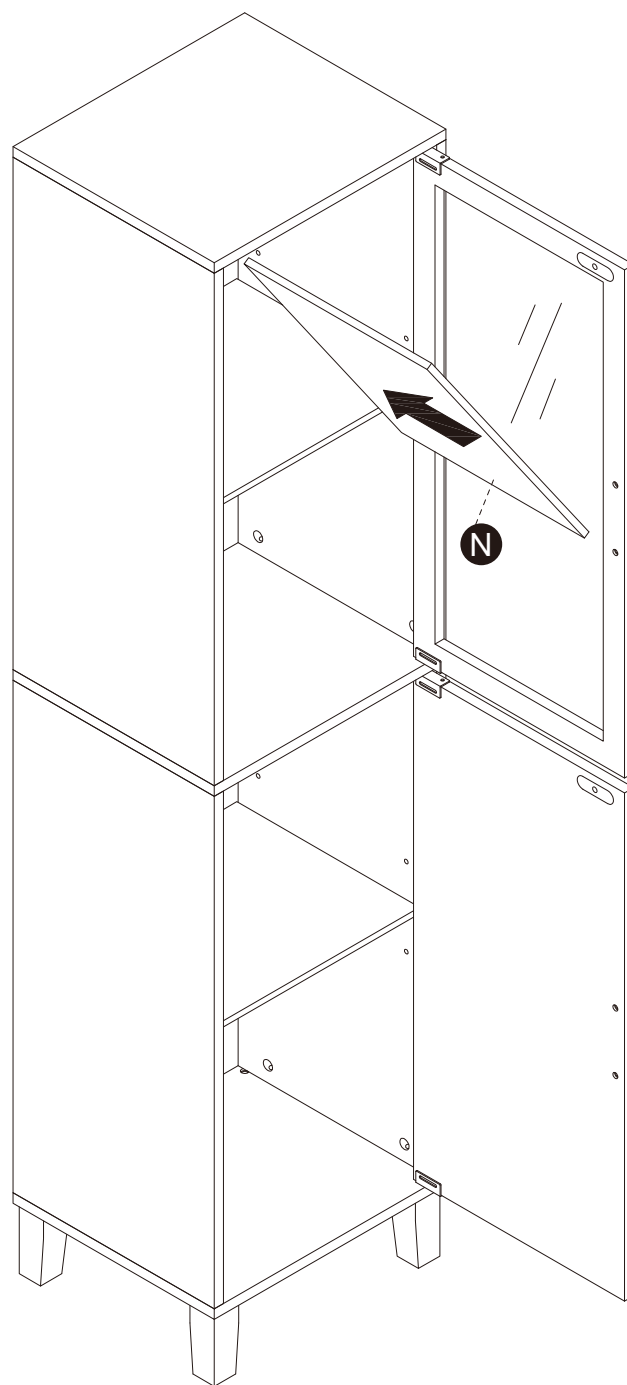


8 pcs



Scan for assembly instructions.

## Step 7



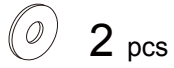
Scan for assembly instructions.

## Step 8

11



12



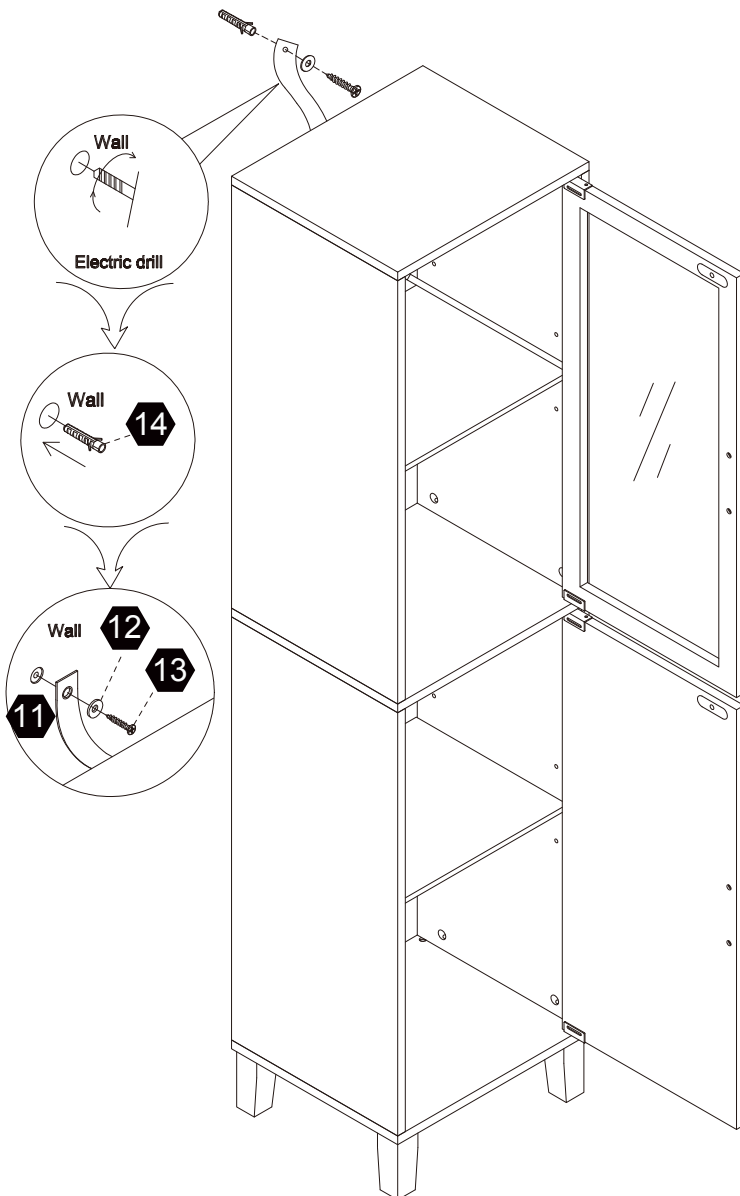
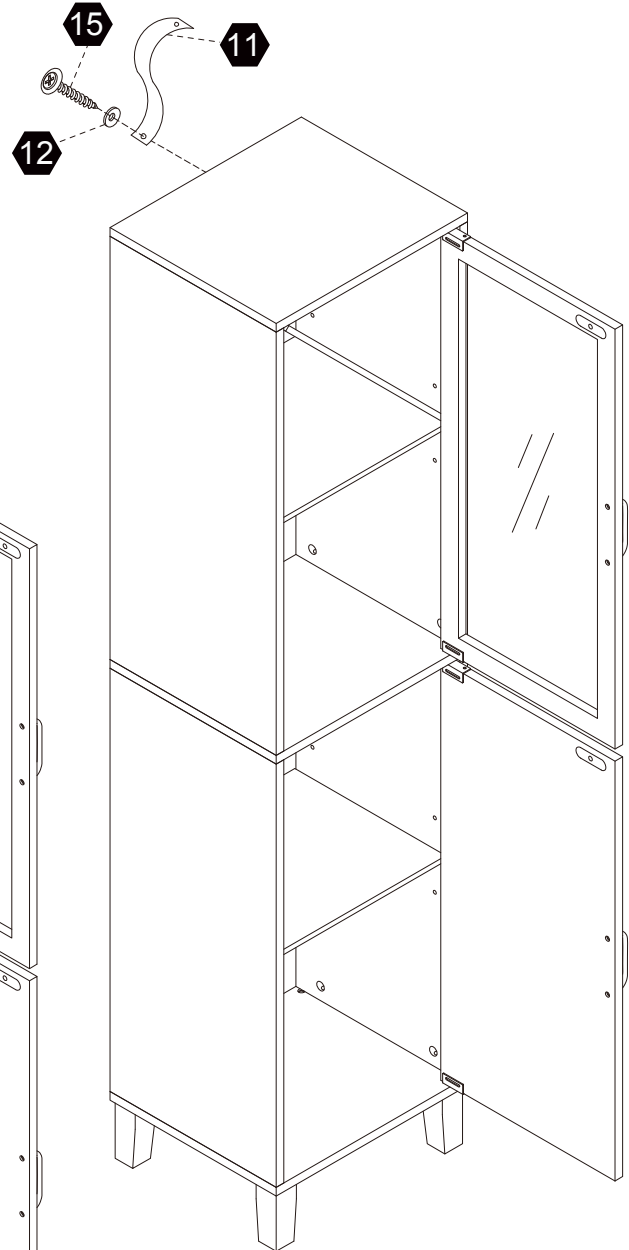
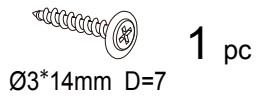
13



14



15



Scan for assembly instructions.