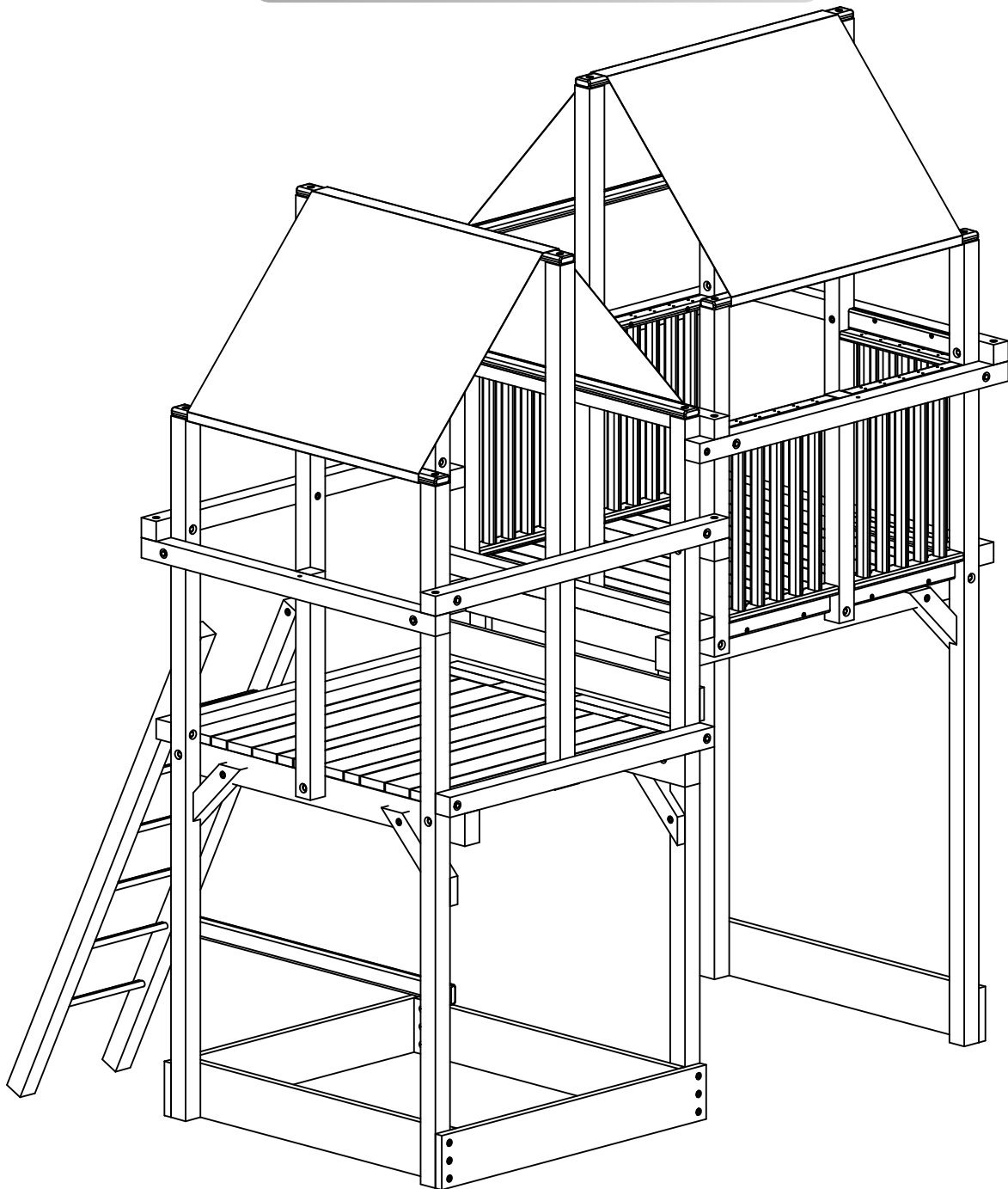




## Playhouse Double Decker

## Assembly Instructions



Every day is a great day in Woodplay.™

2101 Harrod Street • Raleigh, NC 27604 • 800/982-1822 • 919/875-4499 • Fax 919/875-4264

PA-MAN-PH-DD-01

©2011 Woodplay. All rights reserved.

# I N T R O D U C T I O N

Welcome to our family of ready-to-build backyard play equipment. WOODPLAY playsets are designed with ease of assembly in mind and we provide these step-by-step installation instructions.

After reading the information below, locate your structure site and carefully unpack parts. As you unpack your playset, notice the part identification tags on each part and become familiar with each part before beginning assembly. Remember that a little extra time spent familiarizing yourself with the parts and instructions before you begin will help you avoid mistakes and save you time later.

## Choosing A Location For Your Playset

When selecting your structure site, always keep the child's safety in mind. Here are some recommendations to help you create a safe play area.

A. The playset should be located on level ground. The stationary components such as ladders and slides are **REQUIRED** to be a minimum of six feet from any structure or obstruction such as a fence, garage, house, tree or overhanging branches, electrical wires or clotheslines. Any swinging equipment is also **REQUIRED** to be a minimum distance twice the height of the swing beam away from these obstructions or structures as well. We also recommend that you do not install your playset near a lake, river, swimming pool or other water hazard.

B. The U.S. Consumer Product Safety Commission (CPSC) recommends that you install and maintain a resilient surface under your play equipment. The CPSC's Consumer

Information Sheet for Playground Surfacing Materials is on the last page. A resilient surface, should be installed after the equipment has been completely assembled according to these instructions. The equipment must rest on solid ground. Please note that this product has a maximum fall height of 8'.

Do not install home playground equipment indoors, or over concrete, asphalt, packed earth, grass, carpet or any other hard surface. A fall onto a hard surface can result in serious or fatal injury.

Responsible on-site adult supervision is one of the most important contributions to children's safety that you can make. WOODPLAY strongly recommends on-site adult supervision of children of all ages. Safe swinging and climbing skills need to be taught to children, just like any other physical activity.

## Maintaining Your Playset

Here are some maintenance tips required to insure safe enjoyment of your equipment for years to come.

A. At the beginning of each usage season and every two weeks during, check: nuts and bolts and tighten as needed, swing seats, chains, ladders, slides, rope and wood components for signs of deterioration and replace if necessary.

B. On a yearly basis, we recommend that you coat your playset with a sealant or preservative. You may also want to spot sand any areas prior to sealing. Be sure that the sealant you select is non-toxic and child safe. Your local WOODPLAY dealer may offer a complete sealant and maintenance program.

C. Do not use line trimmers or "weed eaters" around your play equipment. The line will remove both paint and wood from uprights and base pieces. Any damage resulting from this type of abuse is not covered under our limited warranty.

D. Remove plastic swing seats and take indoors or do not use when the temperature drops below 0° F.

E. When the time comes to disassemble and dispose of the play equipment, do so in such a way that no hazards will exist at the time the equipment is discarded.

**If you have any questions about your playset, or are in need of replacement parts, contact your local WOODPLAY Representative. Please keep these instructions for future reference.**

# S A F E T Y I N S T R U C T I O N S

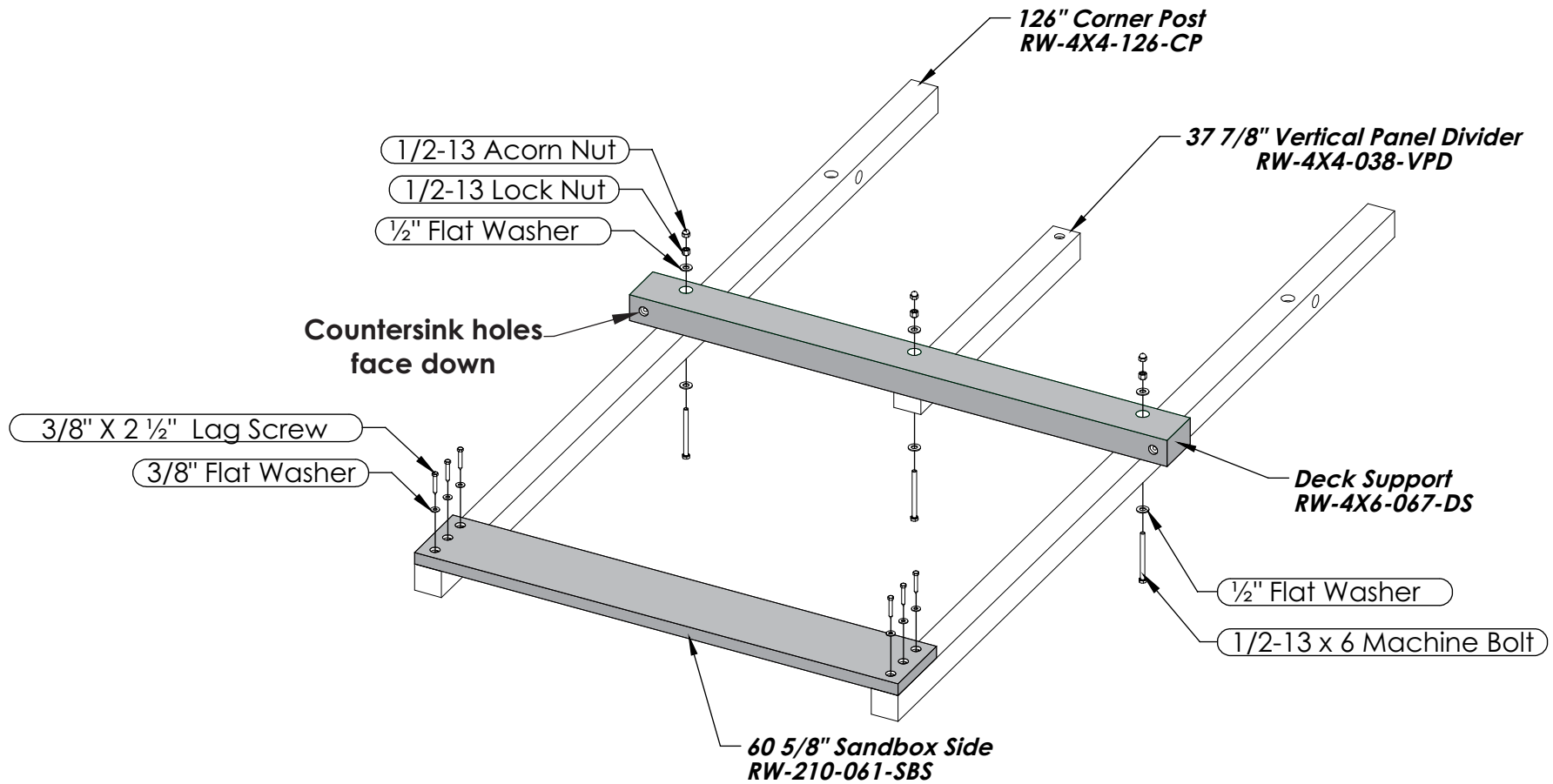
## Adults Must:

- Limit climbing and swinging heights to each child's ability.
- Verify that suspended climbing ropes are secured at both ends.
- Verify that suspended climbing ropes cannot be looped back on themselves.
- Dress children appropriately for play. Use well-fitting Shoes that do not have slippery soles.
- Avoid ponchos, scarves, hoods, loose-fitting clothing, neckties, and any clothing with a drawstring. Serious injury could result should any part of the children's clothing become entangled in the equipment.
- Do not allow children to play wearing helmets.
- Remember that children are inventive. When they develop games that are unsafe, be alert and change the rules.
- Note the weight limit for any single user on WOODPLAY equipment is 200 pounds. Limit the number of users to one on each swing. The tower portion of the play system will accommodate four to six additional users with a max combined weight of 1100 pounds for entire playset.
- This product is intended for use by children from ages 3 to 12 years of age

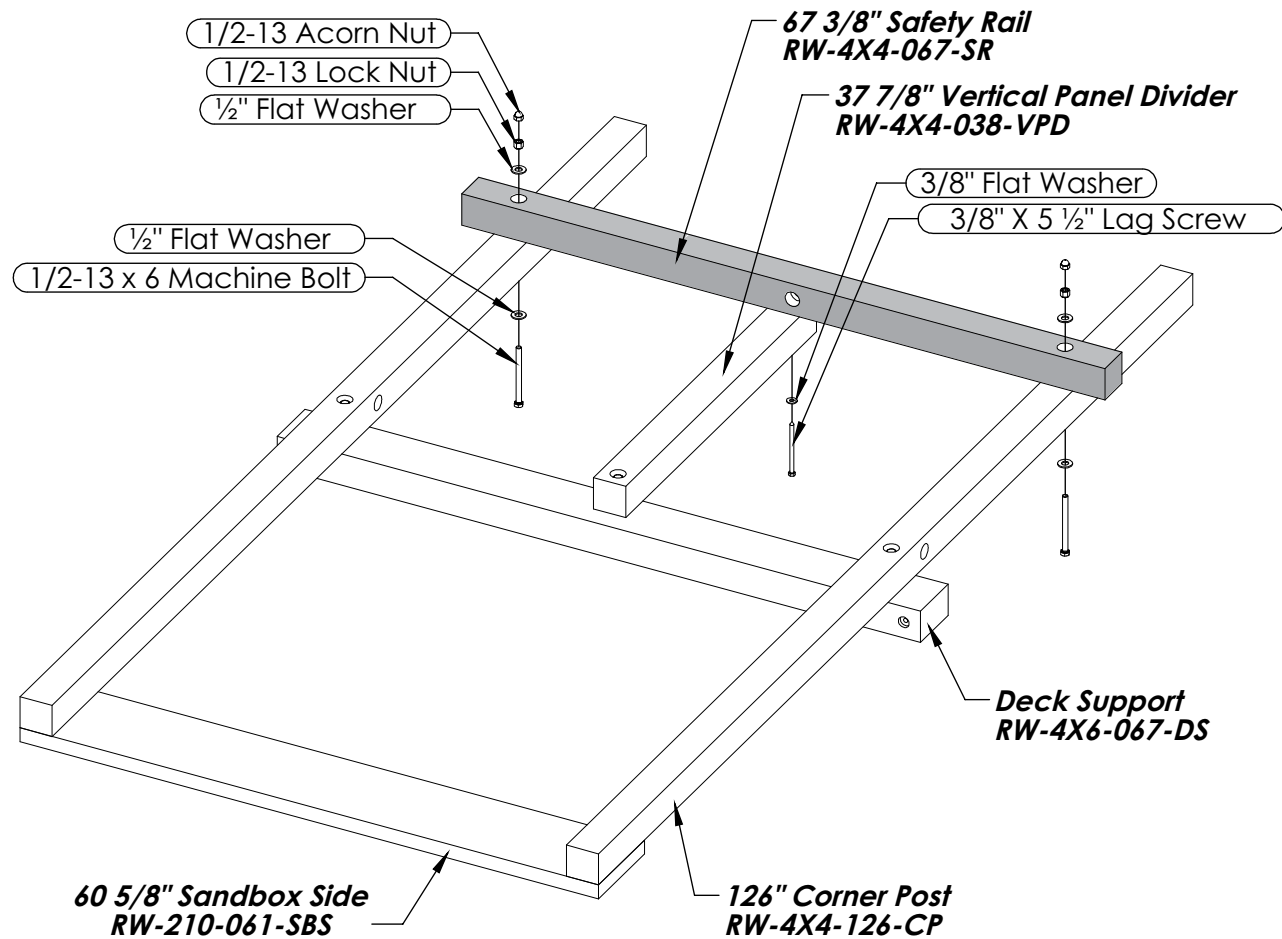
## Teach Children:

- Not to walk close to, in front of, behind, or between moving items.
- Not to twist the swing ropes, or loop them over the top support bar, since this may reduce the strength of the rope.
- Not to swing empty swing seats.
- Not to swing sideways into the path of adjacent swings.
- Not to use the equipment in a manner other than that for which it is intended.
- Not to get off the equipment while it is in motion.
- Not to jump off the tower.
- Not to climb or swing when they are wet or when the equipment is wet.
- To sit in the center of the swings with their full weight on the seats.
- To hold on to swings and climbers with both hands.
- Not to stand in the swing seats.
- Not to ride or leave bicycles or other toys in the swing area.
- Not to use hammers, saws, nails, or wrenches on the equipment.
- Not to swing so high that chains become slack, or above the height of the swing support.
- Not to jump on a slide.
- Not to climb on top of the swing support.
- Not to attach to the playground equipment any item that is not specifically designed for use with the equipment, such as (but not limited to) jump ropes, clotheslines, pet leashes, cables, and chains. These may become strangulation hazards.
- To slide feet first, never head first.
- To watch for other children while swinging or playing near the equipment.

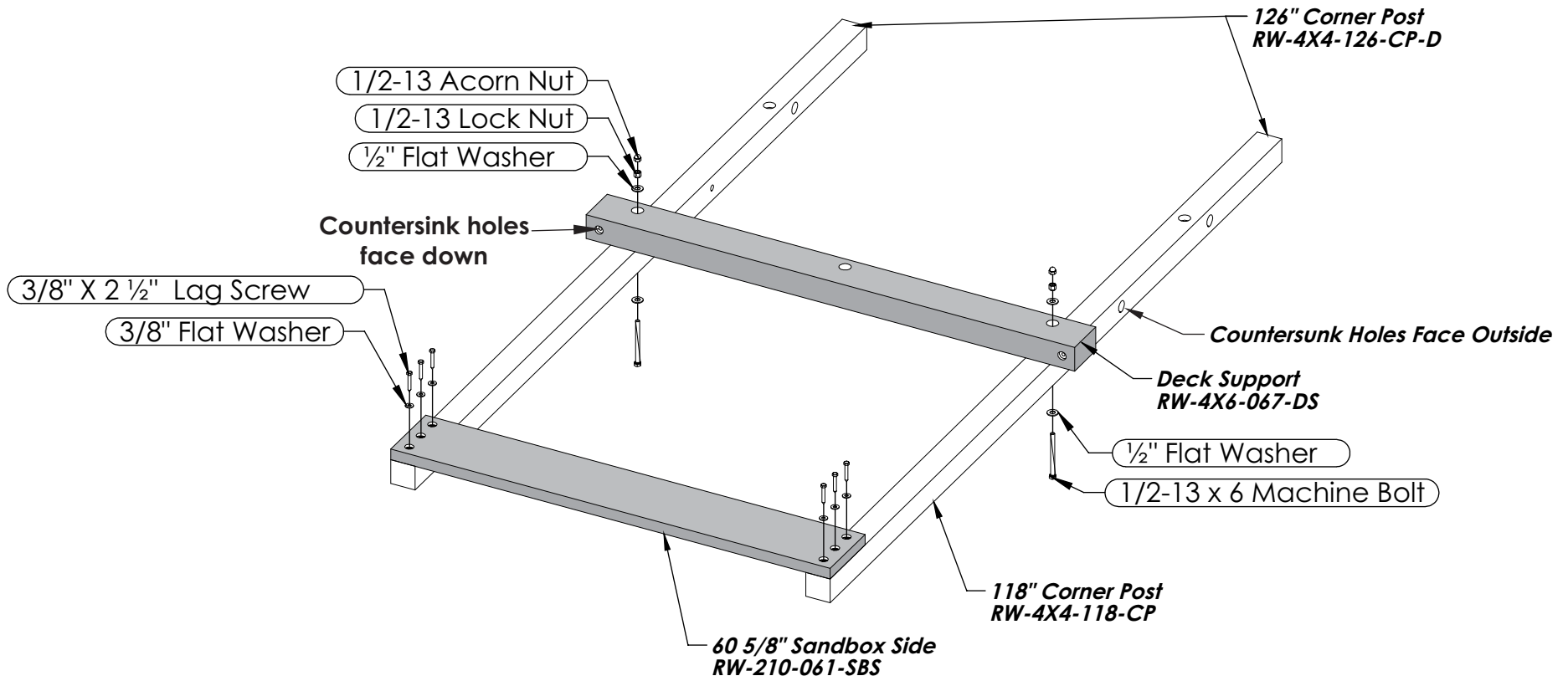
1. While flat on the ground lay Corner Posts and Vertical panel Divider parallel on the ground and attach Deck Support and Sandbox Side as shown.



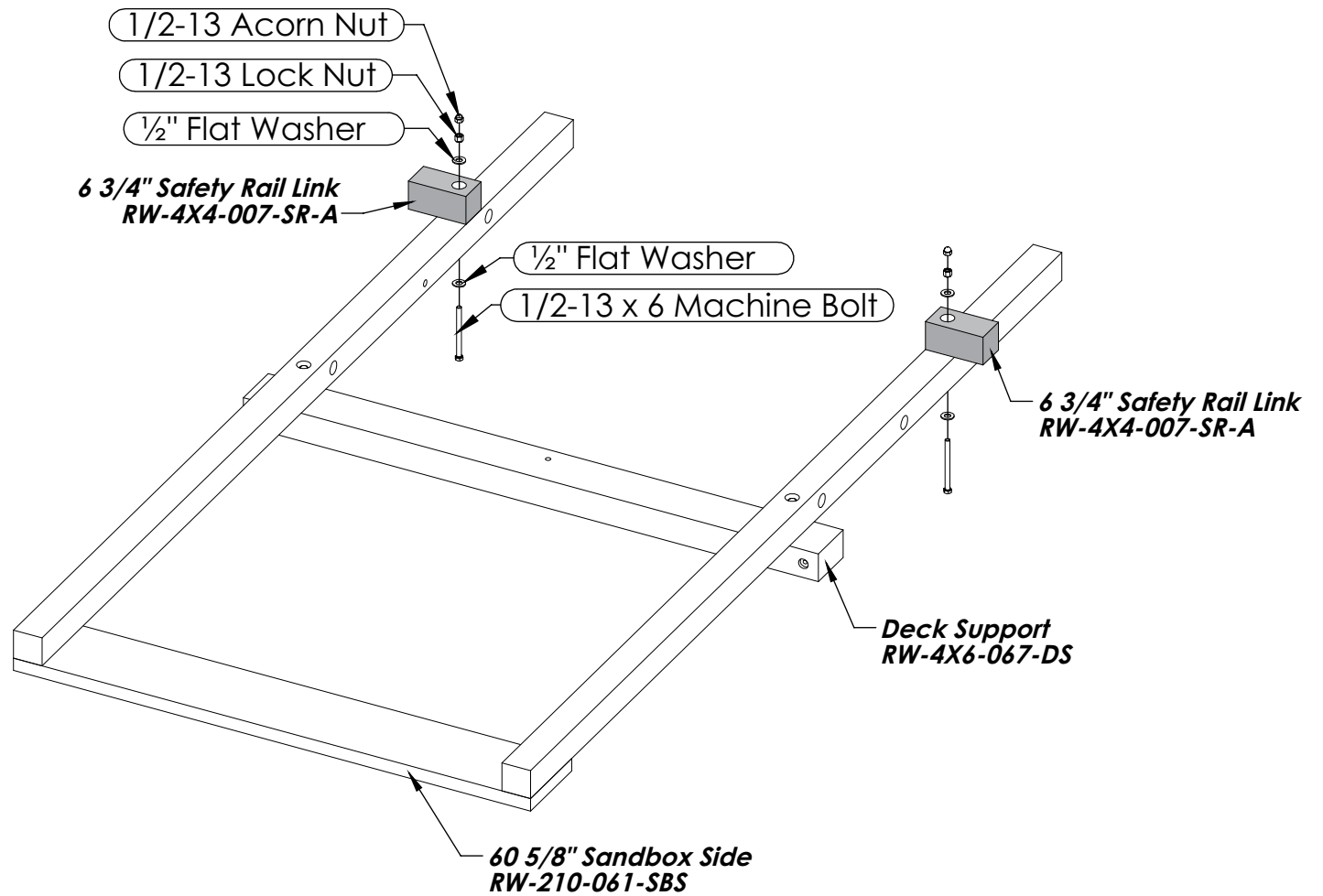
2. Flip Step 1 assembly over and attach Safety Rail as shown.



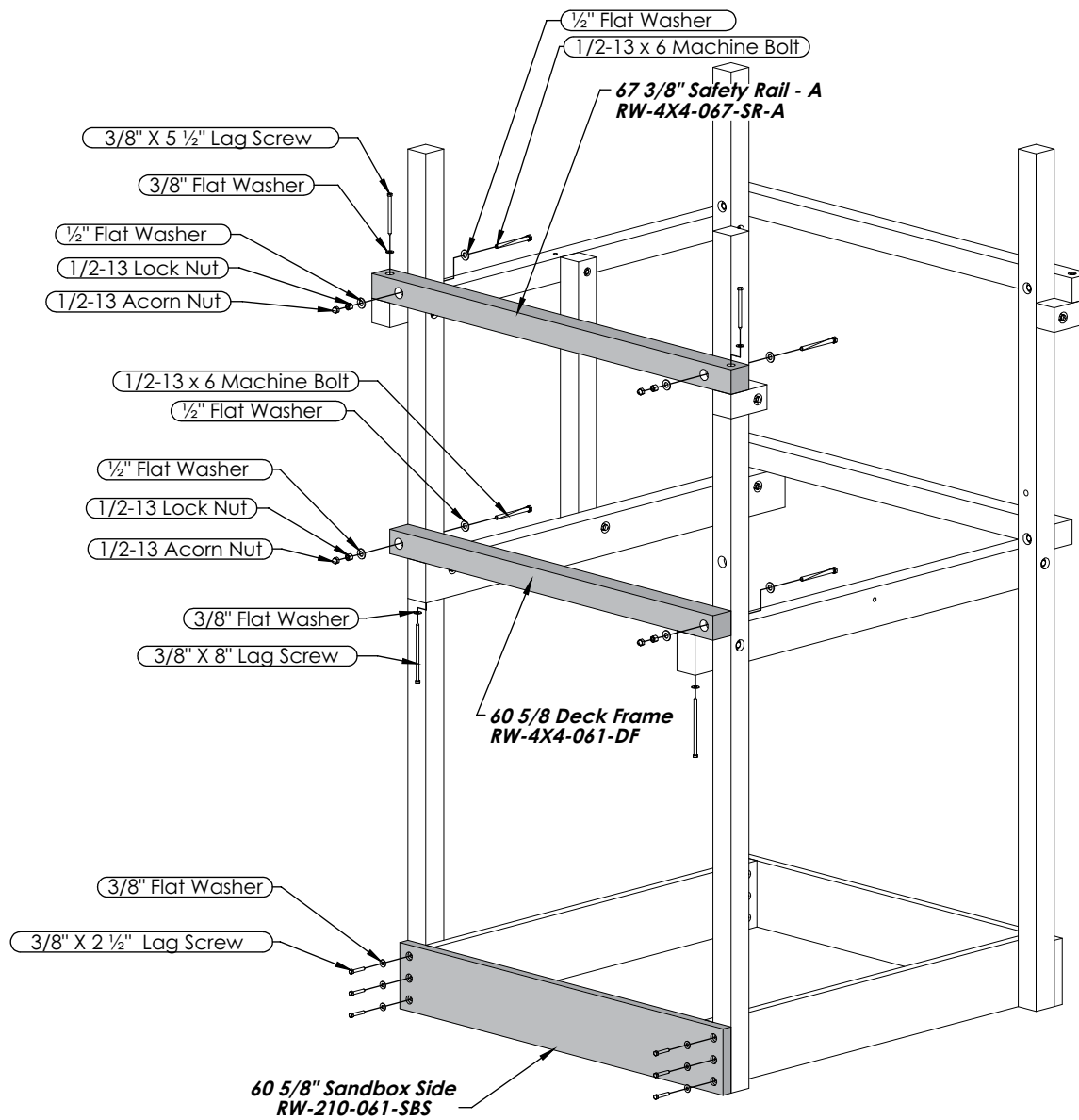
3. While flat on the ground lay Corner Posts parallel on the ground and attach Deck Support and Sandbox Side as shown.



4. Flip Step 3 assembly over and attach Safety Rail Links as shown.

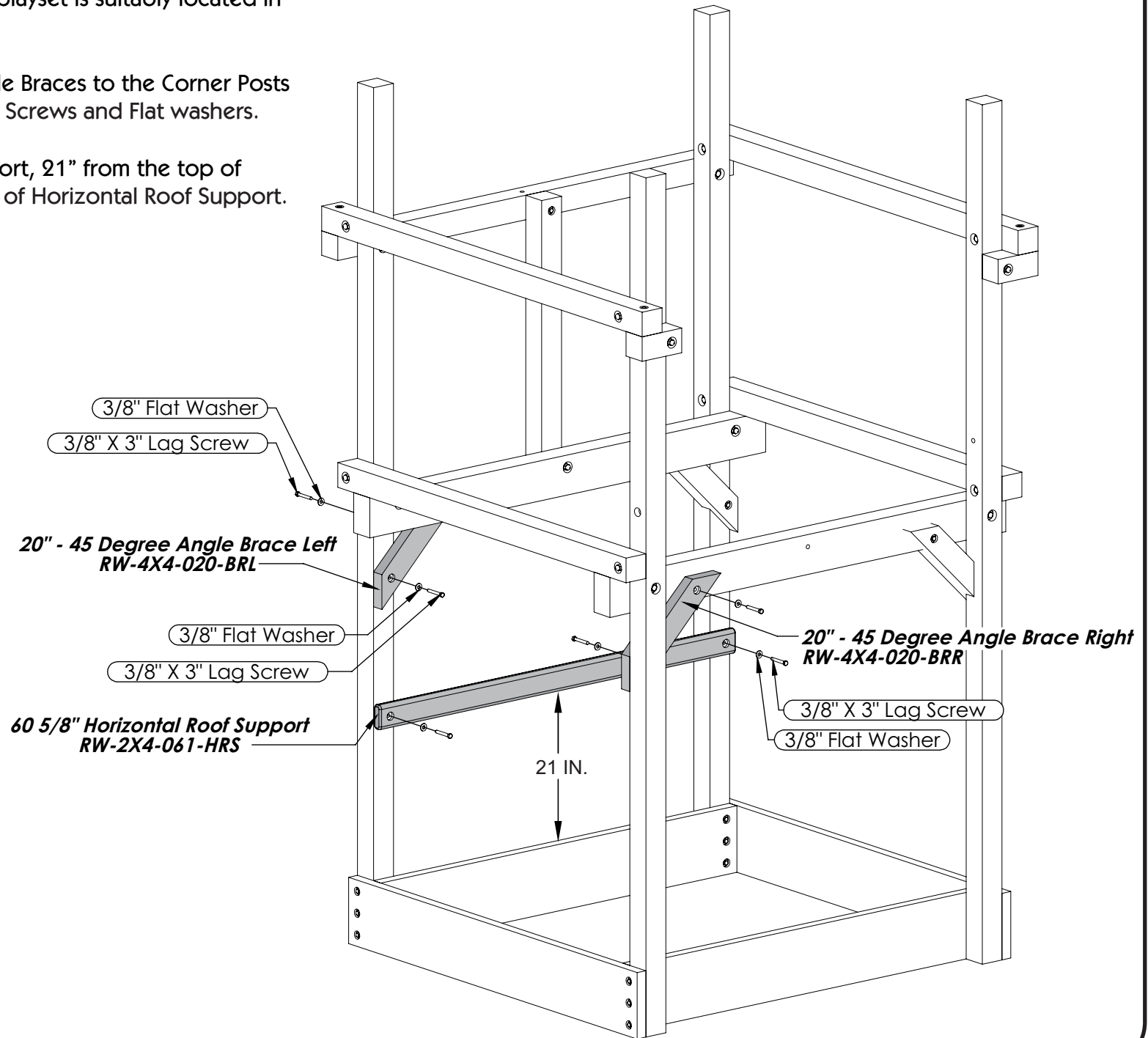


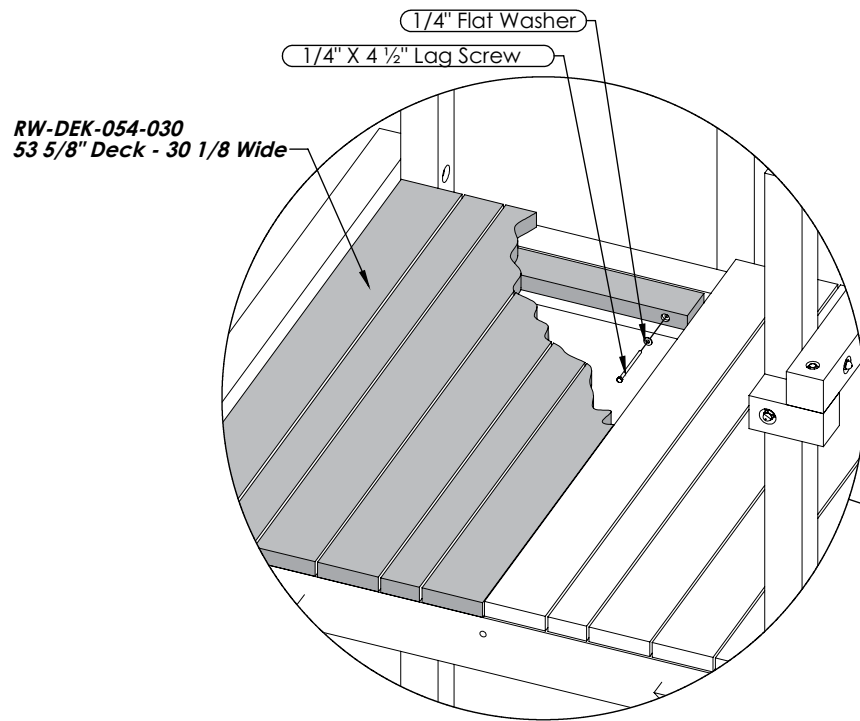
5. Attach Safety Rail, Deck Frame and Sandbox Side as shown.



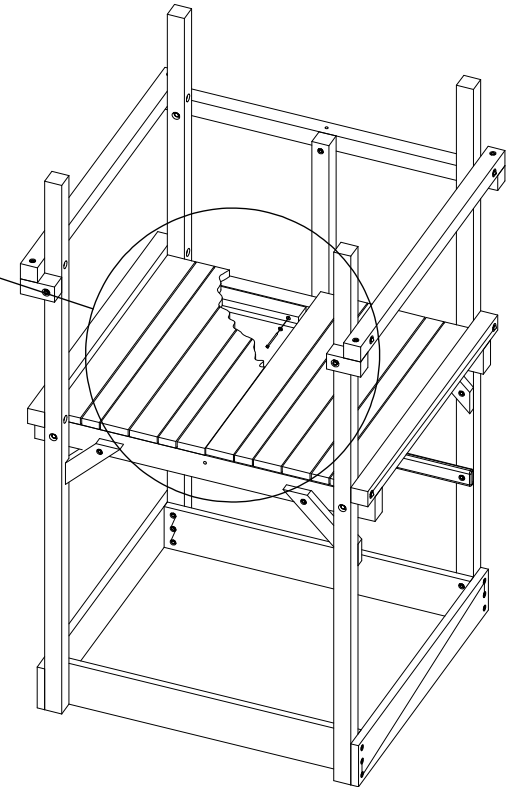


6. At this time, make sure your playset is suitably located in your yard and is level.
7. Install Right and Left 45° Angle Braces to the Corner Posts and Deck Supports using Lag Screws and Flat washers.
8. Attach Horizontal Roof Support, 21" from the top of Sandbox Side to the bottom of Horizontal Roof Support.

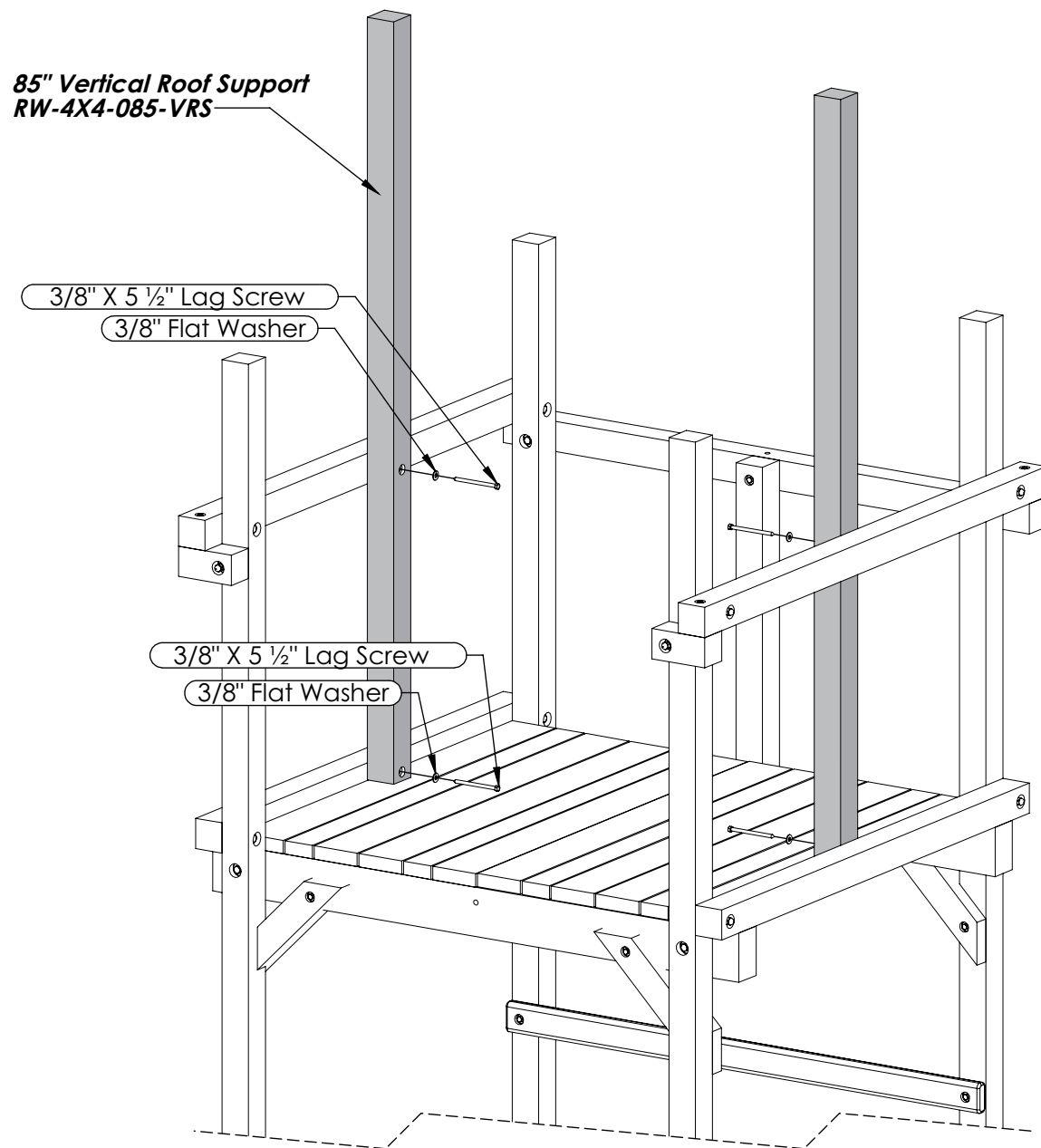




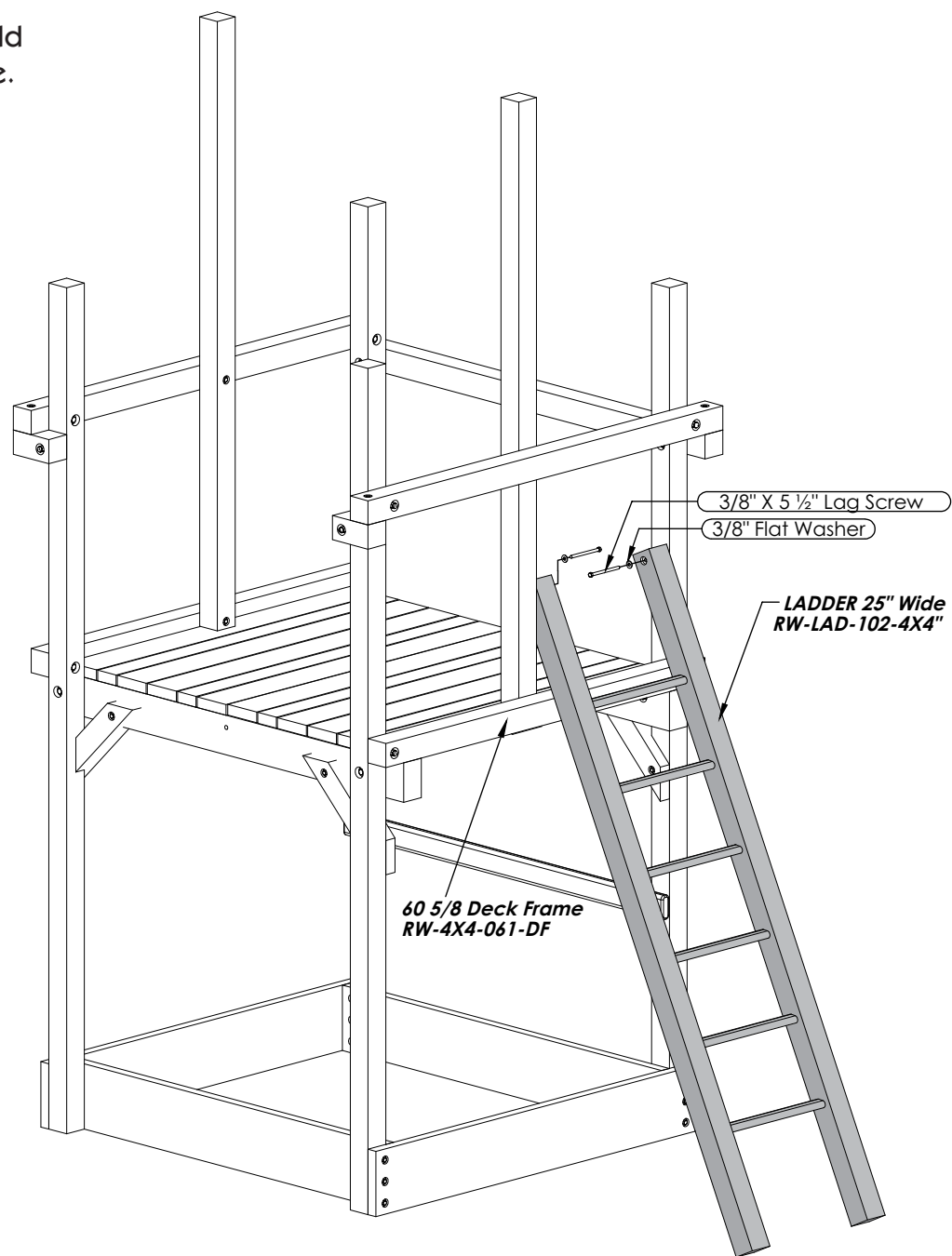
9. Place Deck Panels on top of Deck Frames, as shown, and attach from underneath using Lag Screws and Flat Washers.



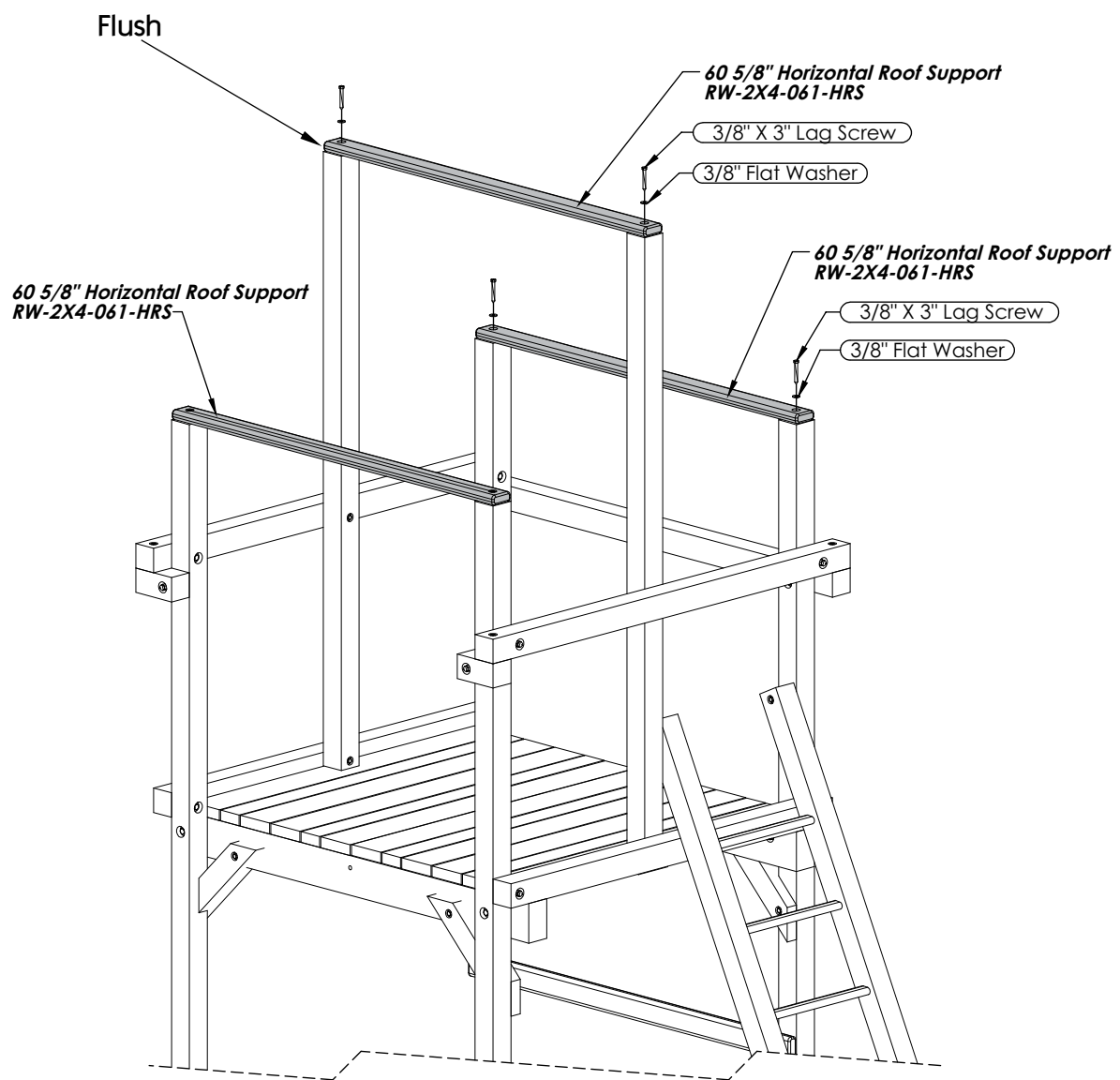
10. Using a carpenter's level, make sure the Vertical Roof Supports are level then attach with Lag Screws and Flat Washers.



11. Attach ladder with Lag Screws and Flat Washers as shown. The top of Rung should be around 5/8" below top of Deck Frame.



12. Attach Horizontal Roof Supports as shown using Lag Screws and Flat Washers.

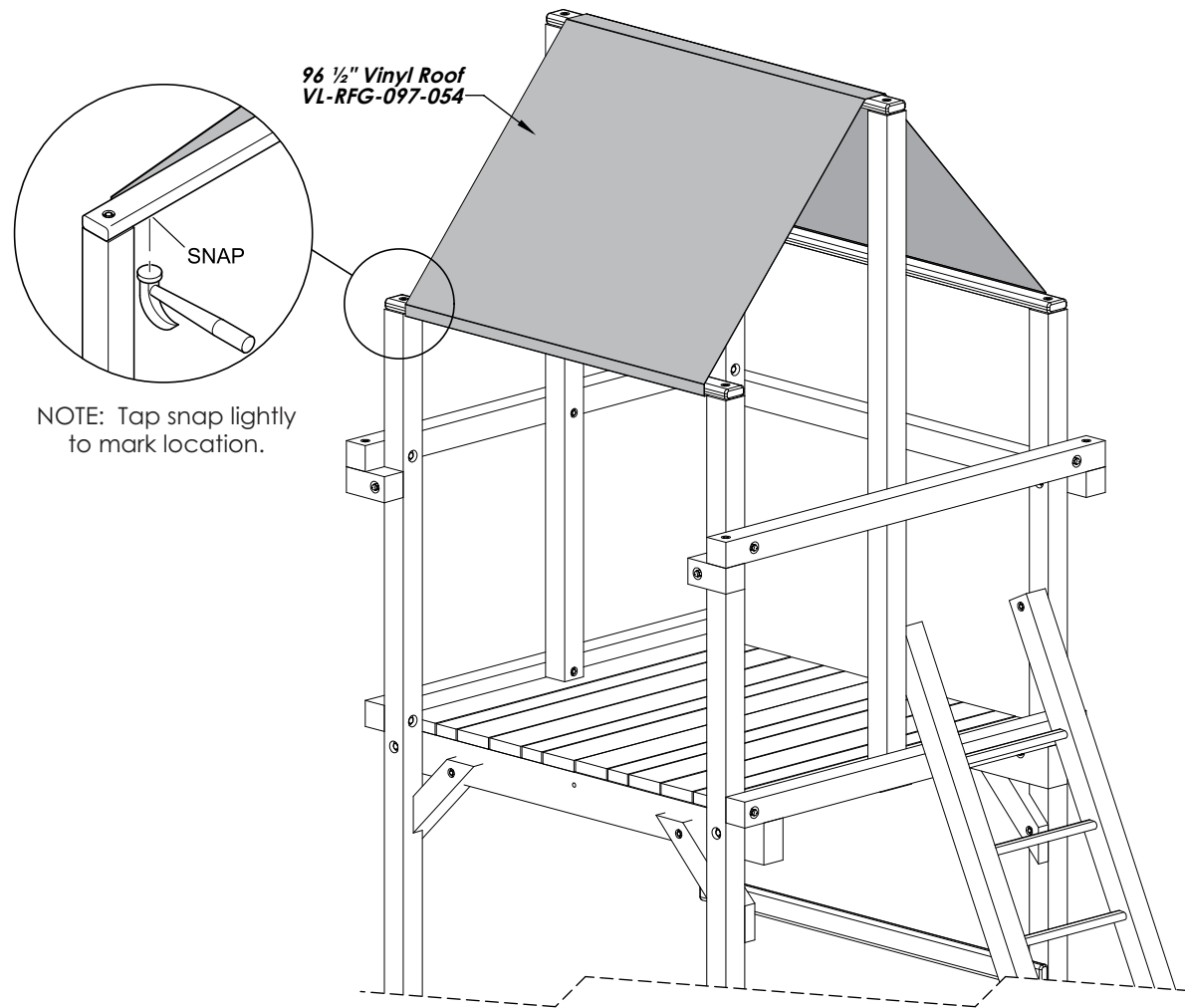


IF INSTALLING WOOD ROOF. **STOP HERE**  
AND GO TO WOOD ROOF INSTRUCTIONS.

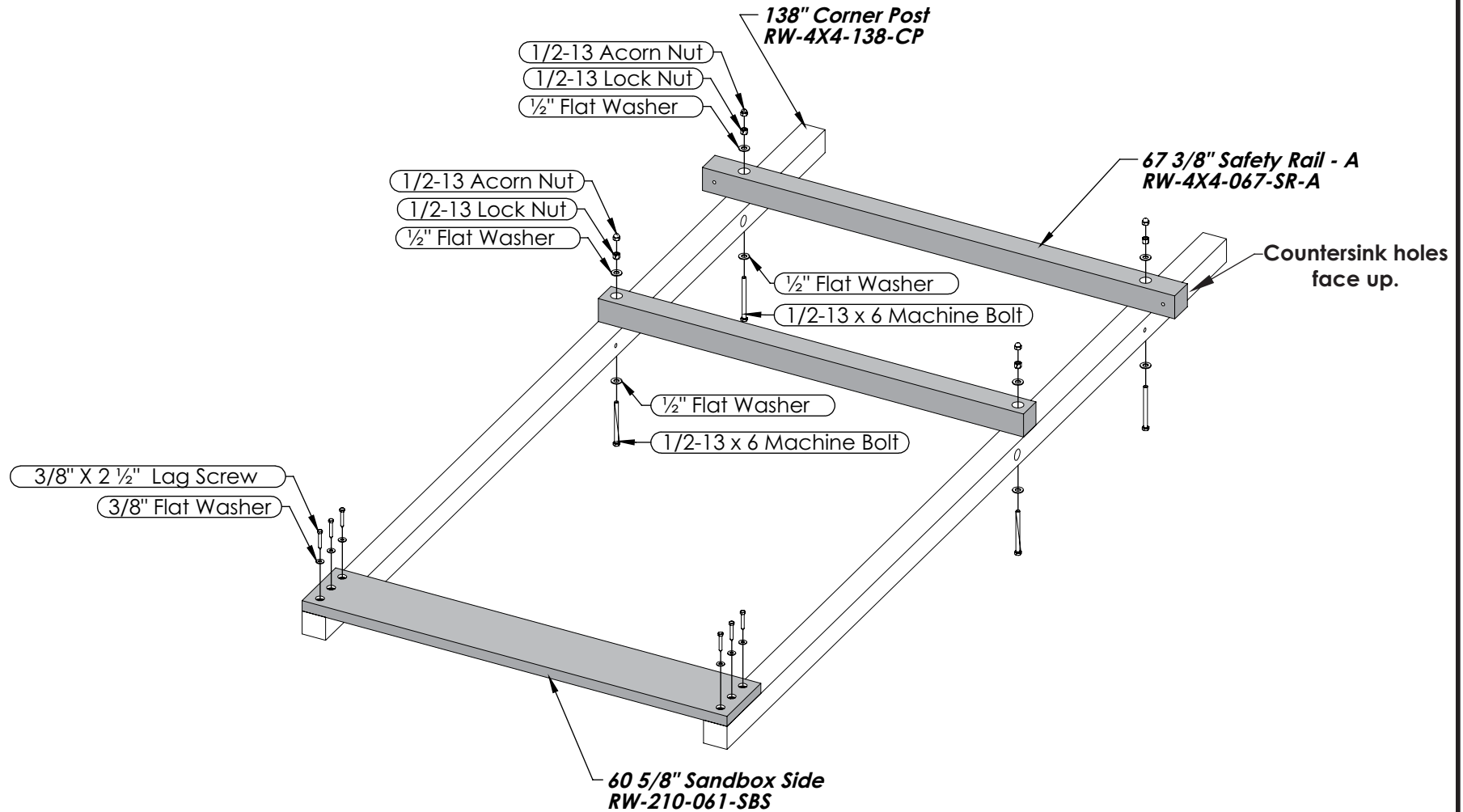
- Center Vinyl Roof over the middle Horizontal Roof Support with the snaps facing down.
- Wrap one end of the Vinyl Roof around to the bottom of the Horizontal Roof Support and center it on the Support.
- Tap the snaps gently with a hammer to leave an indentation in the Horizontal Roof Support as shown.
- Install a Roof Snap and Screw in the center of each of the indentations.

**NOTE:** Roof Snap and Screws are rolled up in the Vinyl Roof.

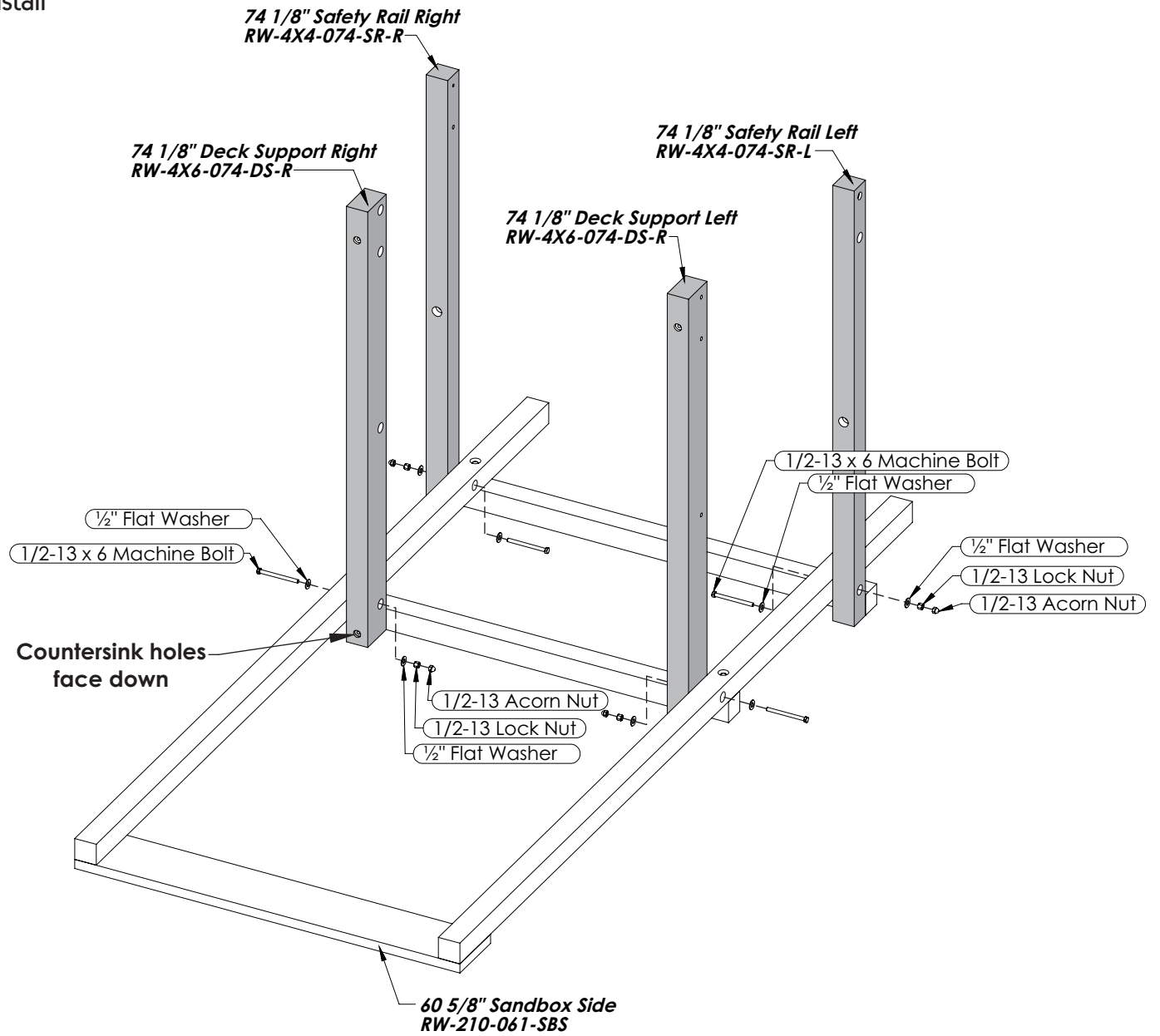
- Snap this end of the Vinyl Roof to the inside of the Horizontal Roof Support.
- Stretch the opposite end of the Vinyl Roof over the Horizontal Roof Support to the opposite Horizontal Roof Support and repeat Steps.



19. While flat on the ground lay Corner Posts parallel on the ground and attach Safety Rail, Deck Frame and Sandbox Side as shown.

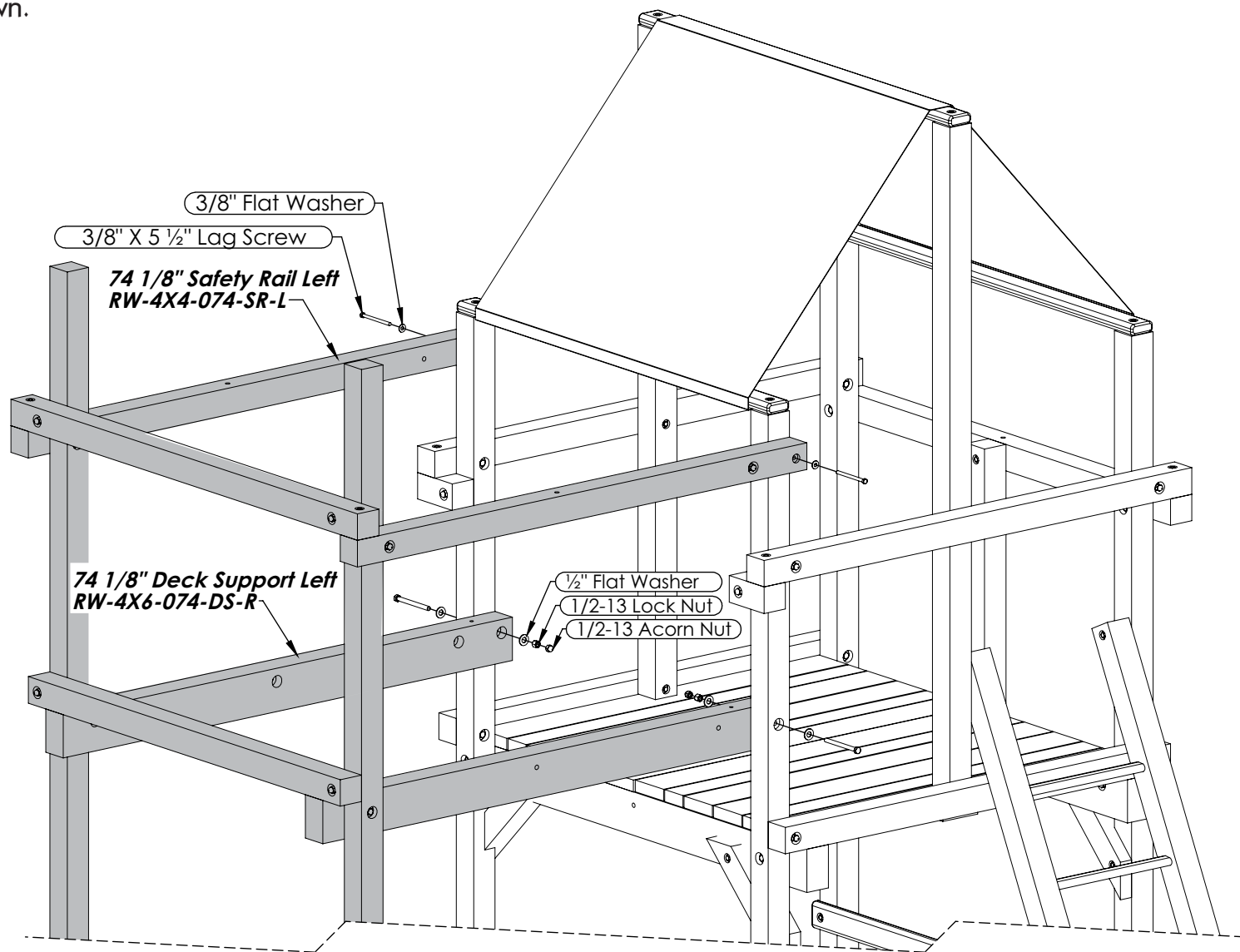


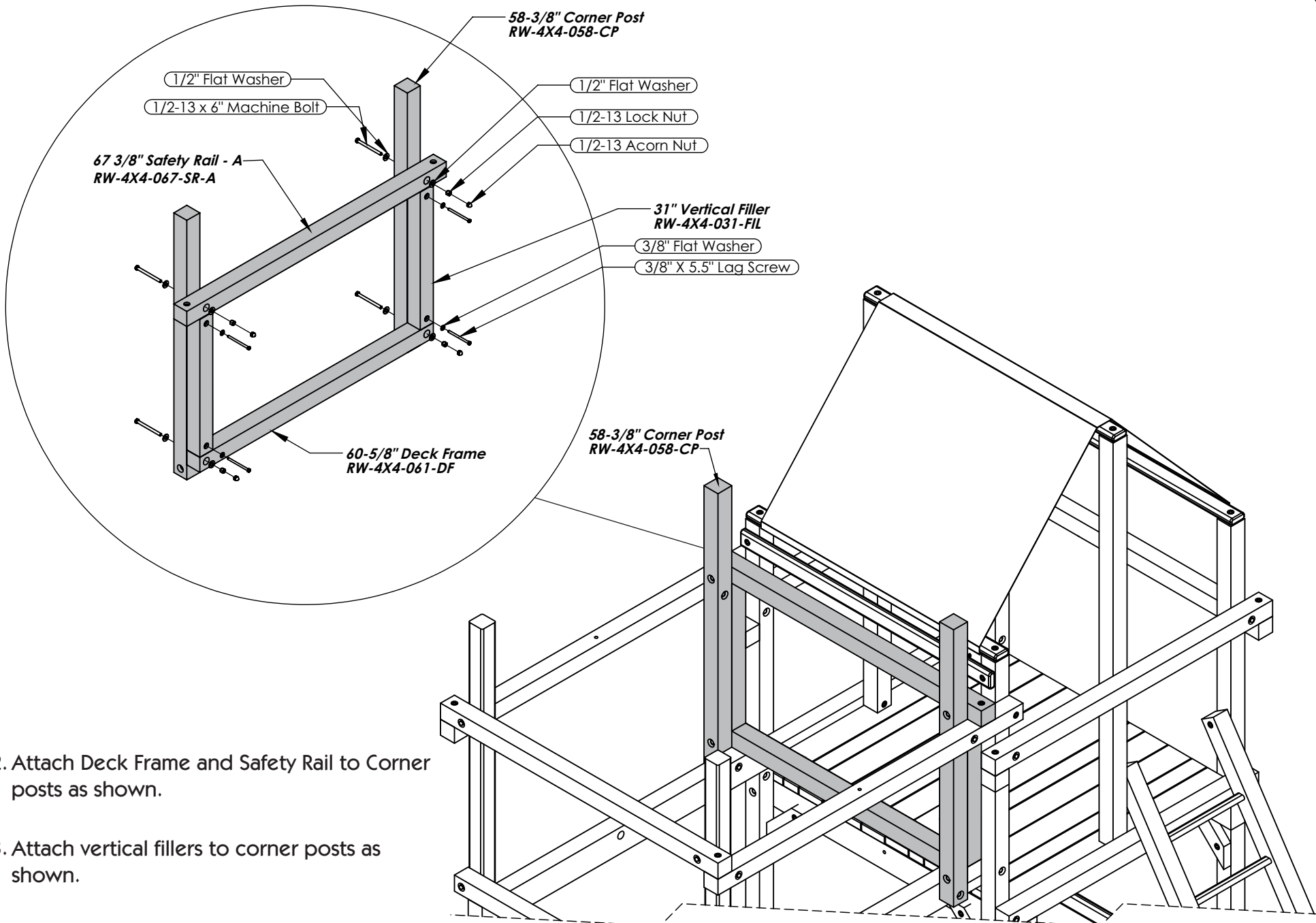
20. Assemble Safety Rails and Deck Supports to Corner Posts as shown. Do not install Lag Screws until indicated.





21. With a helper, place high deck Assembly from previous Step on the main deck assembly. Level front to back and side to side and attach it to main deck as shown.





22. Attach Deck Frame and Safety Rail to Corner posts as shown.

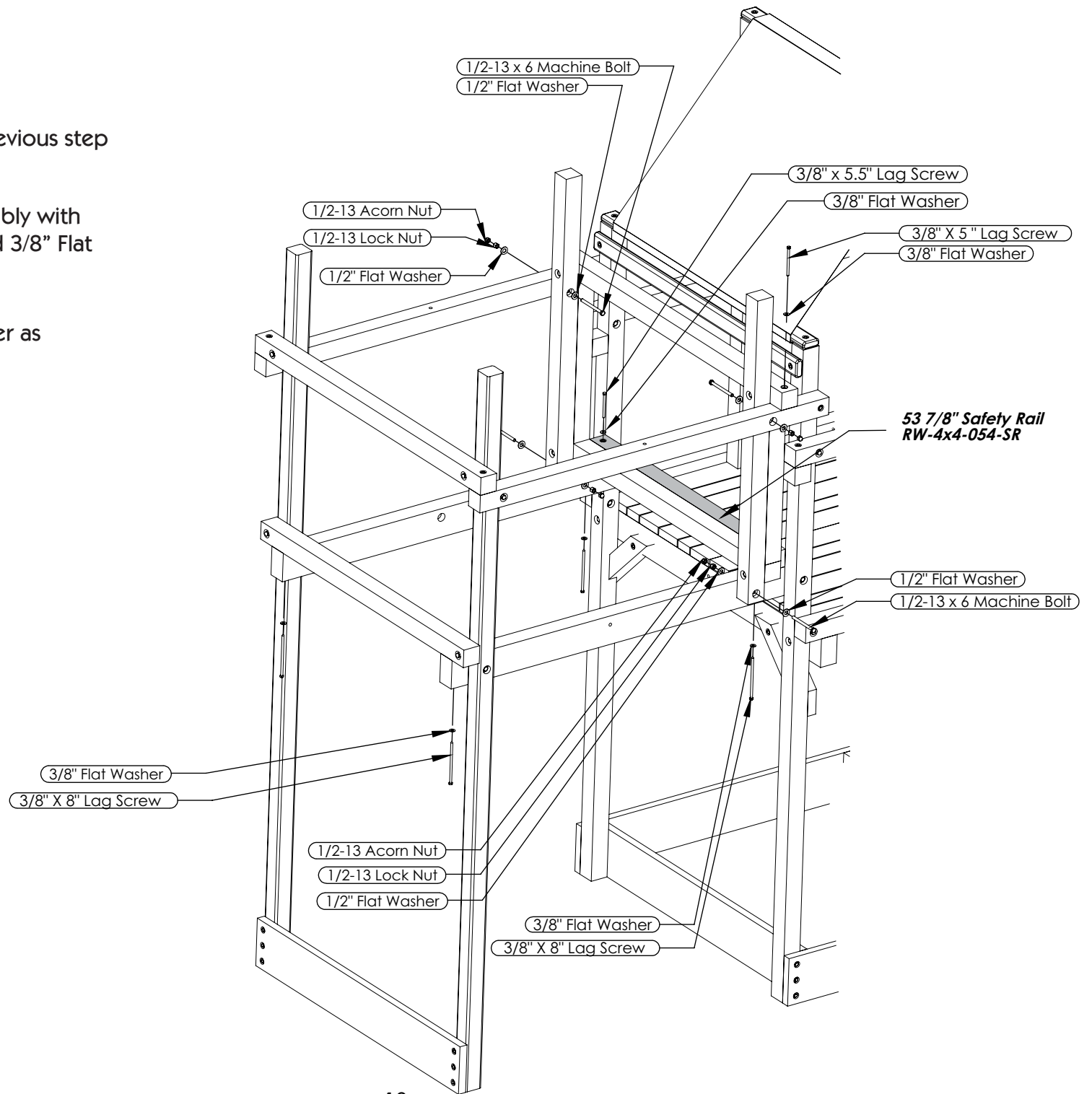
23. Attach vertical fillers to corner posts as shown.

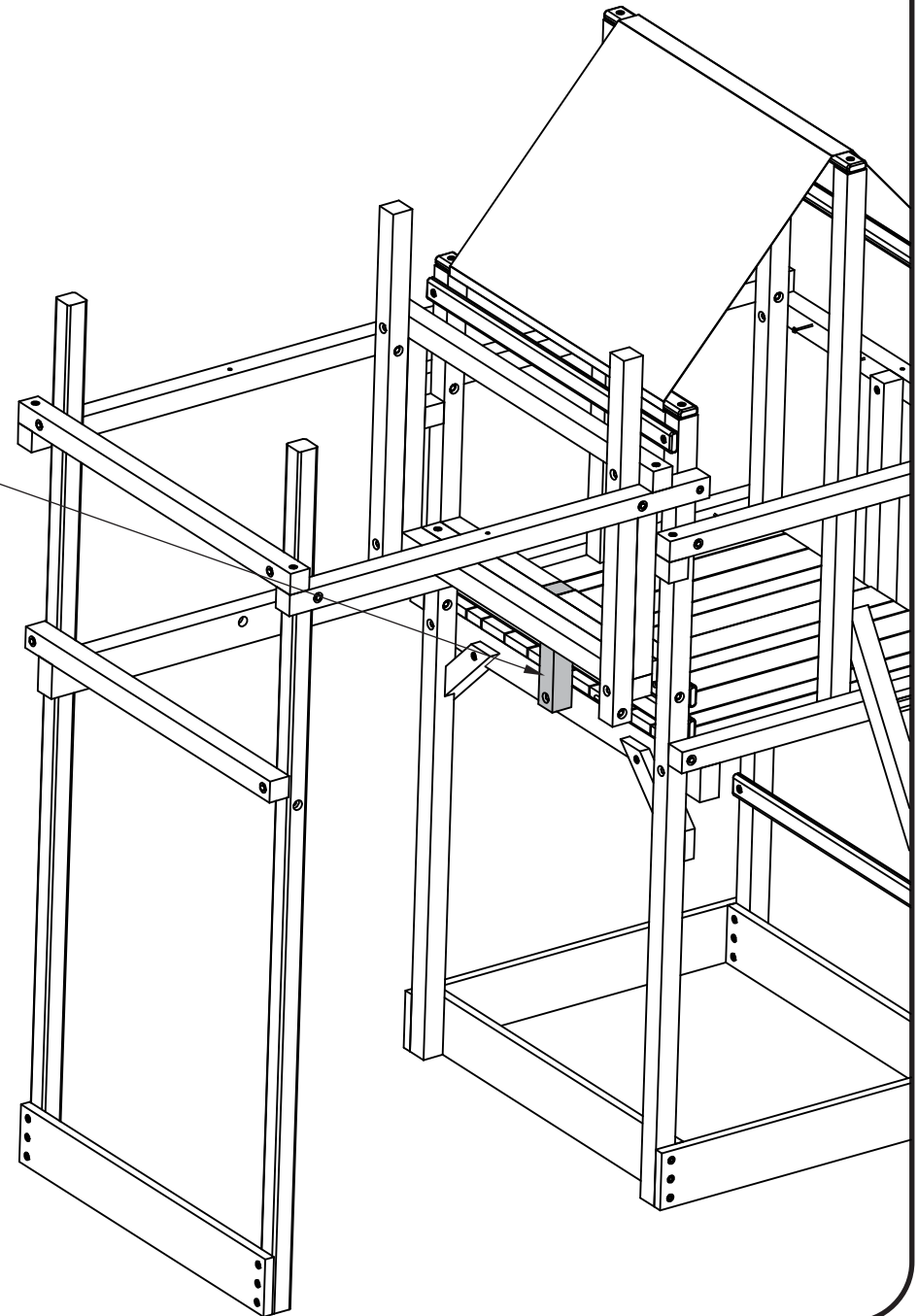
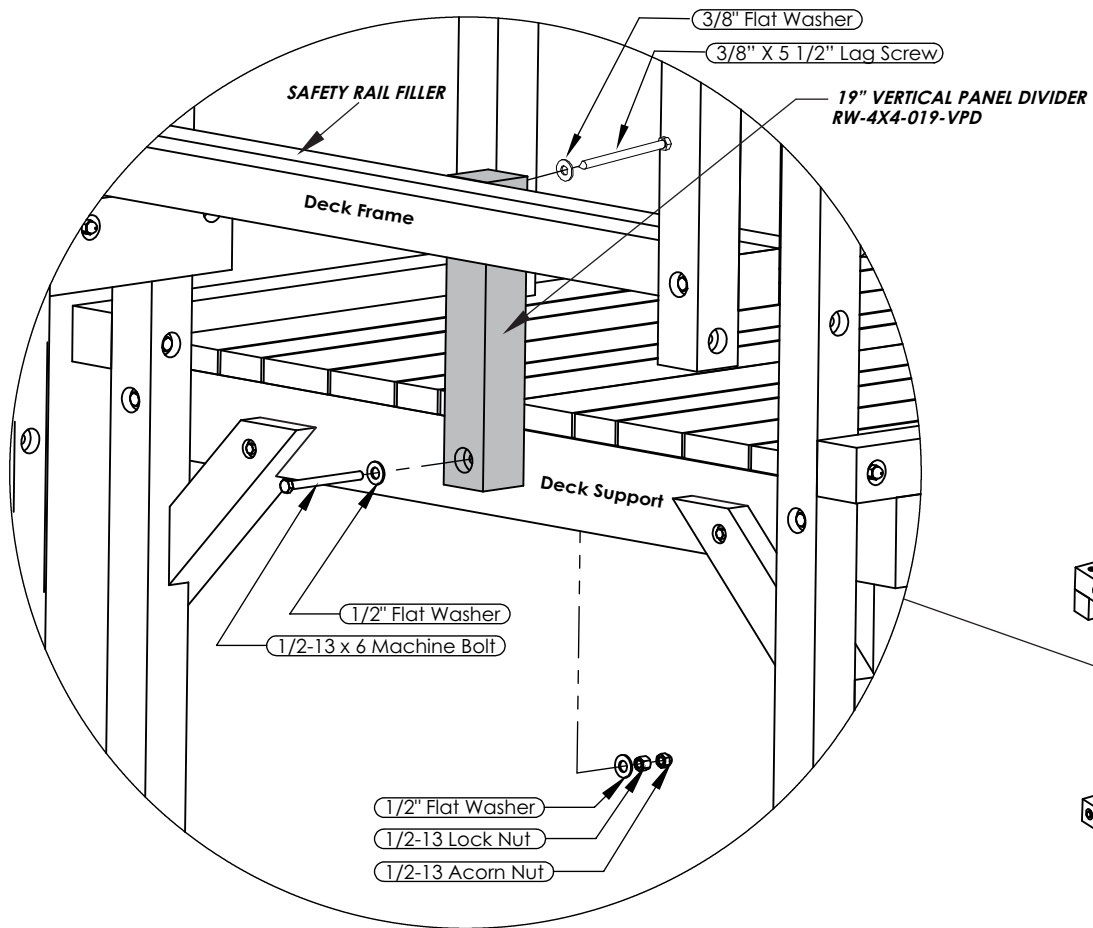
24. Place assembly on playset as shown and proceed to the next step.

25. Fasten assembly from previous step to High Deck as shown.

26. Secure High Deck Assembly with 3/8" X 8" Lag Screws and 3/8" Flat Washers as shown.

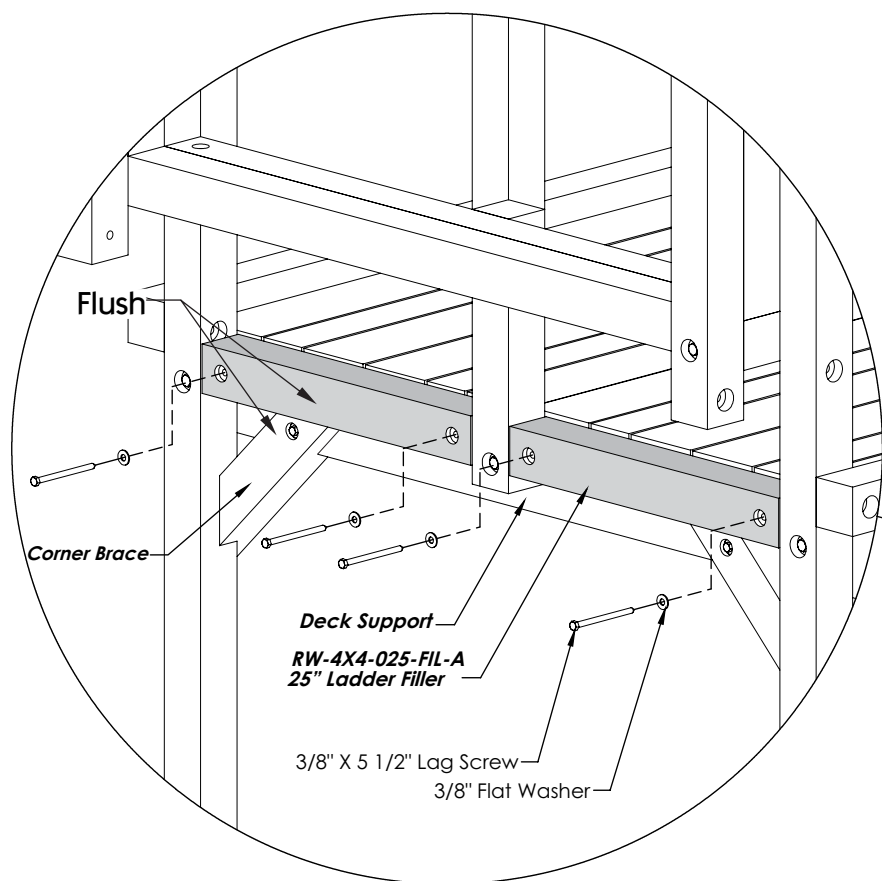
27. Install Safety Rail as a Filler as shown.



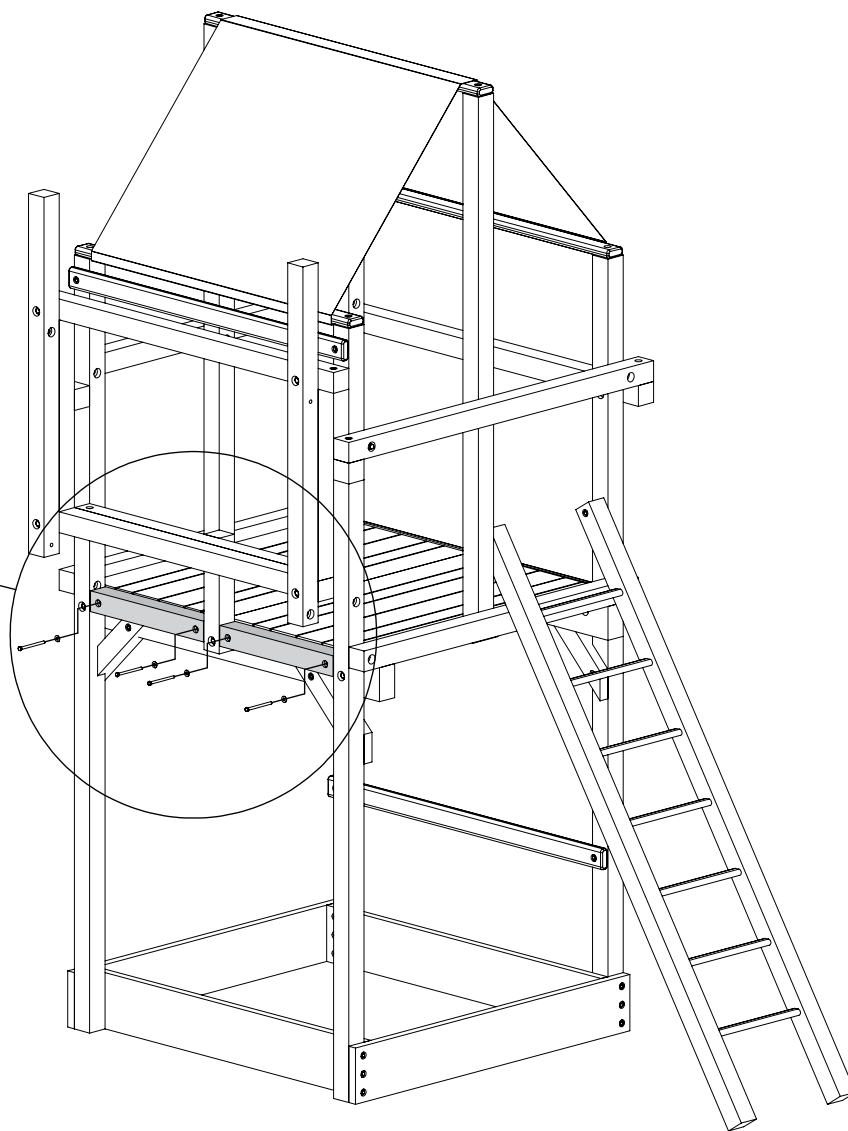


28. Level and attach Vertical Panel Divider to Deck Support and Safety Rail Filler as shown.

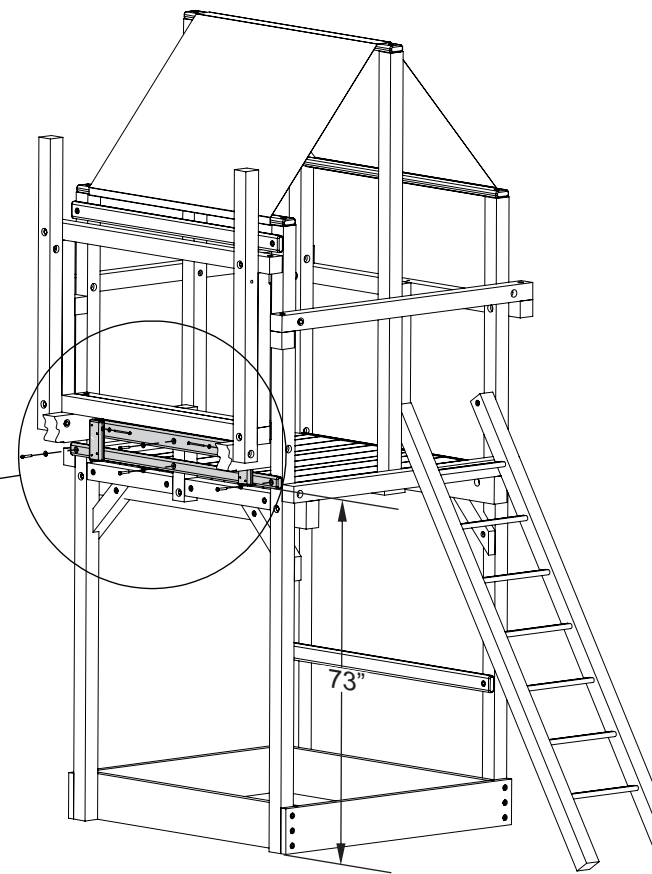
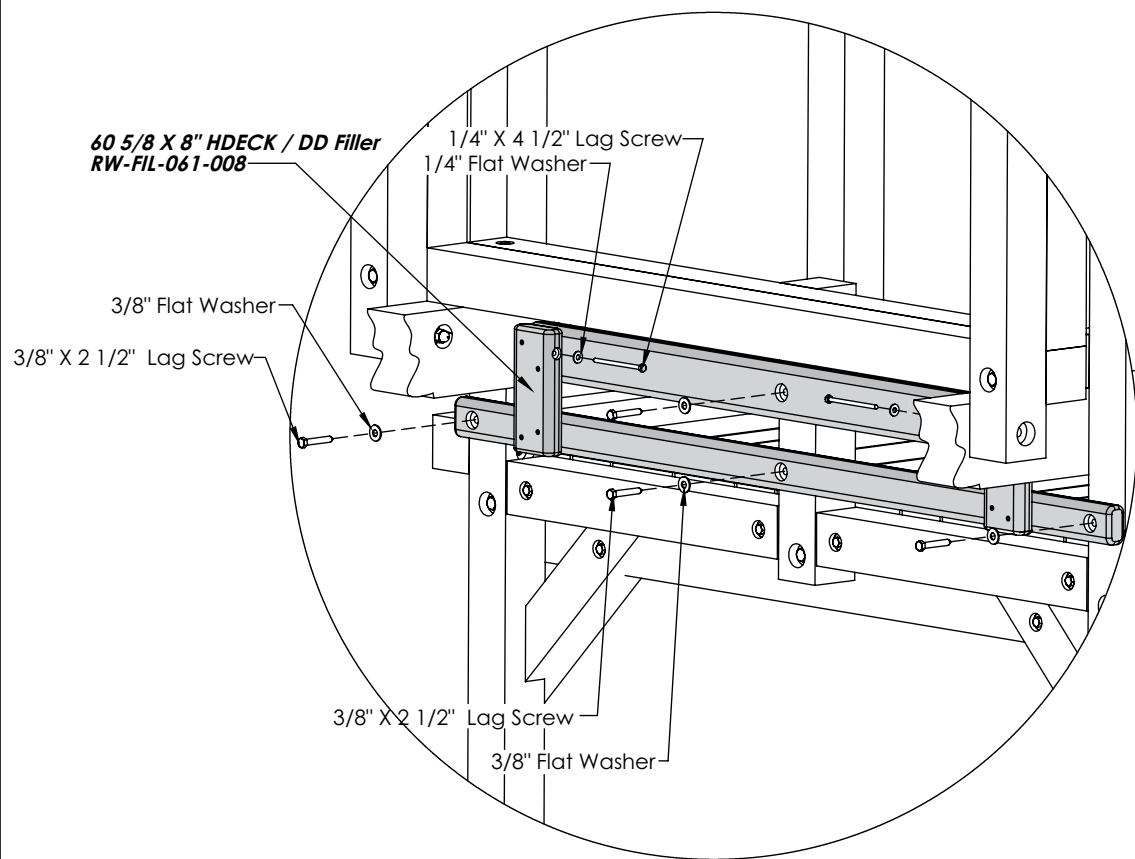
29. Attach Ladder Fillers to Deck  
Support, Fillers must be Flush with  
Corner Braces.



High Deck not shown for Clarity.

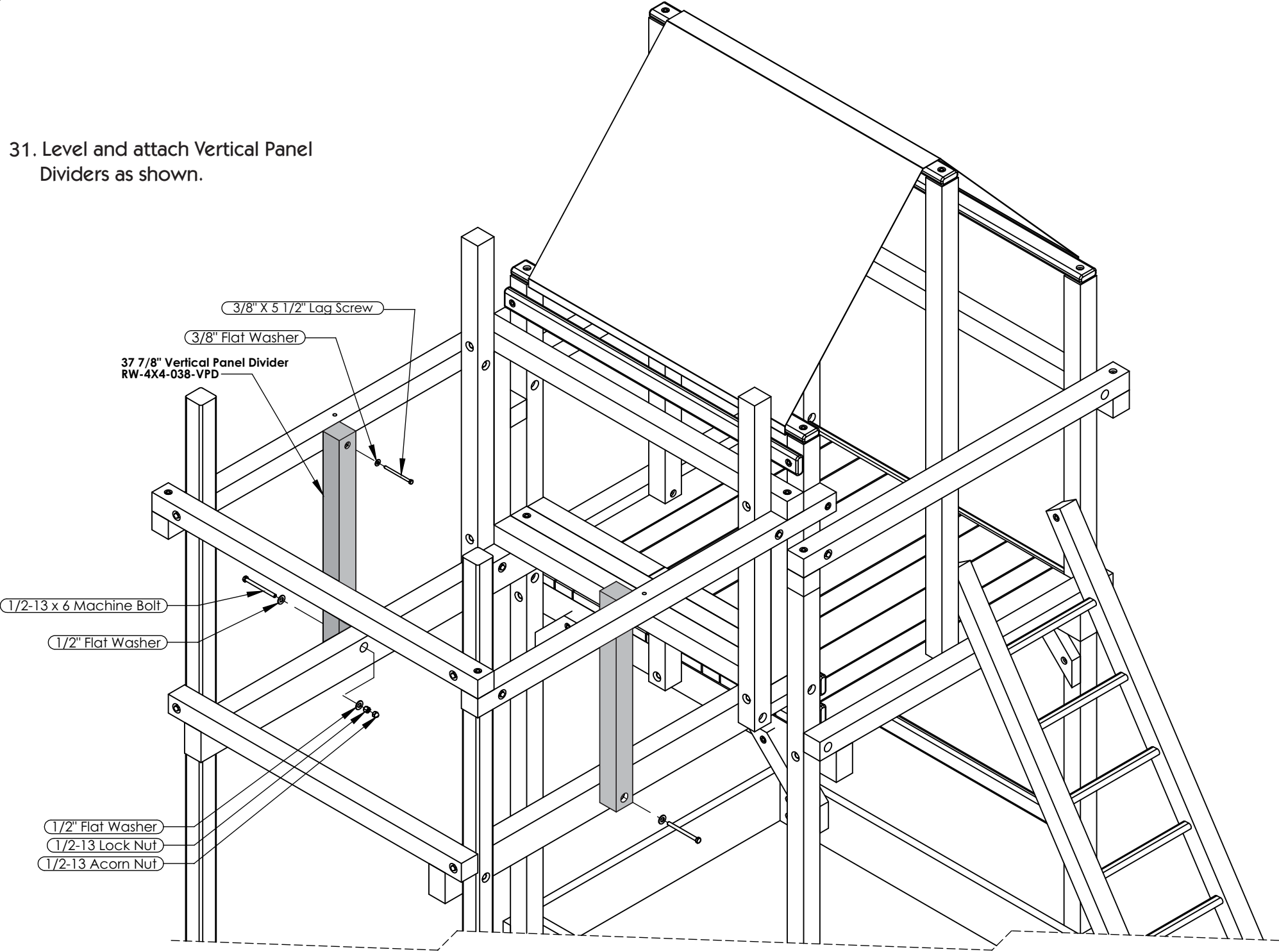


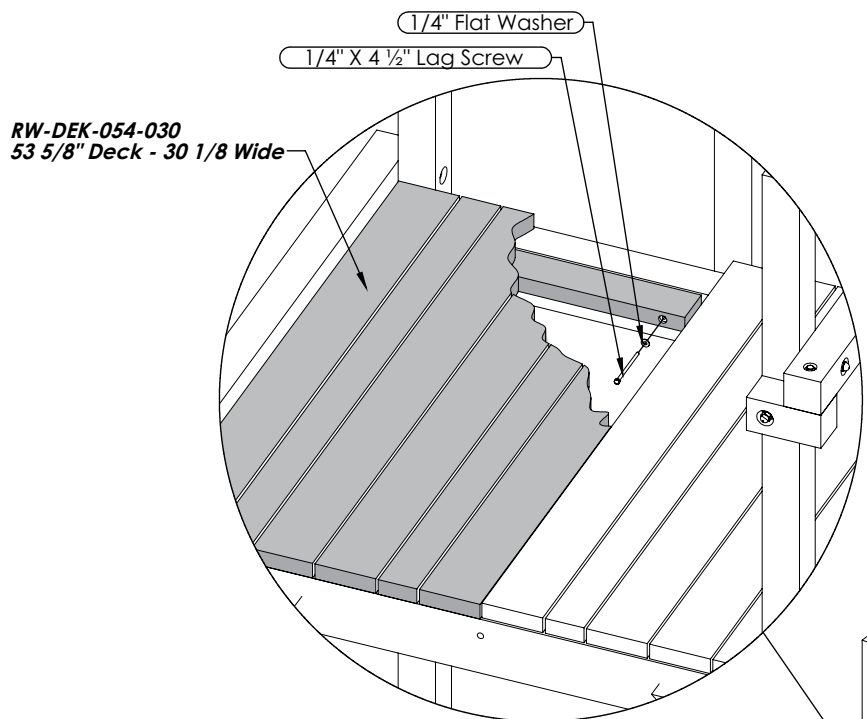
30. Attach Filler Assembly 73" From the bottom as shown.



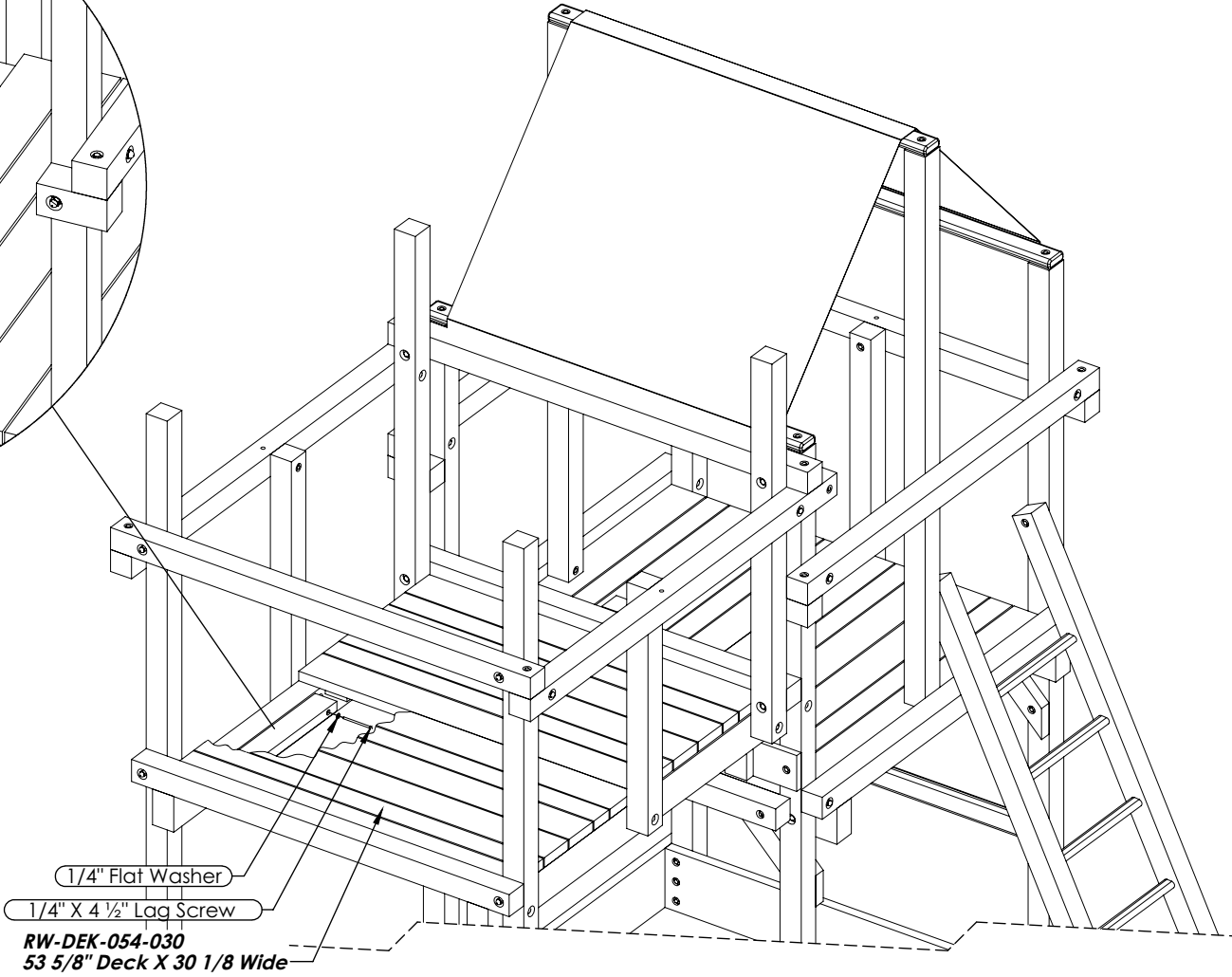
High Deck not shown for Clarity.

31. Level and attach Vertical Panel Dividers as shown.



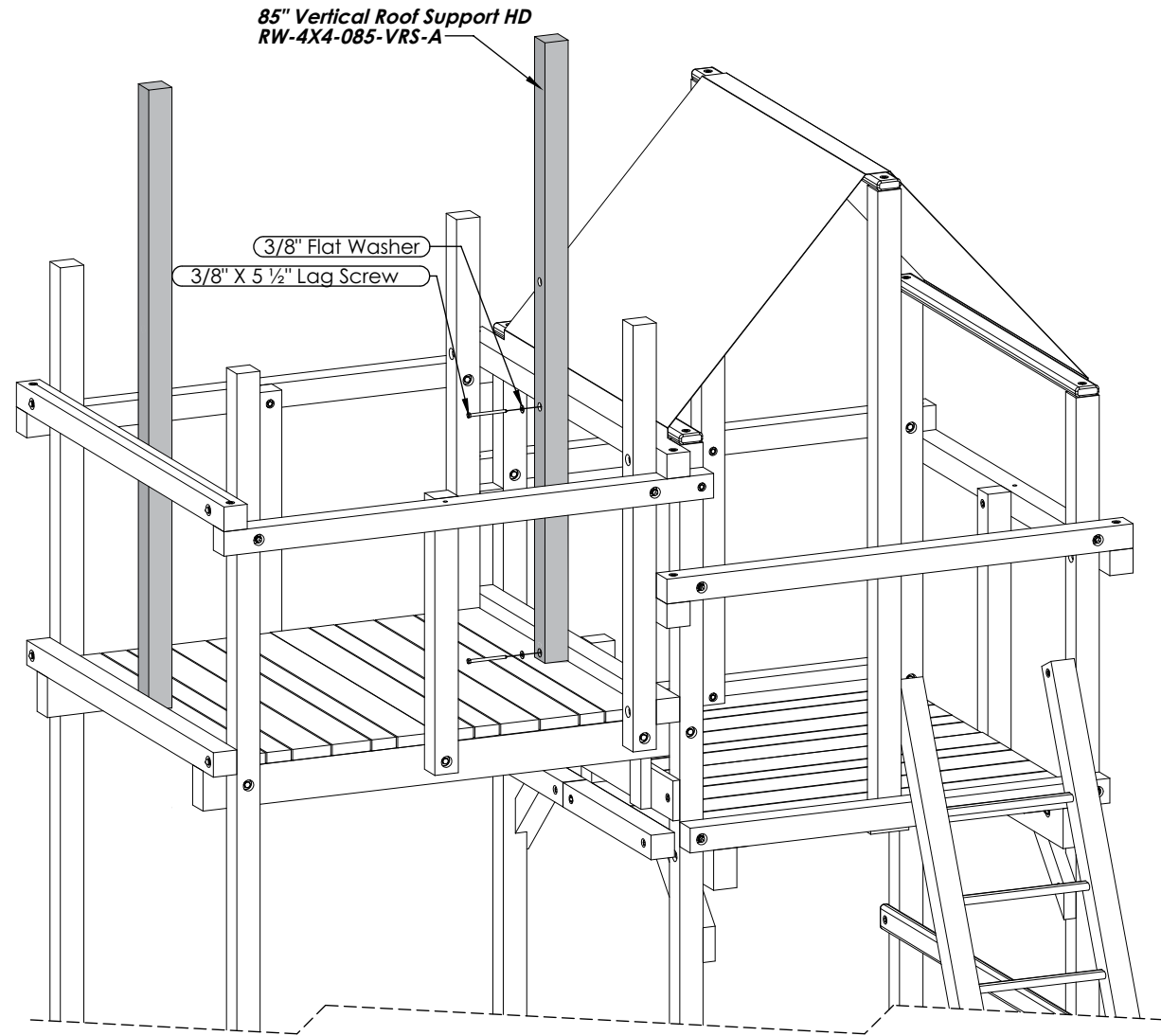


32. Install Deck Panels with Lag Screws and Flat Washers as shown.

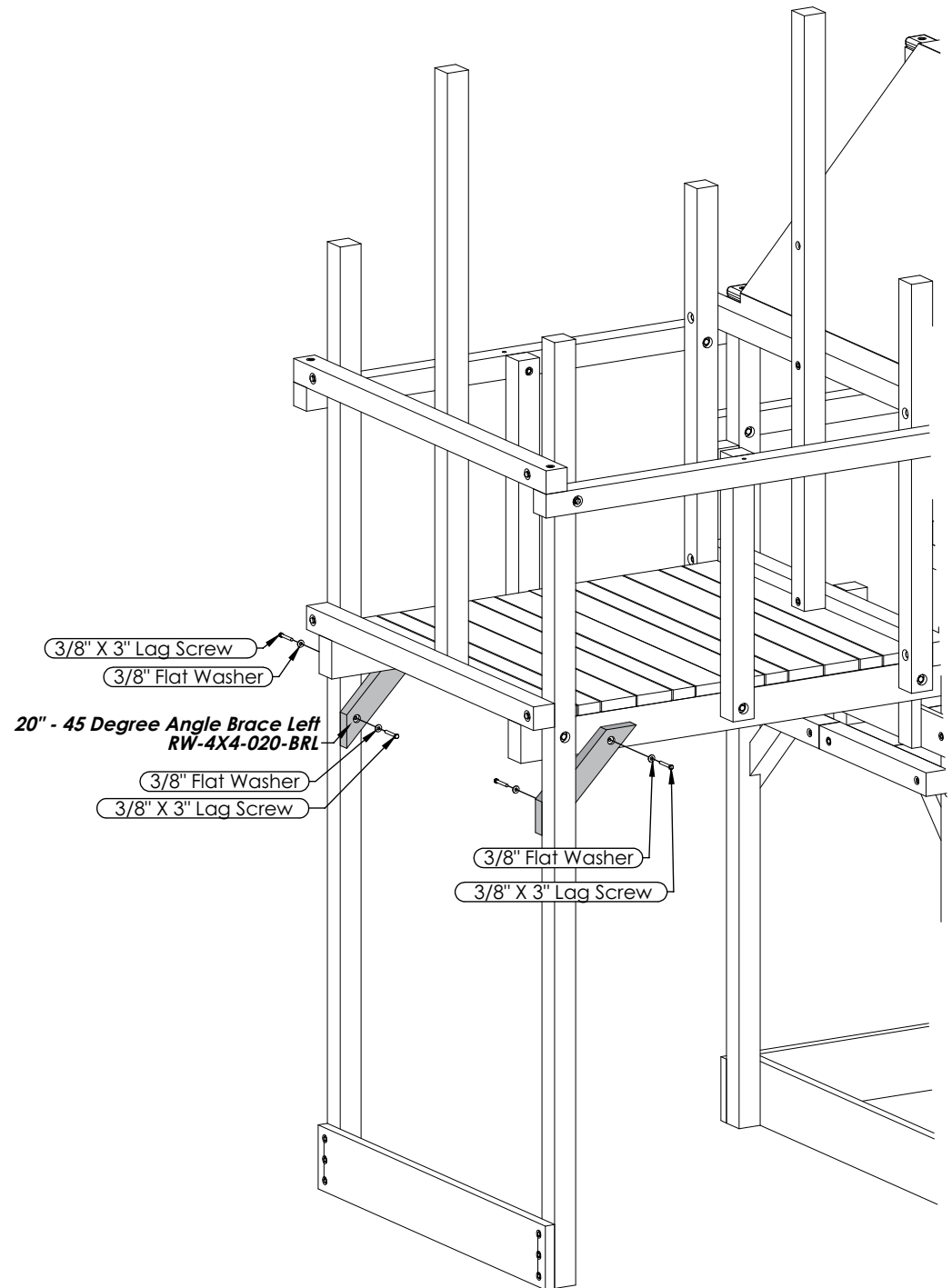




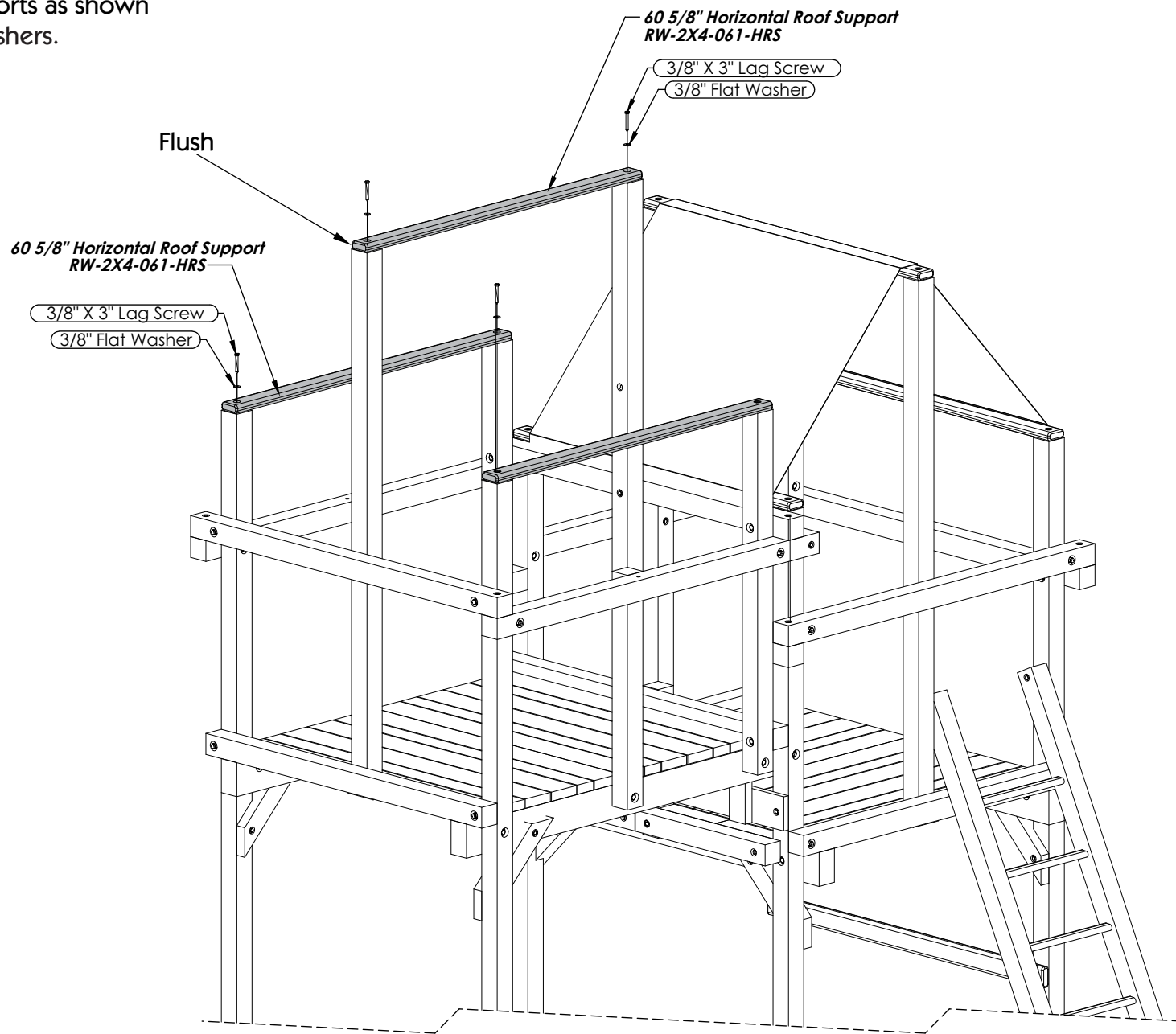
33. Level and attach vertical roof supports as shown.



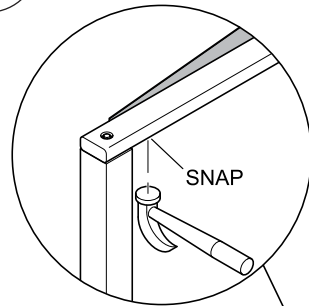
34. Install Left and Right 45 Degree Angle Braces.



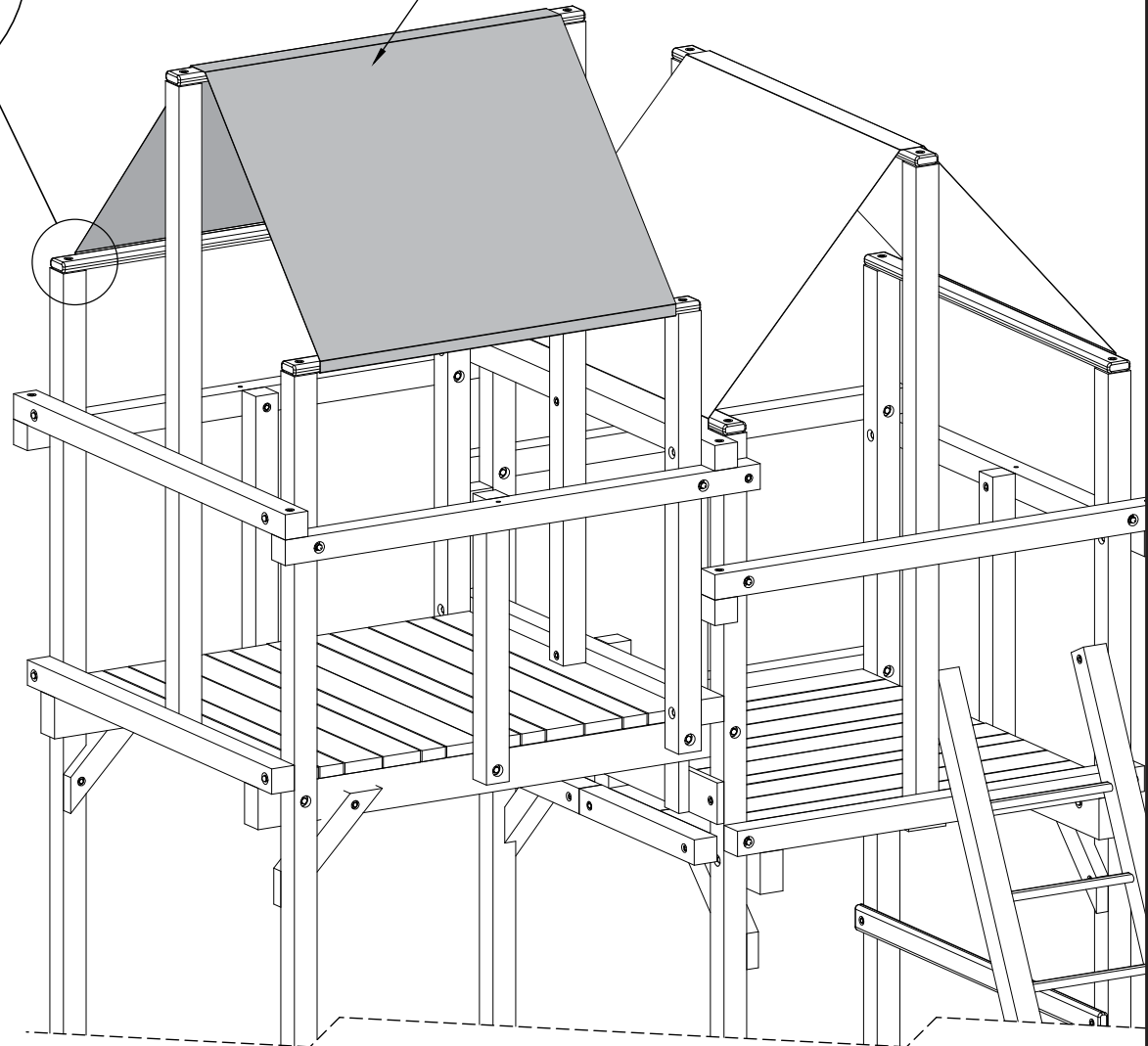
35. Attach Horizontal Roof Supports as shown using Lag Screws and Flat Washers.



IF INSTALLING WOOD ROOF. **STOP HERE**  
AND GO TO WOOD ROOF INSTRUCTIONS.



96 1/2" Vinyl Roof  
VL-RFG-097-054

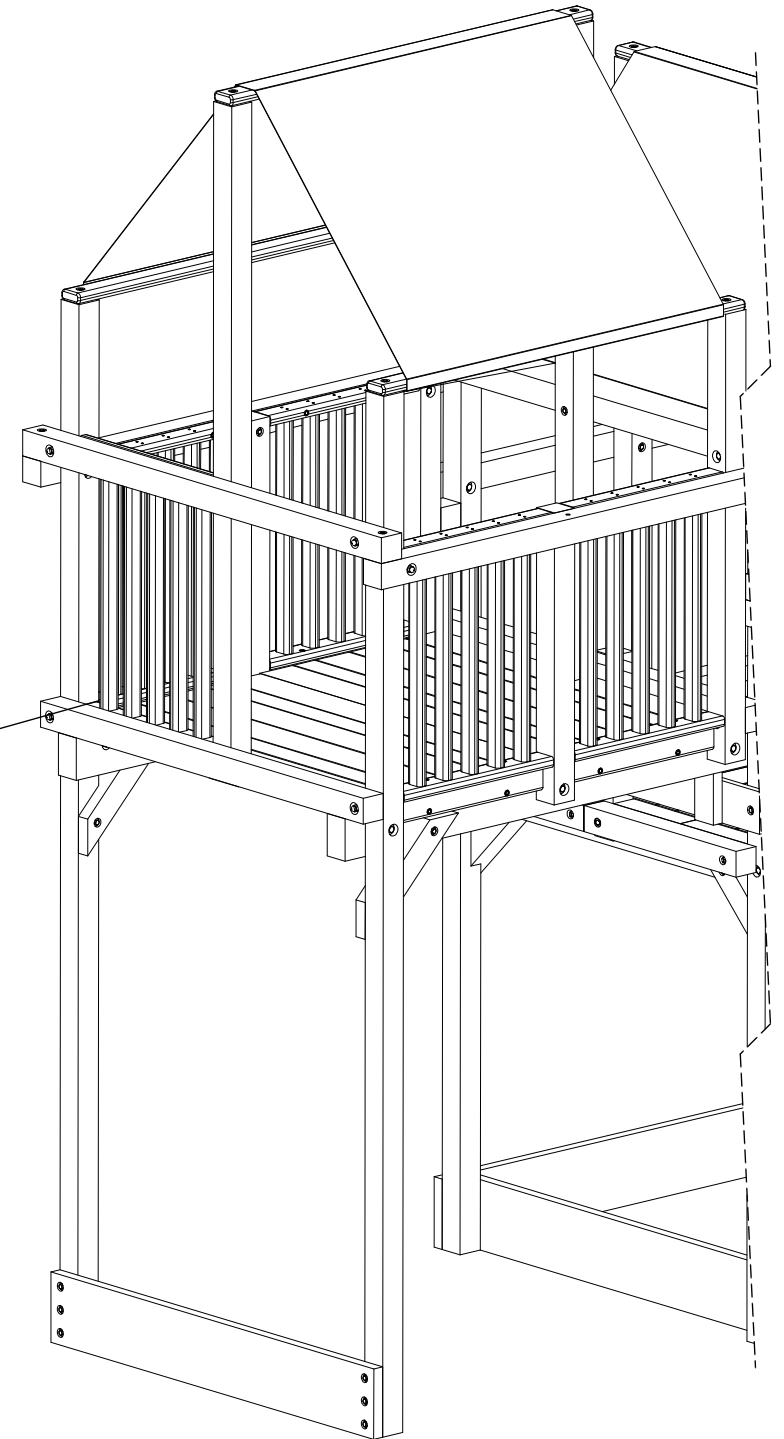
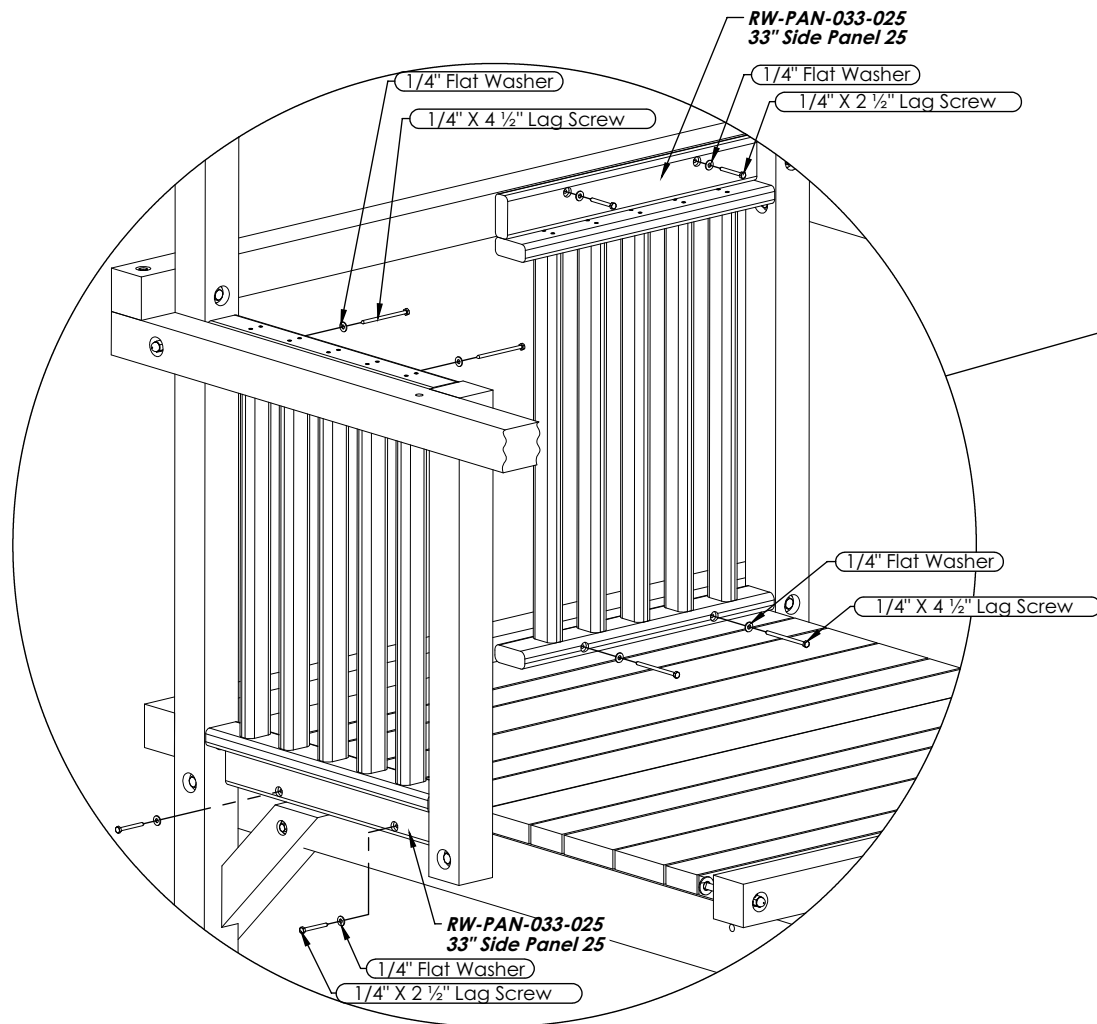


36. Center Vinyl Roof over the middle Horizontal Roof Support with the snaps facing down.
37. Wrap one end of the Vinyl Roof around to the bottom of the Horizontal Roof Support and center it on the Support.
38. Tap the snaps gently with a hammer to leave an indentation in the Horizontal Roof Support as shown.
39. Install a Roof Snap and Screw in the center of each of the indentations.

**NOTE:** Roof Snap and Screws are rolled up in the Vinyl Roof.

40. Snap this end of the Vinyl Roof to the inside of the Horizontal Roof Support.
41. Stretch the opposite end of the Vinyl Roof over the Horizontal Roof Support to the opposite Horizontal Roof Support and repeat Steps.

42. Install Panels as needed to fill unused openings.



# Consumer Information Sheet for Playground Surfacing Materials<sup>1</sup>

The U.S. Consumer Product Safety Commission (CPSC) estimates that about 100,000 playground equipment-related injuries resulting from falls to the ground surface are treated annually in the U.S. hospital emergency rooms. Injuries involving this hazard pattern tend to be among the most serious of all playground injuries, and have the potential to be fatal, particularly when the injury is to the head.

The surface under and around playground equipment can be a major factor in determining the injury-causing potential of a fall. It is self evident that a fall onto a shock absorbing surface is less likely to cause a serious injury than a fall onto a hard surface. Playground equipment should never be placed on hard surfaces such as concrete or asphalt and while grass may appear to be acceptable it may quickly turn to hard packed earth in areas of high traffic. Shredded bark mulch, wood chips, fine sand or fine gravel are considered to be acceptable shock absorbing surfaces when installed and maintained at a sufficient depth under and around playground equipment.

The following table lists the maximum height from which a child would not be expected to sustain a life-threatening head injury in a fall onto four different loose-fill surfacing materials if they are installed and

maintained at depths of 6", 9", and 12". However, it should be recognized that all injuries due to falls cannot be prevented no matter what surfacing material is used.

It is recommended that a shock absorbing material should extend a minimum of 6' in all directions from the perimeter of stationary equipment such as climbers and slides. However, because children may deliberately jump from a moving swing, the shock absorbing material should extend in the front and rear of a swing a minimum distance of 2 times the height of the pivot point measured from a point directly beneath the pivot point supporting structure.

This information is intended to assist in comparing the relative shock-absorbing properties of various materials. No particular material is recommended over another. However, each material is only effective when properly maintained. Materials should be checked periodically and replenished to maintain correct depth as determined necessary for your equipment. The choice of a material depends on the type and height of the playground equipment, the availability of the material in your area, and its cost.

## FALL HEIGHT IN FEET FROM WHICH A LIFE THREATENING HEAD INJURY WOULD NOT BE EXPECTED

TYPE OF MATERIAL	6" DEPTH	9" DEPTH	12" DEPTH
<b>Double Shredded Bark Mulch</b>	<b>6'</b>	<b>10'</b>	<b>11'</b>
<b>Wood Chips</b>	<b>6'</b>	<b>7'</b>	<b>12'</b>
<b>Fine Sand</b>	<b>5'</b>	<b>5'</b>	<b>9'</b>
<b>Fine Gravel</b>	<b>6'</b>	<b>7'</b>	<b>10'</b>

<sup>1</sup>This information has been extracted from the CPSC publications "Playground Surfacing—Technical Information Guide" and "Handbook for Public Playground Safety." Copies of these reports can be obtained by sending a postcard to the Office of Public Affairs, U.S. Consumer Product Safety Commission, Washington, D.C. 20207. Or call the toll-free hotline: 1-800-638-2772.



## No Kidding Guarantee

**5-Year Warranty** on all Woodplay components and accessories that are not covered under the Limited Lifetime Warranty. Woodplay will repair or replace, at our option, any Woodplay above-ground playset component which fails within five years after the date of delivery as a result of a defect in materials or workmanship. All other qualifications also apply listed under the Limited Lifetime Warranty below.

**Limited Lifetime Warranty** on all Woodplay wooden playset components, swing hangers, swing chains, metal braces, metal rungs, hardware, and our exclusive Super Slide and Alpine Slide. Woodplay warrants to the original retail customer that we will replace any Woodplay wooden playset component suffering structural failure due to warping, rotting, or insect damage. This warranty does not cover knots in the wood, surface cracking or seasonal checking of components. Knots, surface cracking and seasonal checks are a natural characteristic of all wood, including redwood, and will not affect the integrity of your playset. Woodplay warrants to the original retail customer that we will replace any swing hangers, swing chains, metal braces, metal rungs or hardware that fail due to rust or breakage (excludes surface rust). This limited lifetime warranty also applies to our exclusive Super Slide and Alpine Slide. This warranty is expressly in lieu of all other warranties, expressed or implied, including warranties of merchantability or fitness for use. Woodplay does not assume, or authorize any person or representative to assume for us, any other liability in connection with the sale of our products. These warranties exclude any incidental or consequential damages which may arise from the purchase or use of our equipment. Some states do not allow the exclusion or limitation of consequential damage, so the above limitation or exclusion may not apply to you. This warranty program applies only to the original owner and is limited to residential and noncommercial use of the products. Customer must register the playset purchase at [www.woodplay.com](http://www.woodplay.com) to be eligible for warranty. A copy of the original invoice must accompany all warranty claims. Freight and labor charges are not included. This warranty program does not cover normal wear and tear, or damages resulting from misuse, abuse, vandalism, alteration, acts of God, or assembly and maintenance contrary to our instructions. Woodplay reserves the right to examine photographs and/or the component itself-shipped freight prepaid by the customer prior to potential replacement. Questions about this warranty should be addressed to the **Customer Service Department at 817 Maxwell Ave., Evansville, IN 47711, or call 1-800-WOODPLAY.**

**Special Note:** Woodplay reserves the right to make changes in materials, design, and pricing without notice. See your instruction manual for maintenance requirements. Your child's safety is your responsibility; therefore, you should inspect this equipment regularly for wear and safety.