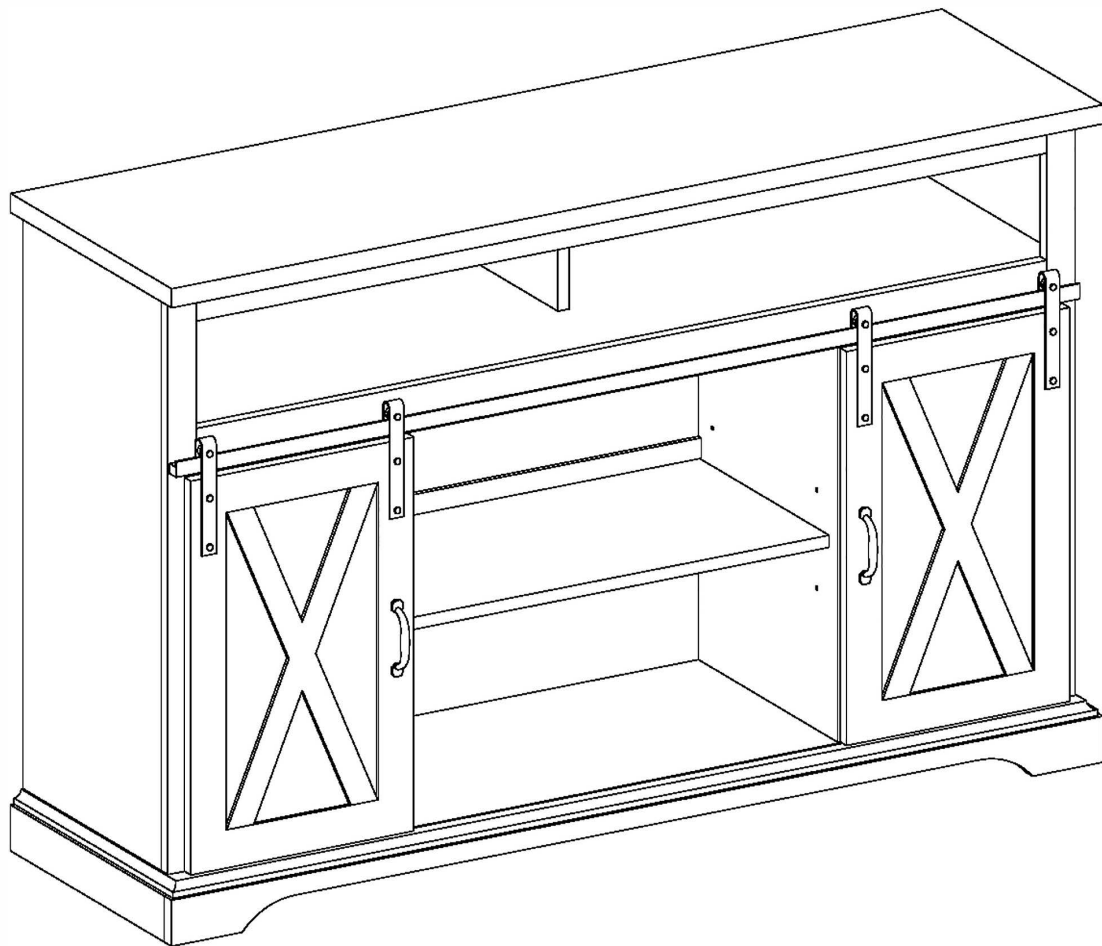


# Item # : W52HBSBD

## Assembly Instructions



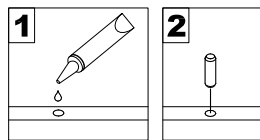
Walker Edison®

Please visit our website for the most current instructions, assembly tips, report damage, or request parts. [www.walkerediton.com](http://www.walkerediton.com)

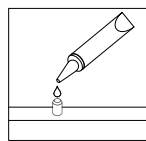
Revised 12/09/2018

# General Assembly Guidelines

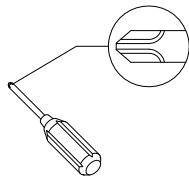
- I. Ensure that all parts and hardware are available before beginning assembly.
- II. Follow each step carefully to ensure the proper assembly of this product.
- III. Two people are recommended for ease in the assembly of this product.
- IV. The three main types of hardware used to assemble this product are : wood dowels , screws and bolts.
- V. The provided glue is to secure wood dowels in place . When first inserting dowels , locate the appropriate hole for the dowel , place a small amount of glue in the hole and insert the dowel . Wipe away excess glue immediately.



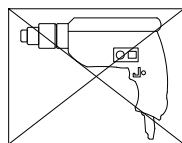
In future assembly steps when dowels are necessary to attach assembly parts together , place a small amount of glue on the end of the dowel before attaching parts together . Wipe away excess glue immediately.



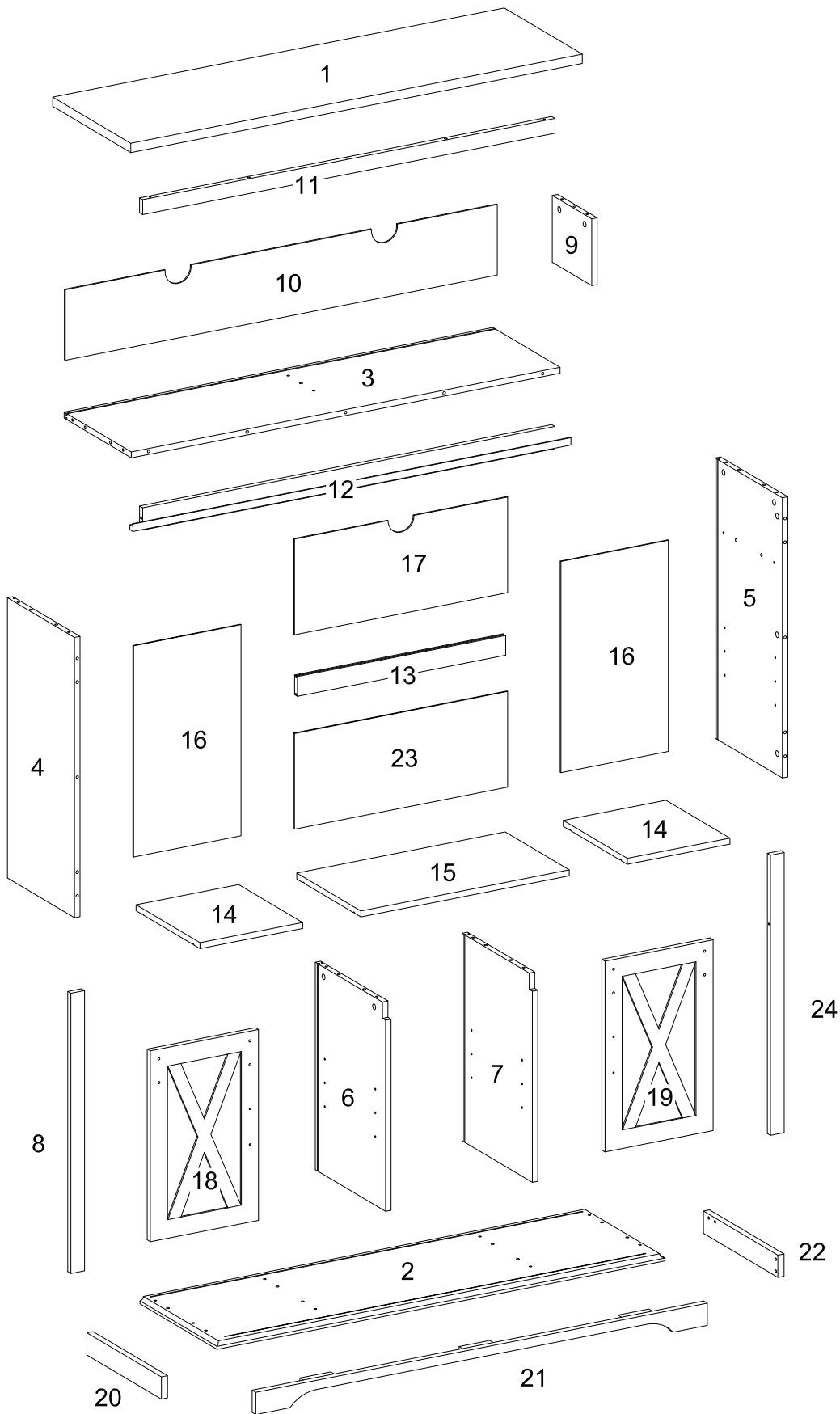
- VI. A Phillips head screwdriver is required for the assembly of this product .



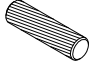
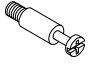


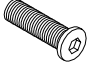

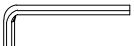
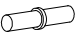
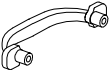

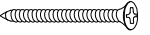


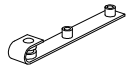
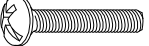
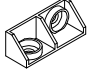
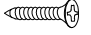
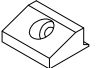




- VII. Power tools should not be used to assemble this product .

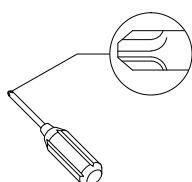


# Parts List



# Hardware List

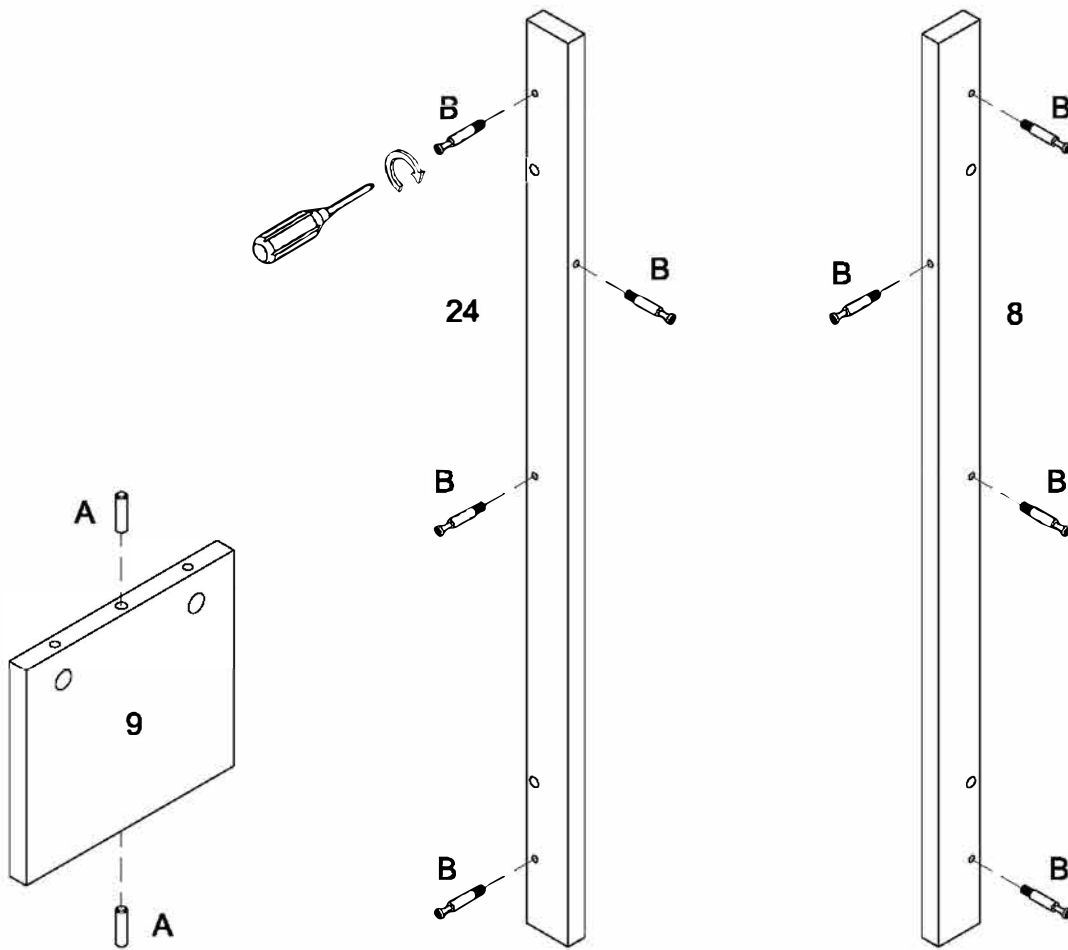
A		Ø8x30mm	Wooden dowel	30 pcs
B		Ø8x35mm	Cam bolt	25 pcs
C		Ø15x11mm	Cam lock	25 pcs
D		Ø30mm	Sticker	25 pcs
E		Ø6x12mm	Bolt	14 pcs
F		Ø6x50mm	Shoulder Screw	10 pcs
G		M 4	Hex Key	1 pcs
H		Ø8x5x16mm	Shelf support pin	12 pcs
J			Handle	2 pcs
K		M4x12mm	Bolt	4 pcs
L		Ø3x45mm	Screw	3 pcs
M		Ø4x12mm	Screw	10 pcs
N			Door Guide	4 pcs
P			Pulley	4 pcs
Q		Ø6x12mm	Bolt	8 pcs
R		56x27x27mm	Connector	7 pcs
S		Ø3x17mm	Screw	20 pcs
T			Plastic wedge	20 pcs
U		Ø4x35mm	Screw	2 pcs
V			Plastic strap	2 pcs
W			Nut	2 pcs
X			Glue tube	1 pcs



Philips head screwdriver required for assembly  
(not included)

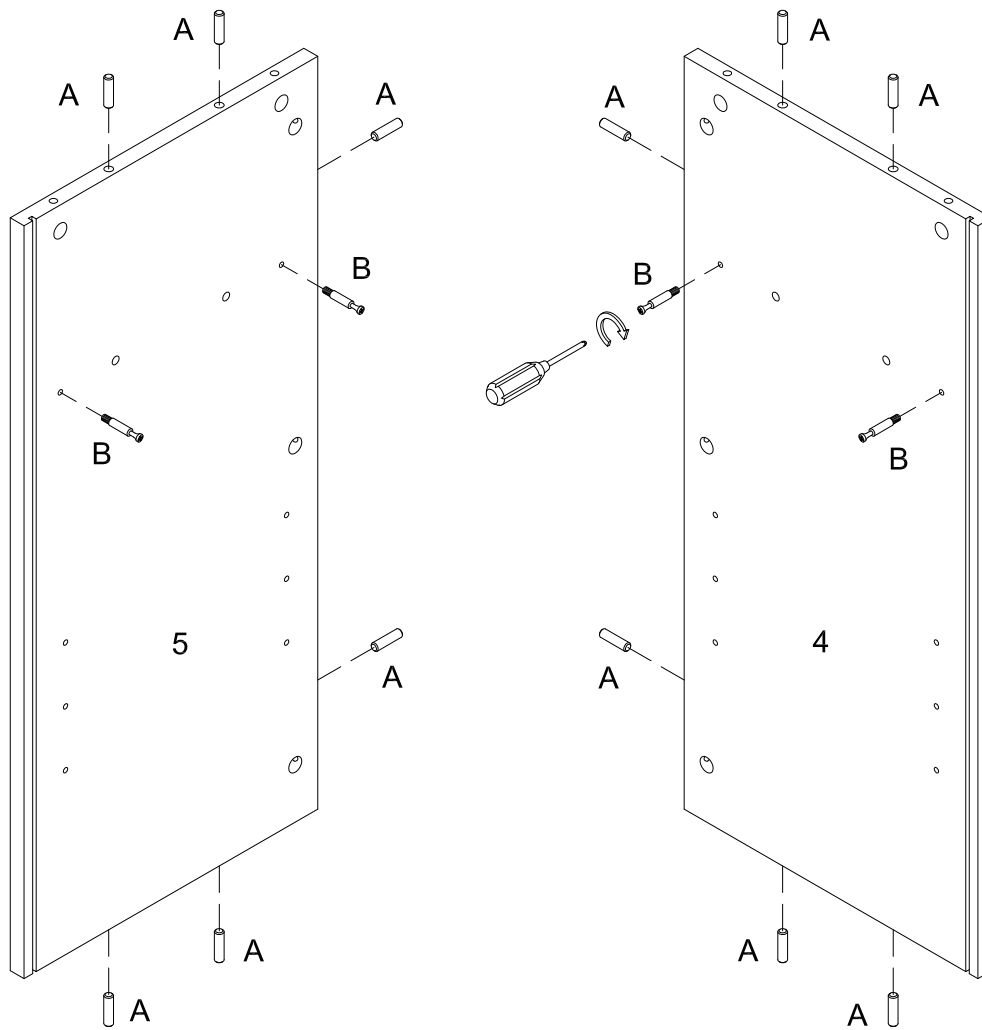
*The hardware quantities listed above are required for proper assembly.  
Some extra hardware may also have been included.*

# Step 1



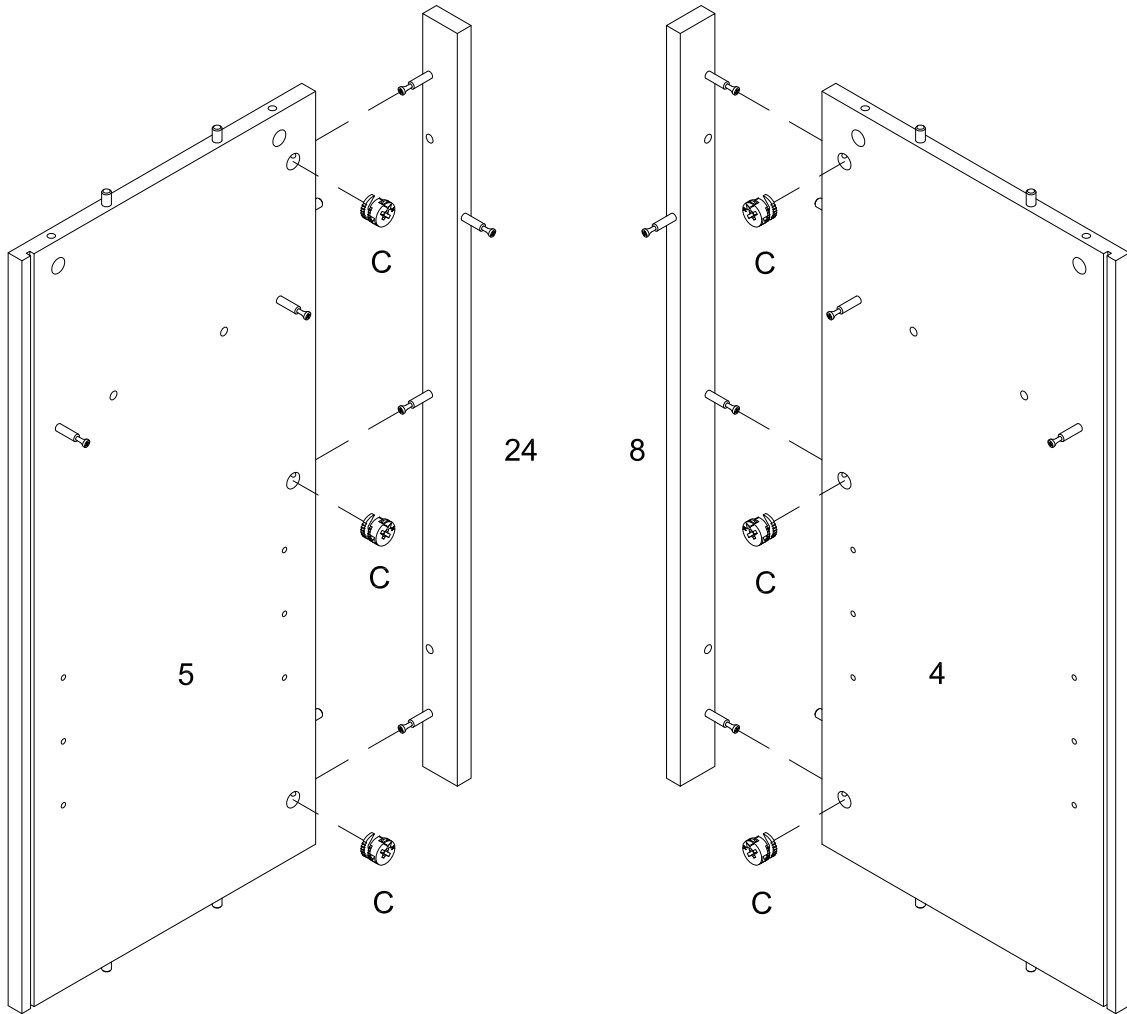
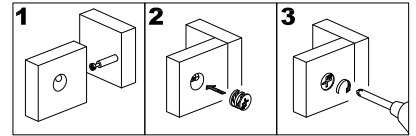
Attach cam bolt (B) to part (24,8) with screwdriver.  
Insert Dowel (A) into part (9).

## Step 2



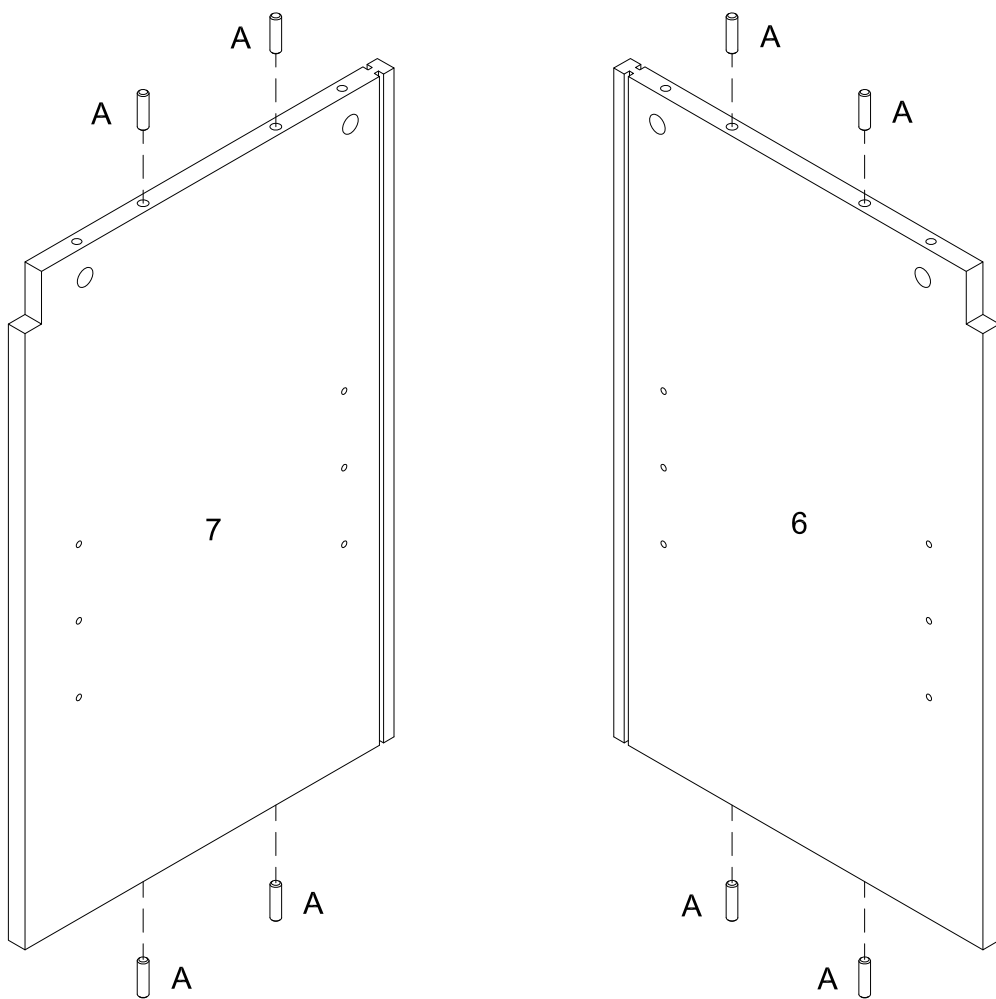
Insert wooden dowel (A) into part (4, 5). Attach cam bolt (B) to part (4,5) with screwdriver

# Step 3



Attach part (8,24) to part (4,5), then insert and secure cam lock (C) to part (4,5) to lock it.

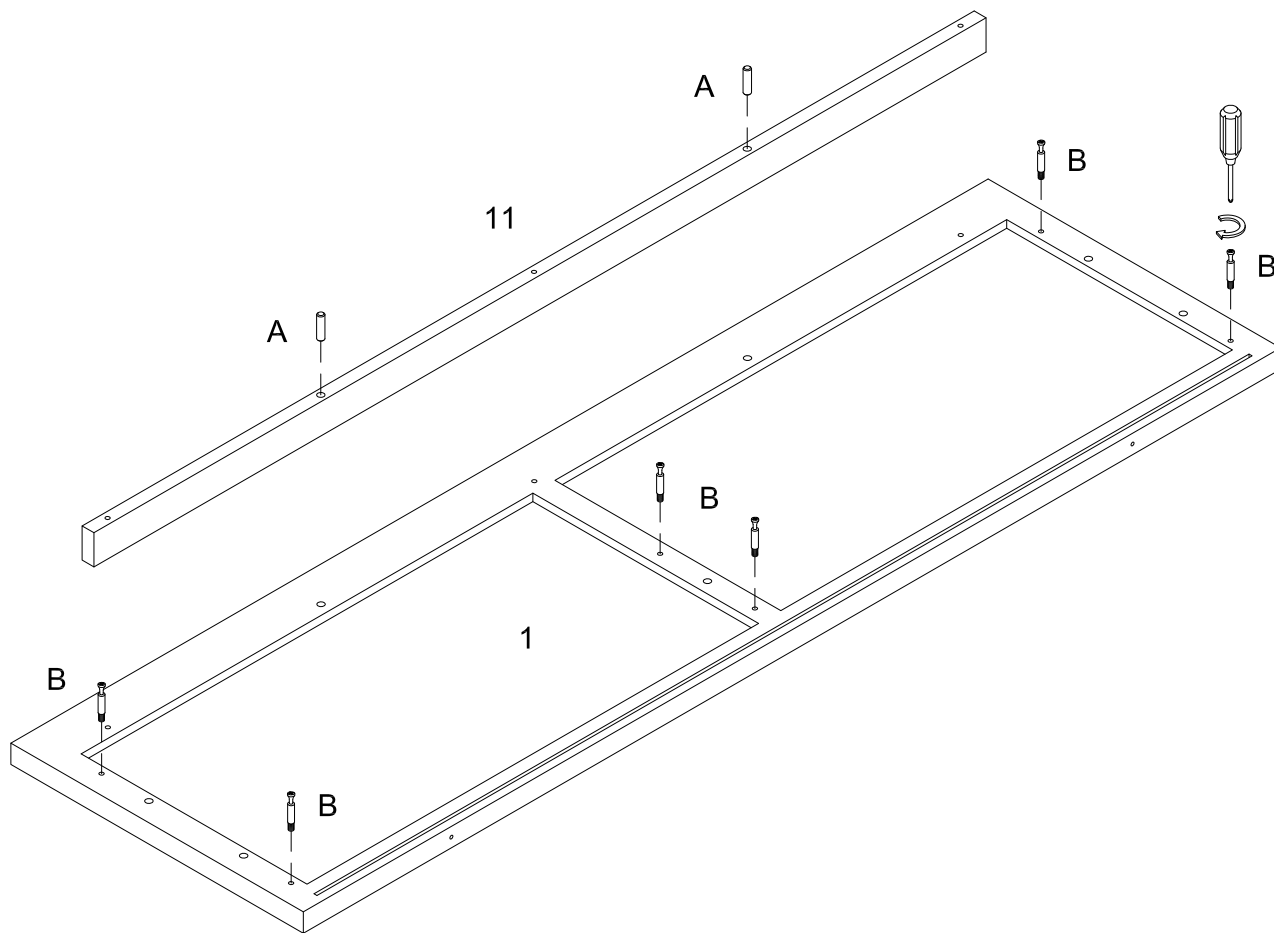
# Step 4



Insert wooden dowel (A) into part (6,7).

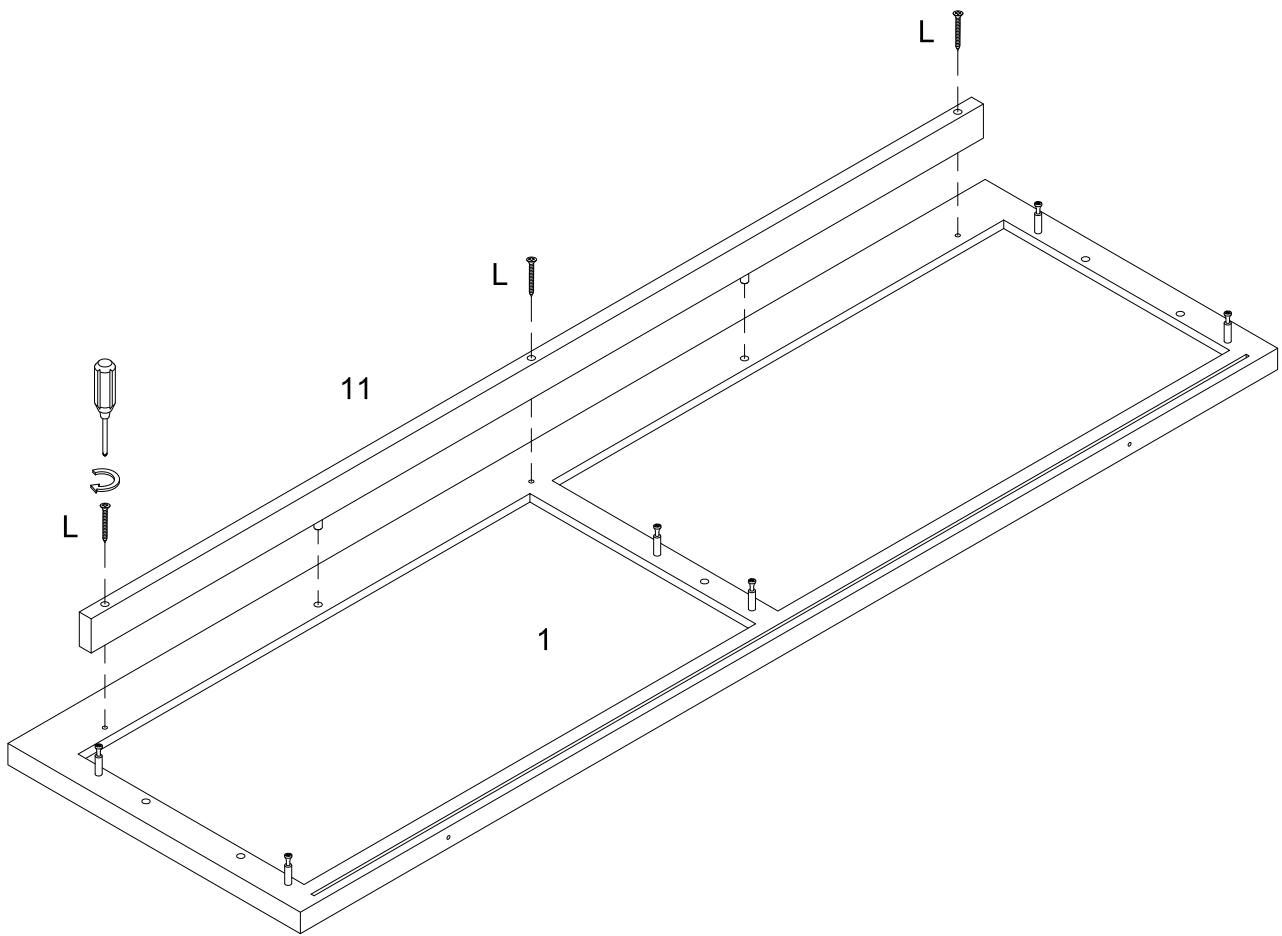


# Step 5



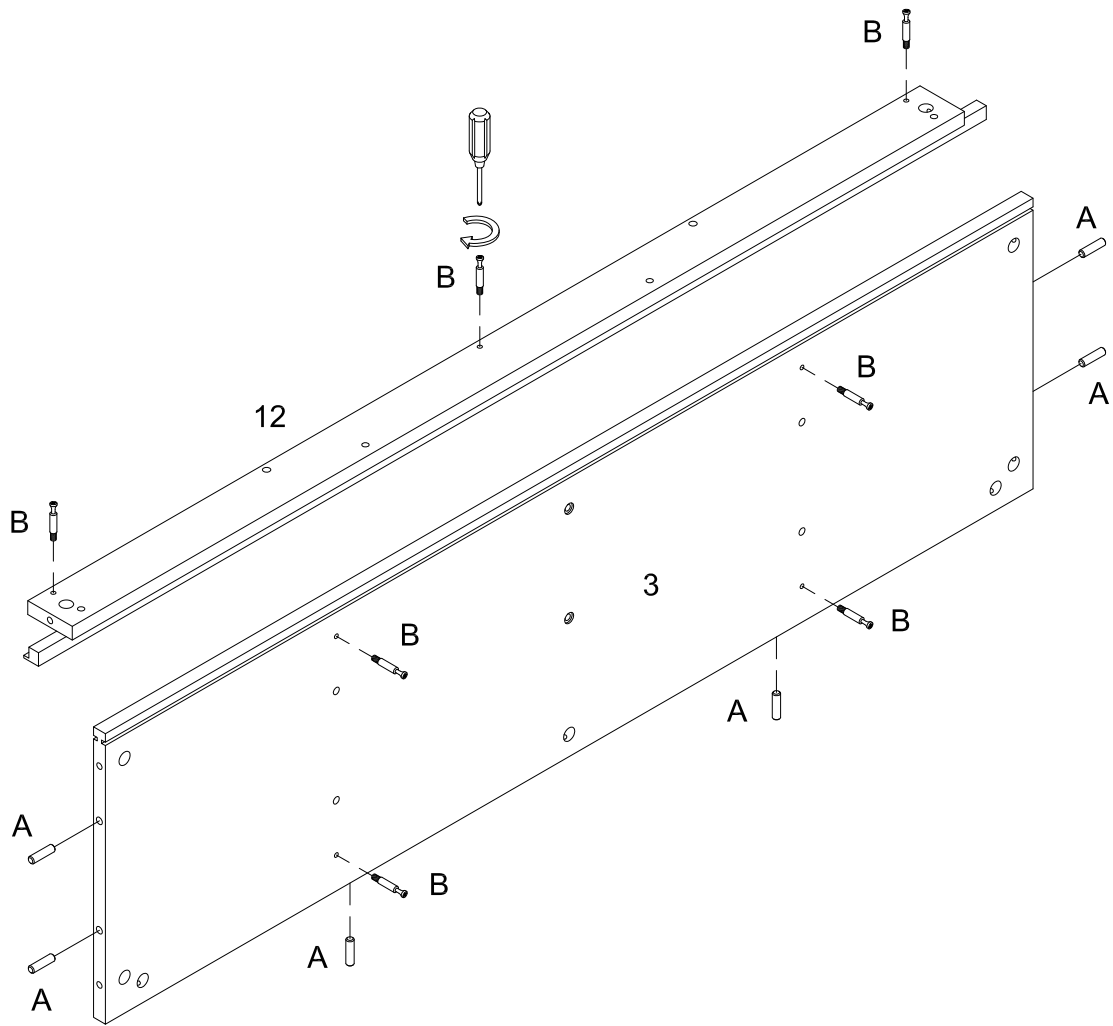
Insert wooden dowel (A) into part (11). Attach cam bolt (B) to part (1) with screwdriver.

# Step 6



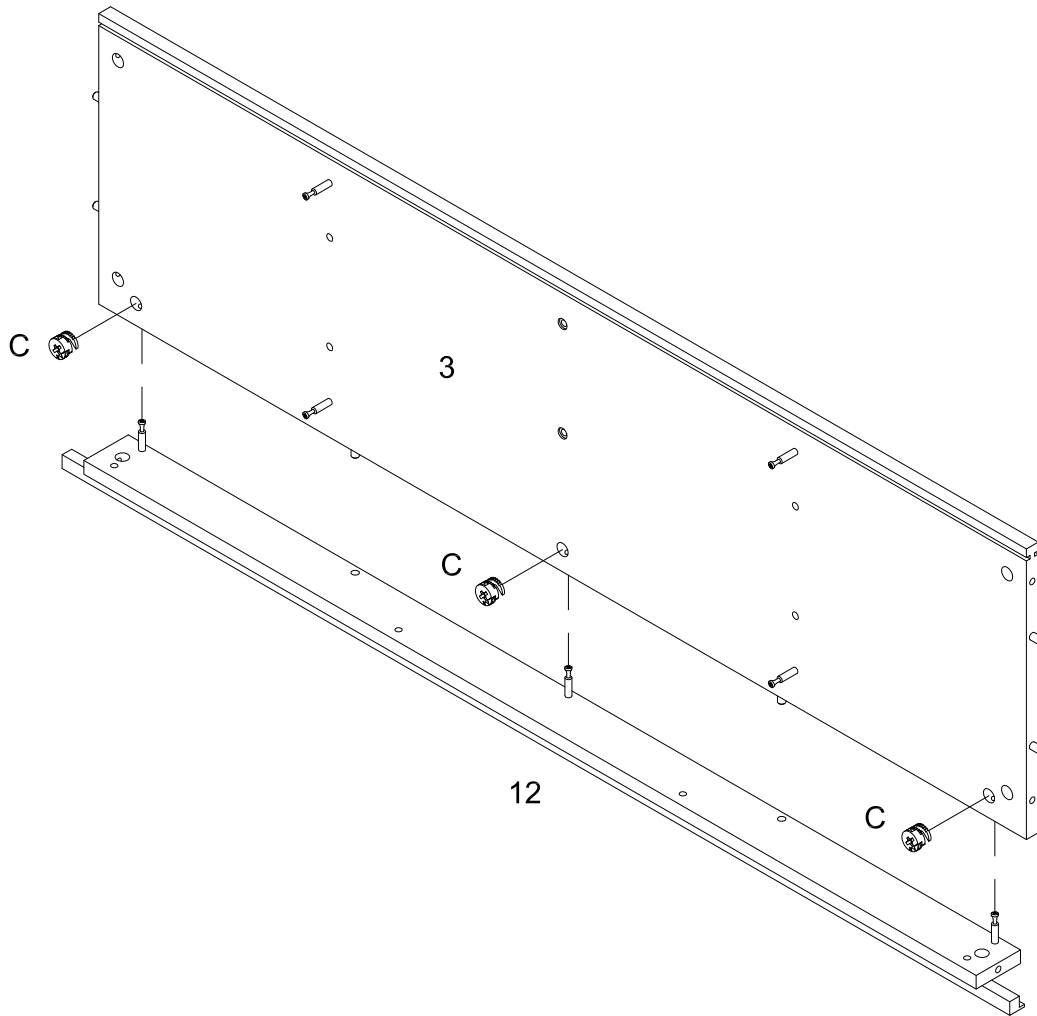
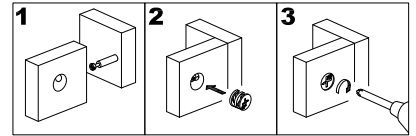
Attach part (11) to part (1) by using screw (L) with screwdriver.

# Step 7



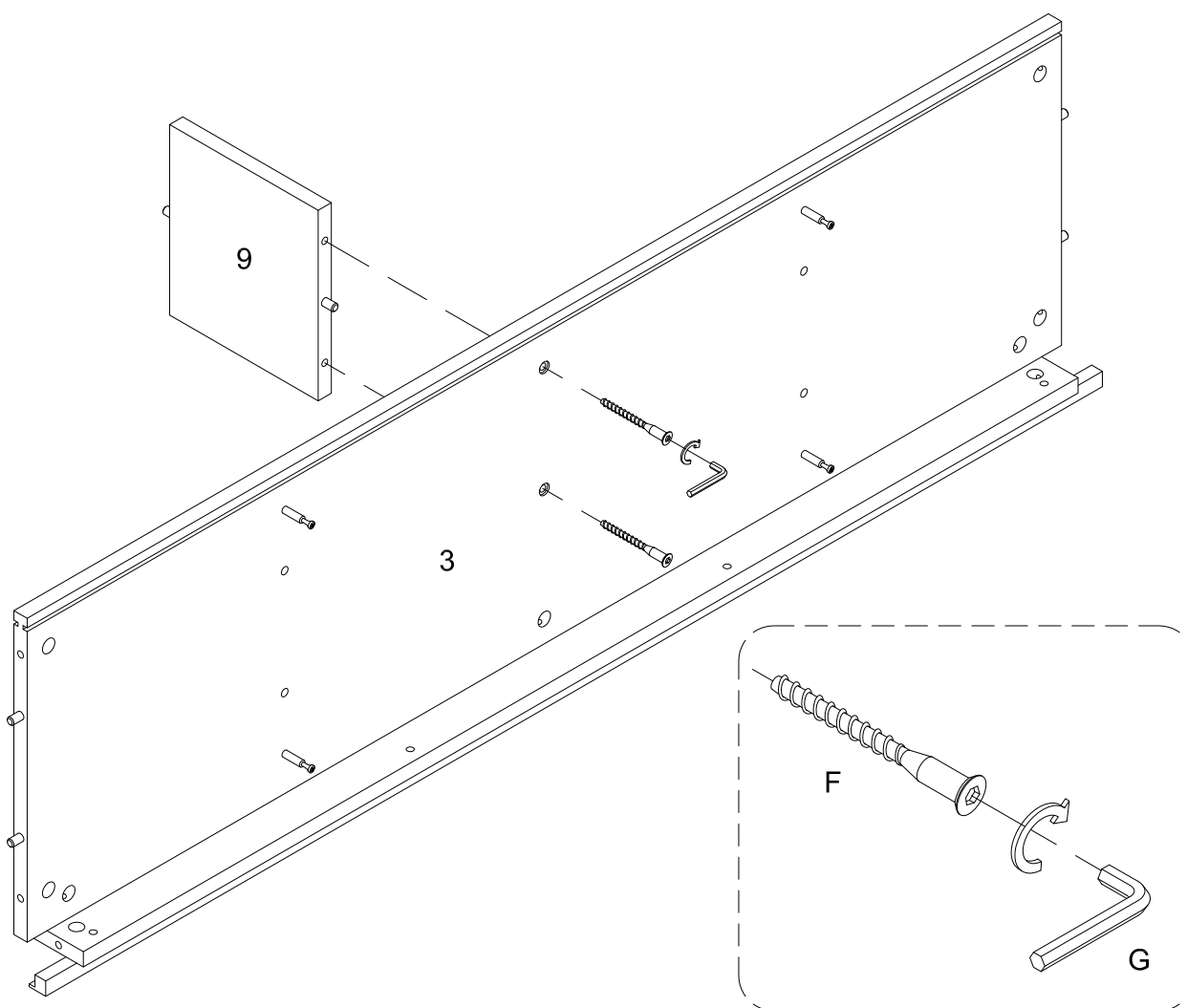
Attach cam bolt (B) to part (12,3) with screwdriver. Insert wooden dowel (A) into part (3).

# Step 8



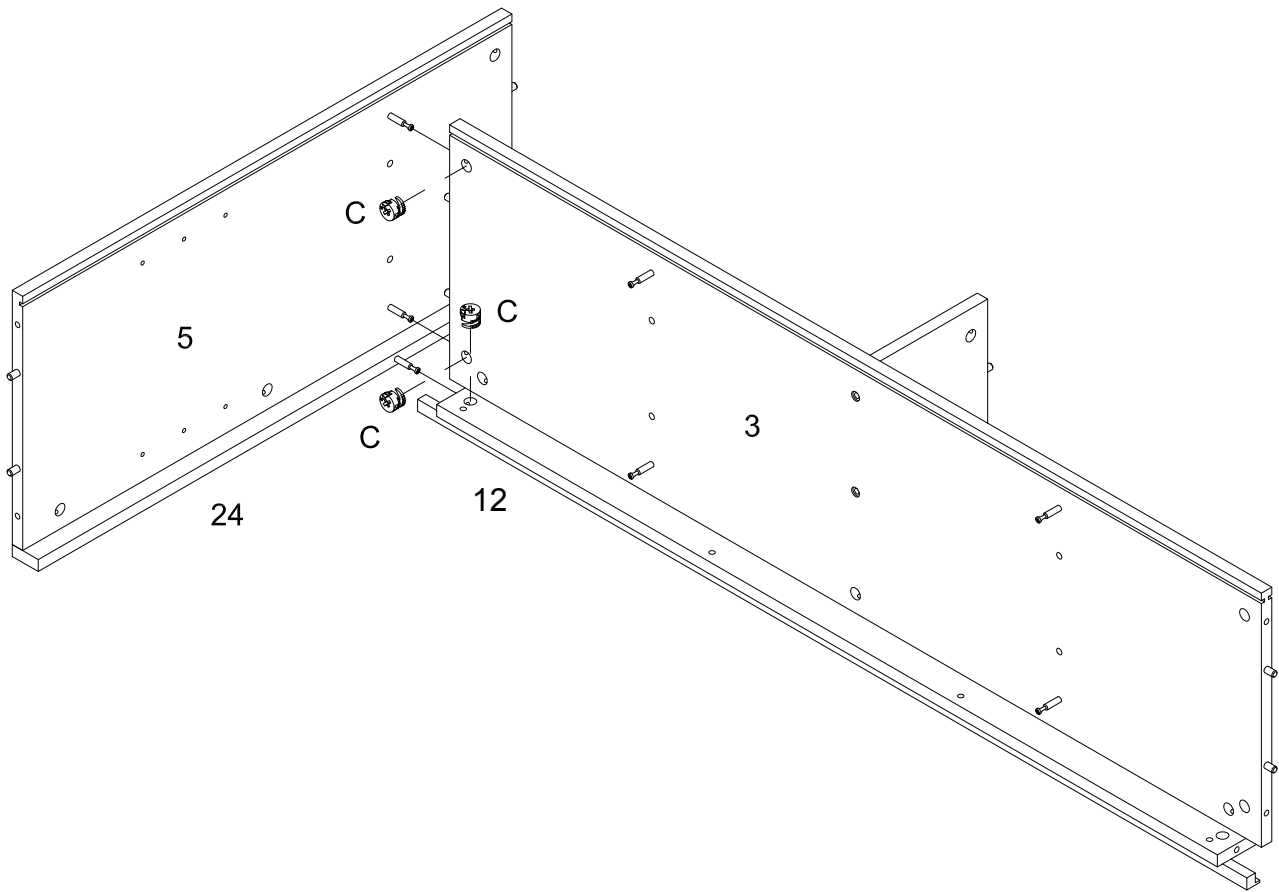
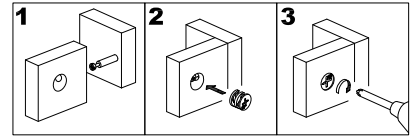
Attach part (3) to part (12), then insert and secure cam lock (C) to part (3) to lock it.

# Step 9



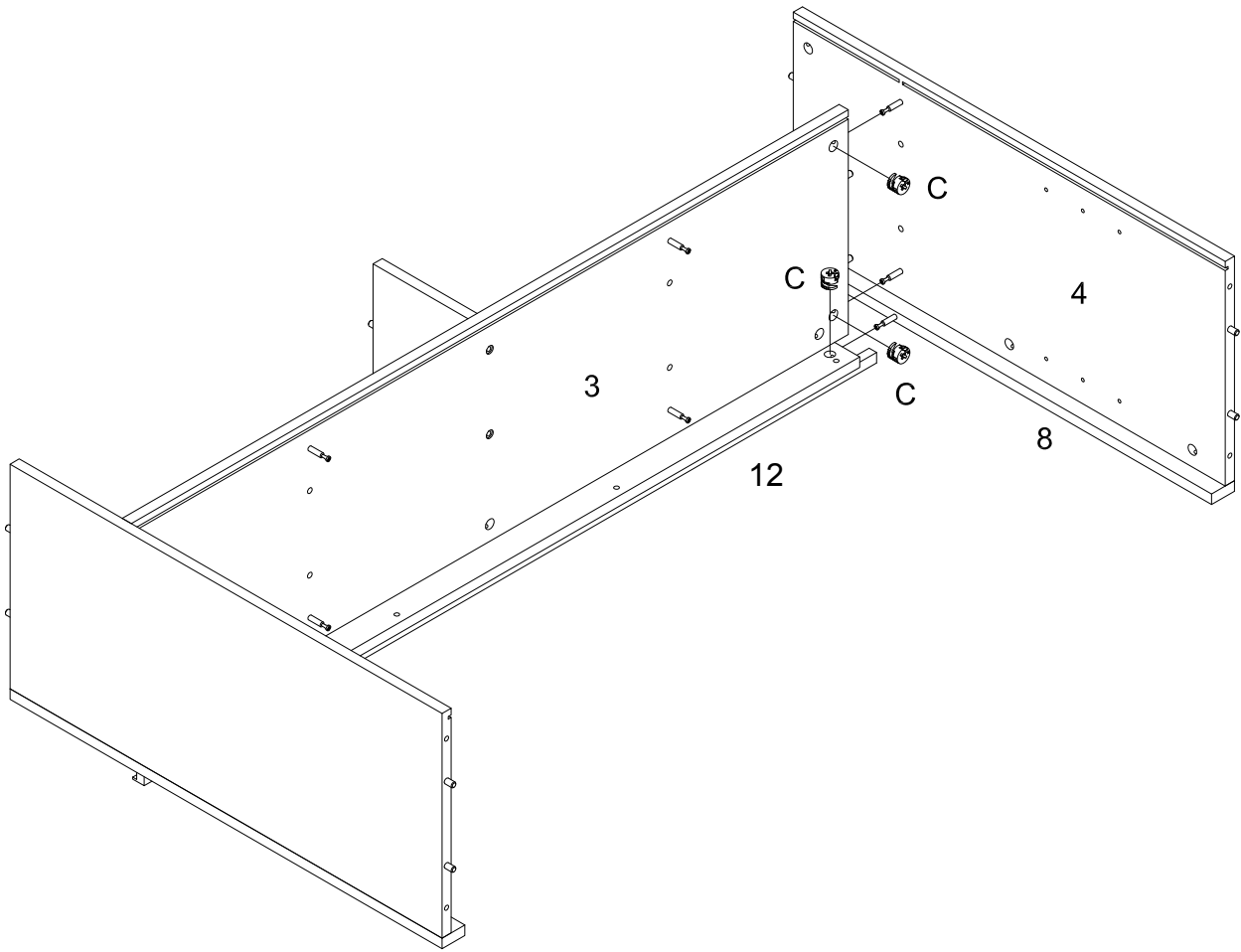
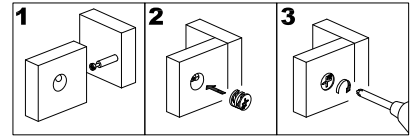
Attach part (9) to part (3) using bolt (F) with hex key (G).

# Step 10



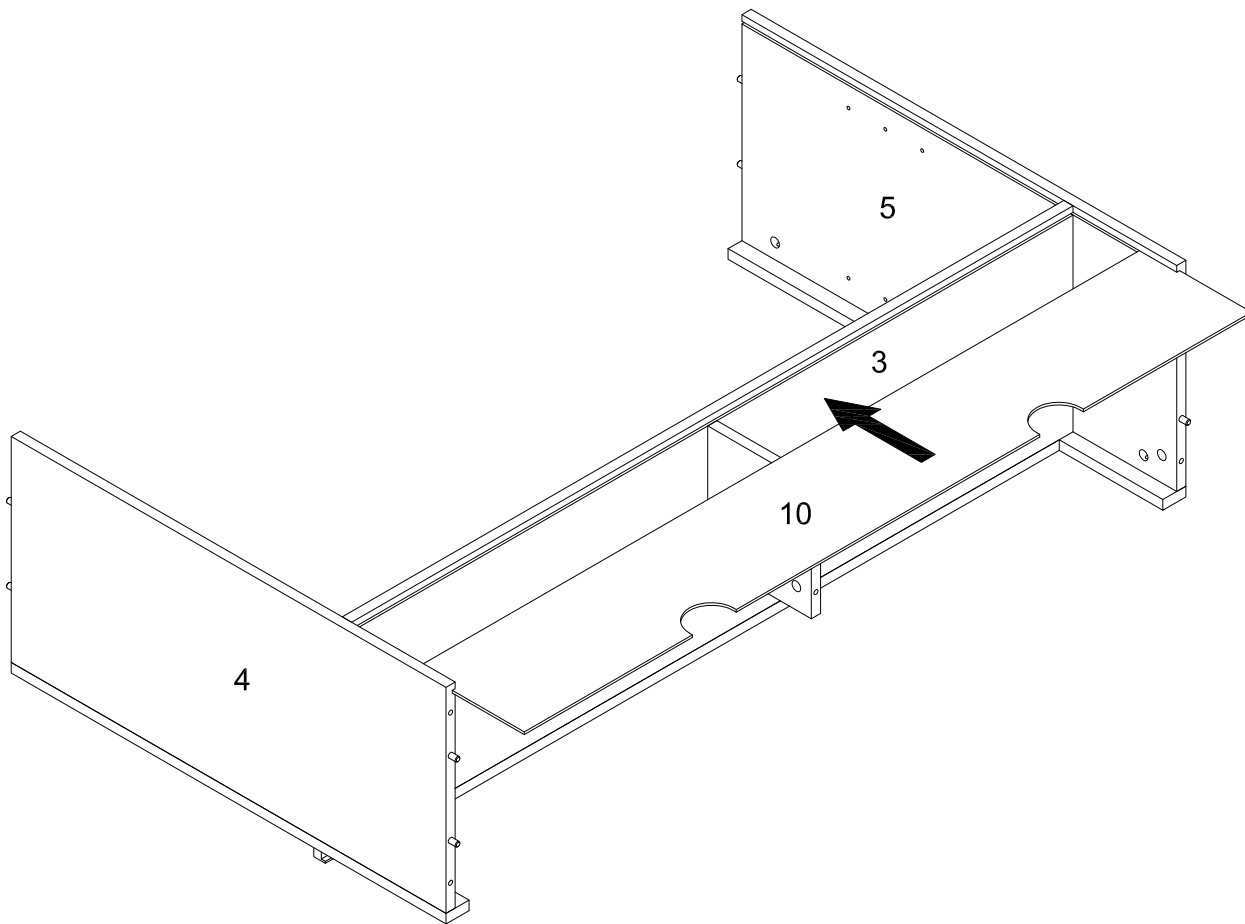
Attach part (5,24) to part (3,12) then insert and secure cam lock (C) in part (3,12) to lock it.

# Step 11



Attach part (4,8) to part (3,12) then insert and secure cam lock (C) in part (3,12) to lock it

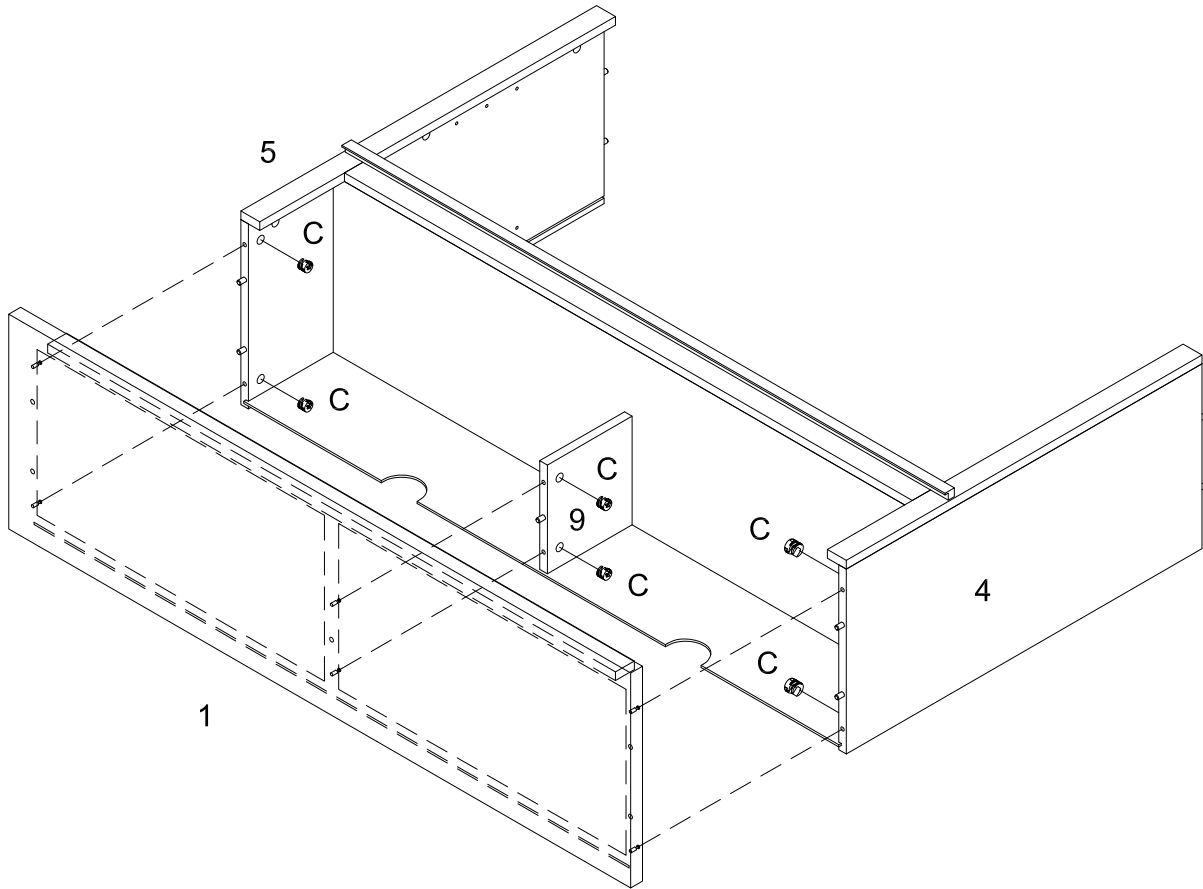
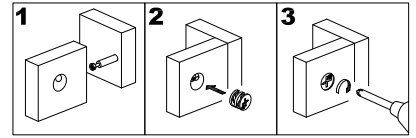
# Step 12



Slide back panel (10) into grooves as per diagram.

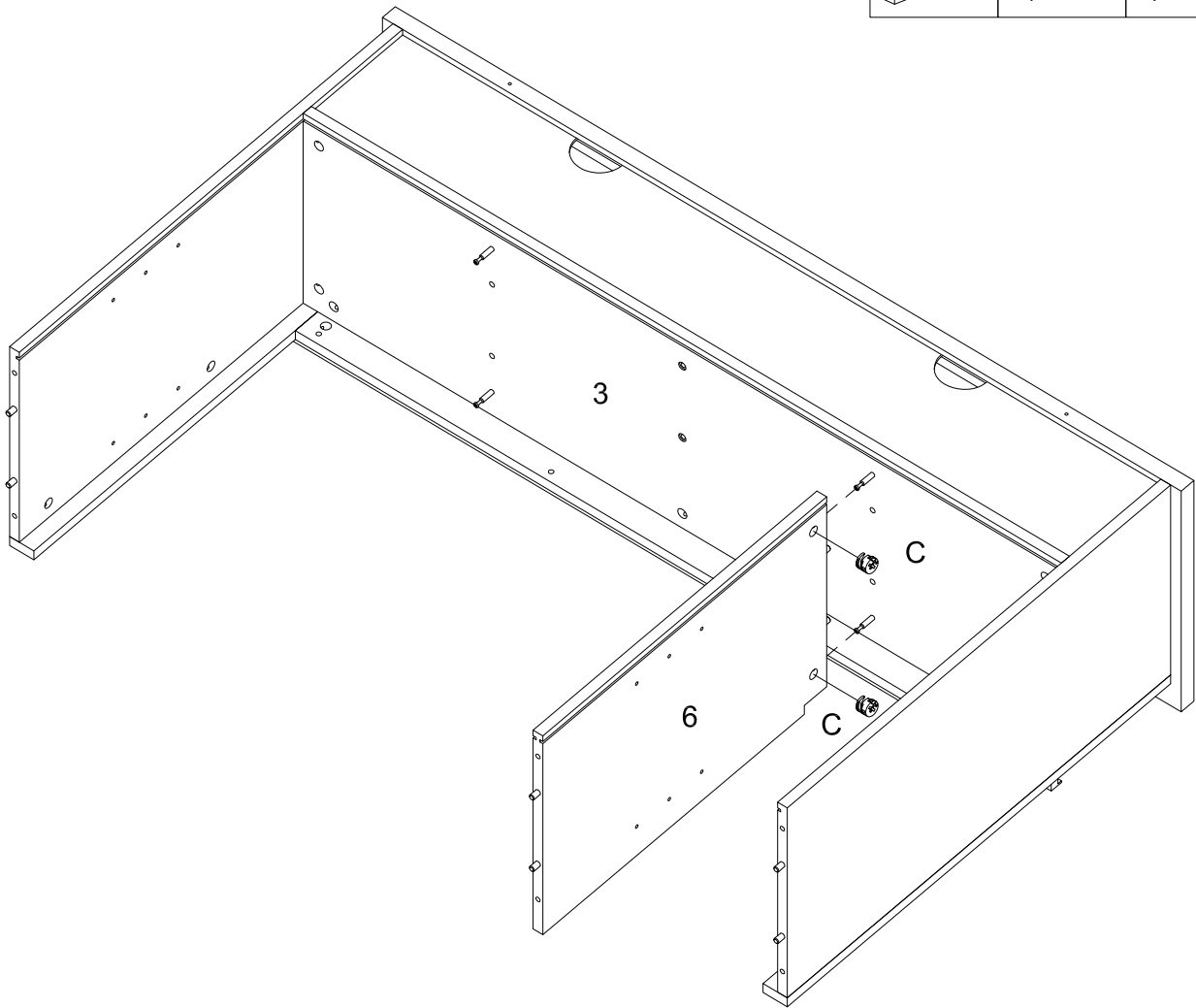
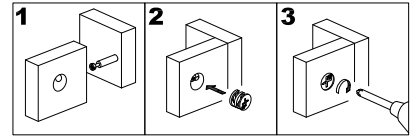


# Step 13



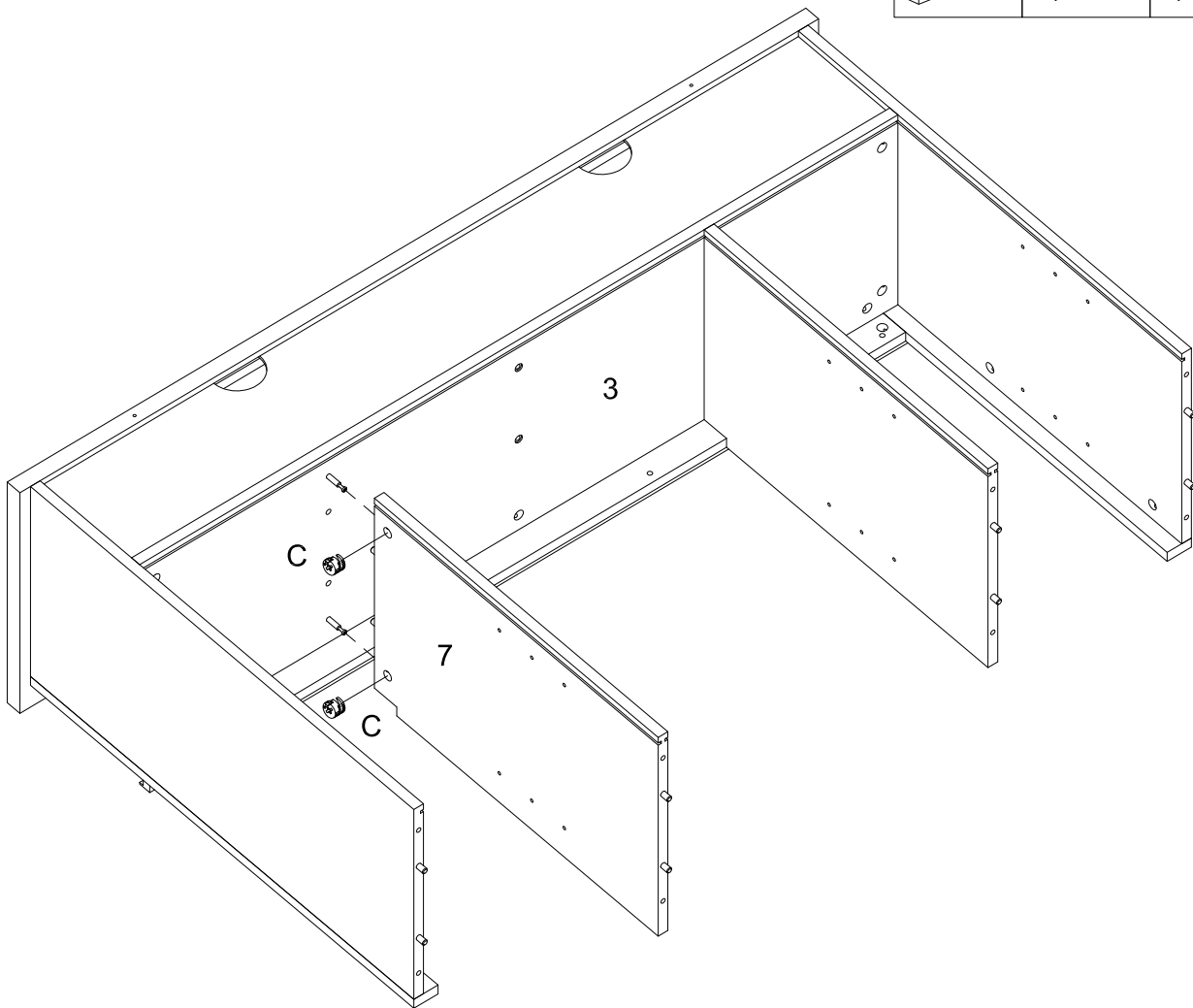
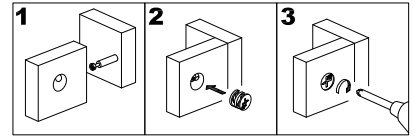
Attach part 1 to part (4,5,9) then insert and secure cam lock (C) to part (4,5,9) to lock it.

# Step 14



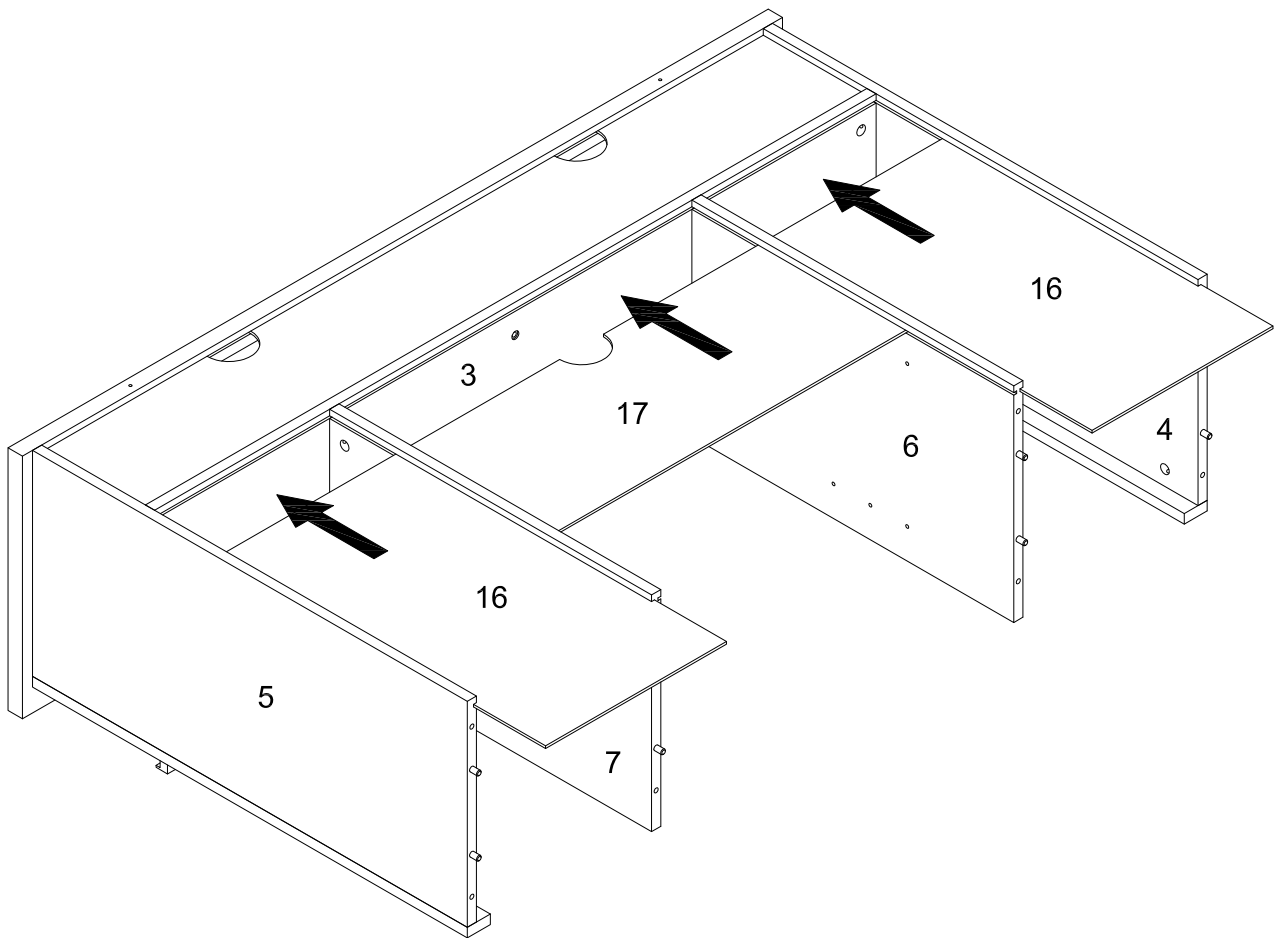
Attach part (6) to part (3) using cam lock (C) to secure.

# Step 15



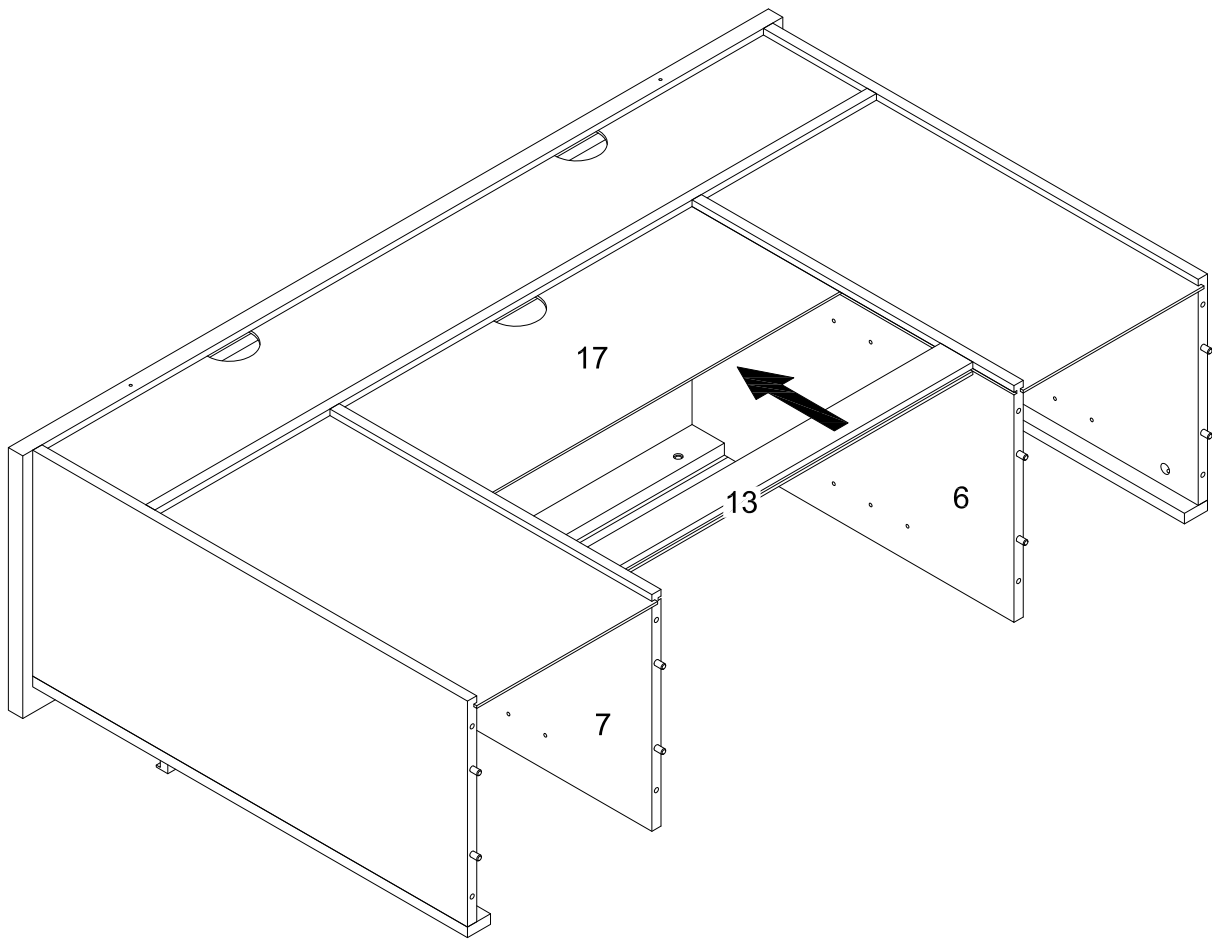
Attach part (7) to part (3), then insert and secure cam lock (C) to part (7) to lock it.

# Step 16



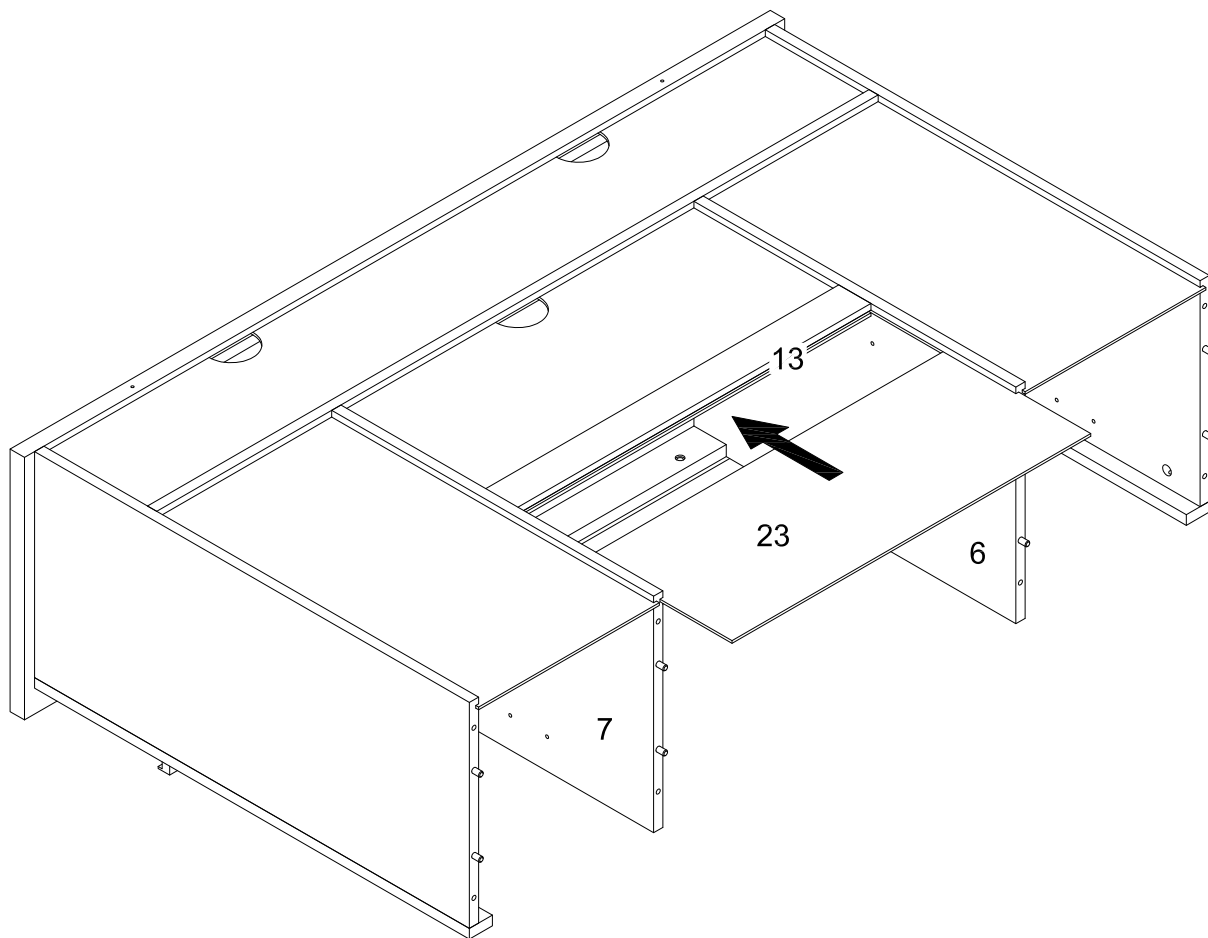
Slide back panel (16,17) into grooves as per diagram.

# Step 17



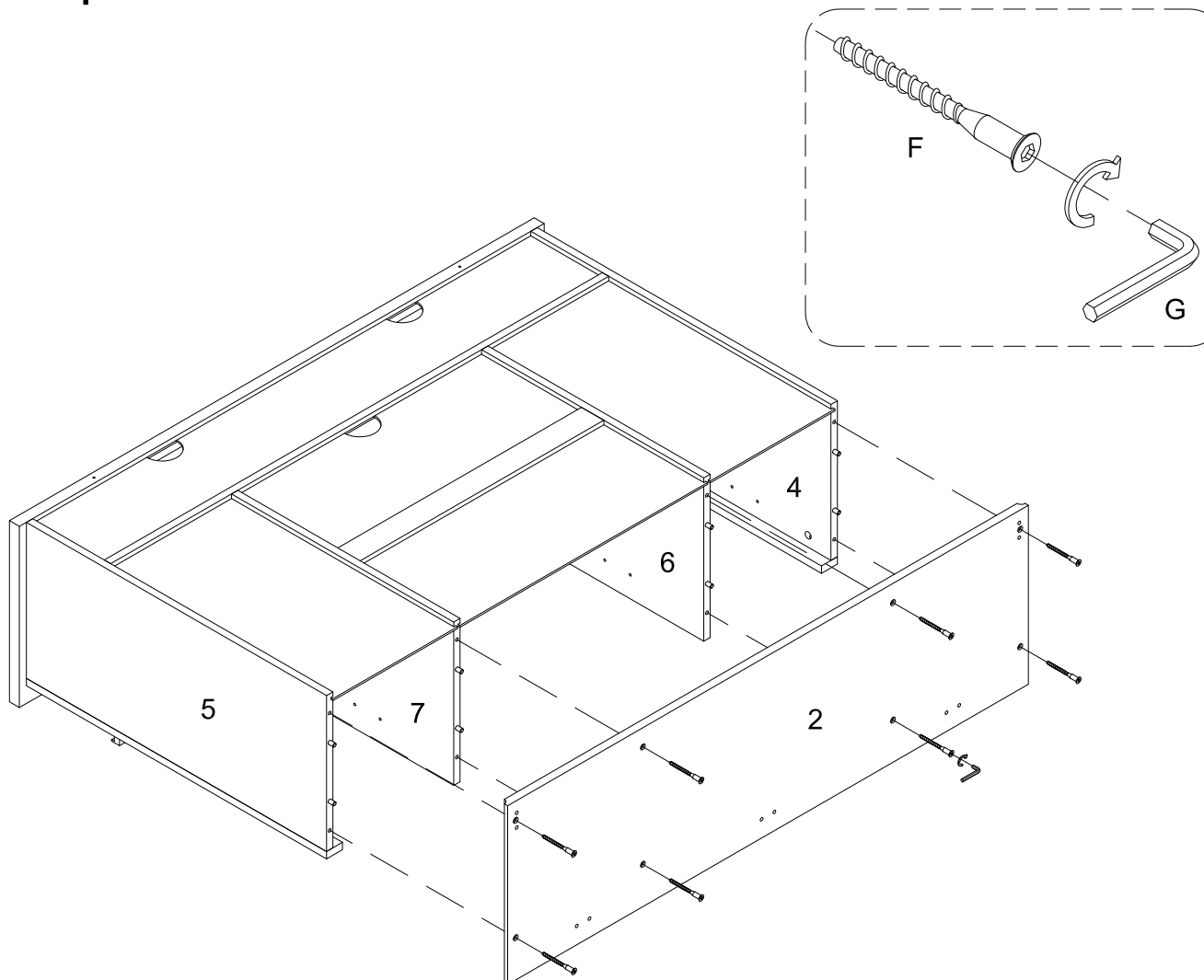
Attach part (13) to part (17)

# Step 18



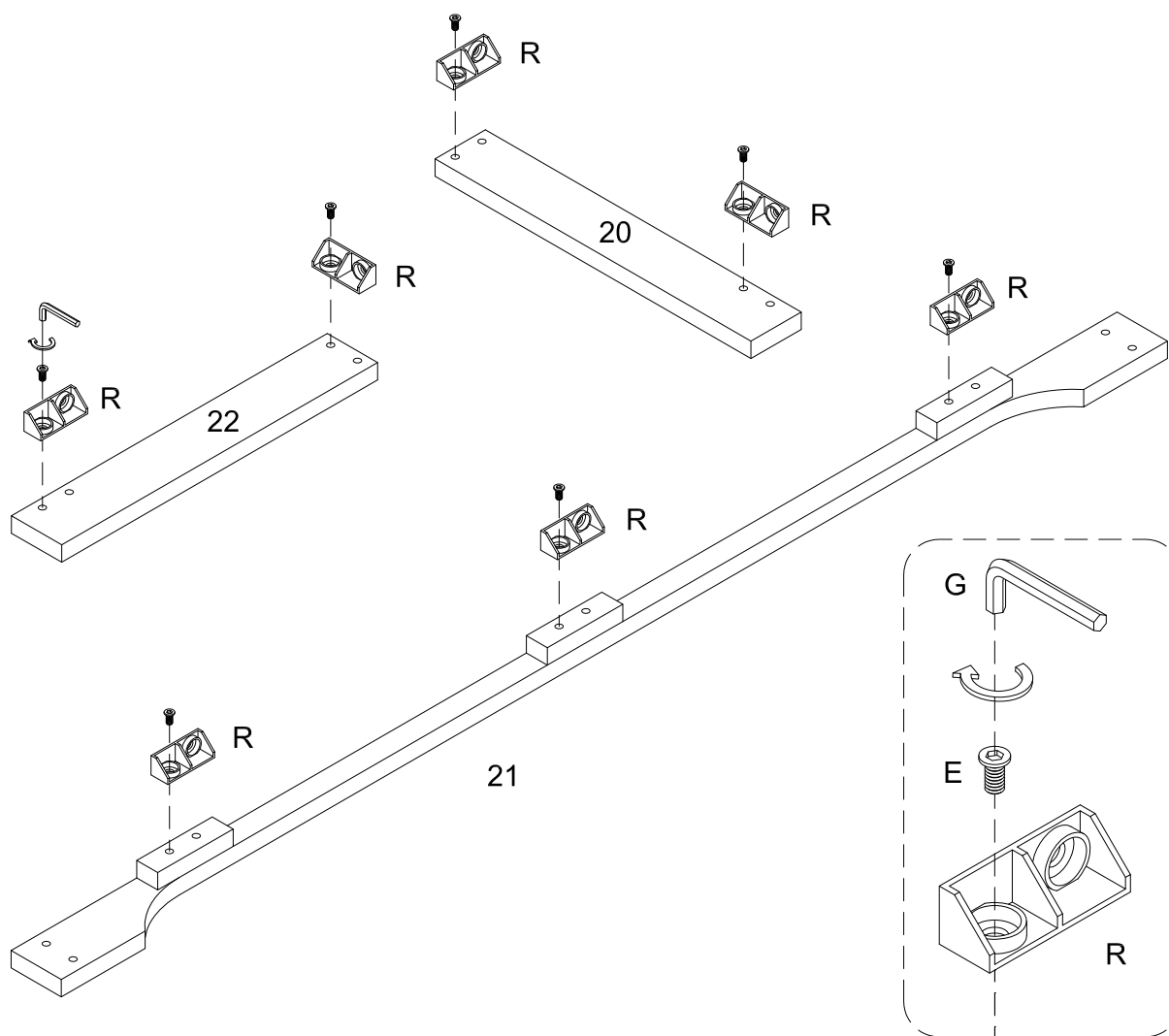
Attach part (23) to part (13)

# Step 19



Attach part (2) to part (4,6,7,5) using Screw (F) with hex key (G).

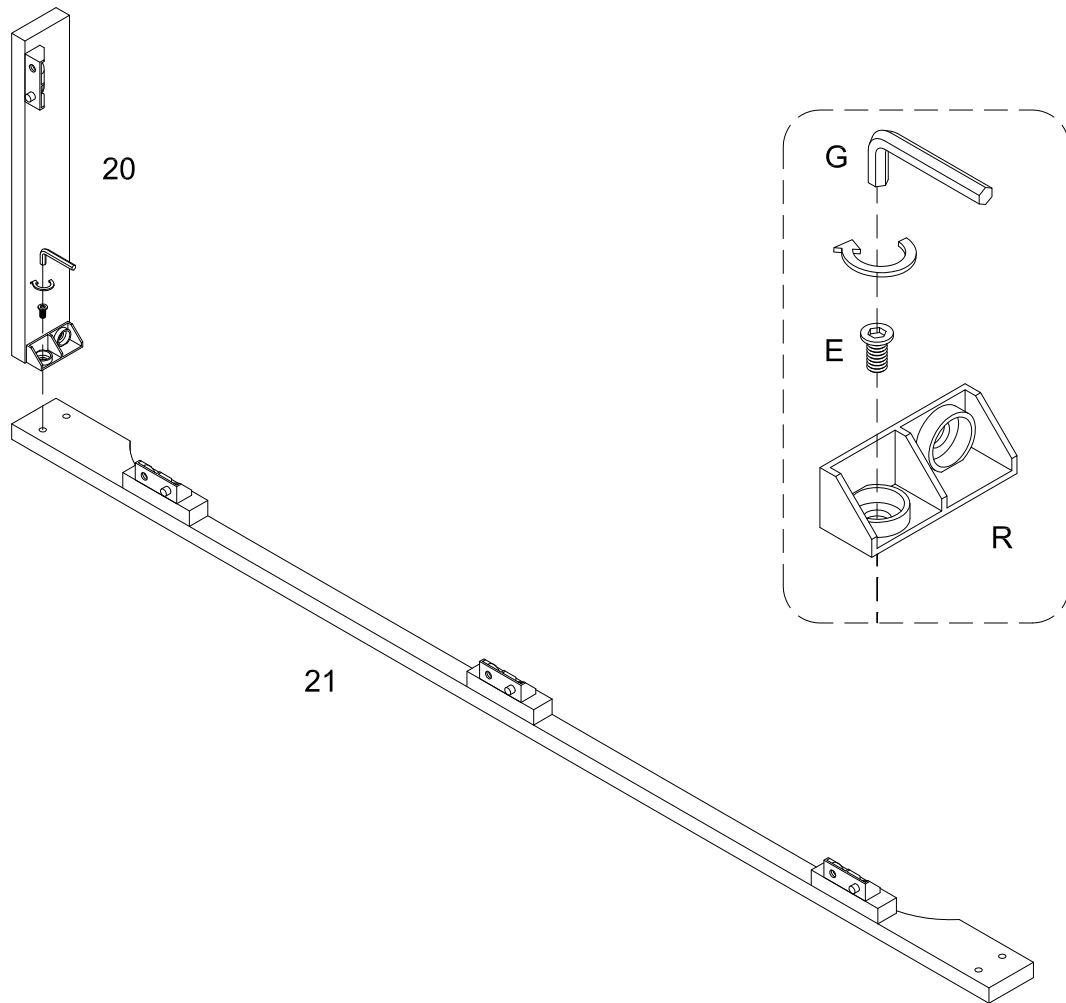
# Step 20



Attach connector (R) to part (22,20,21) using bolt (E) with hex key (G).

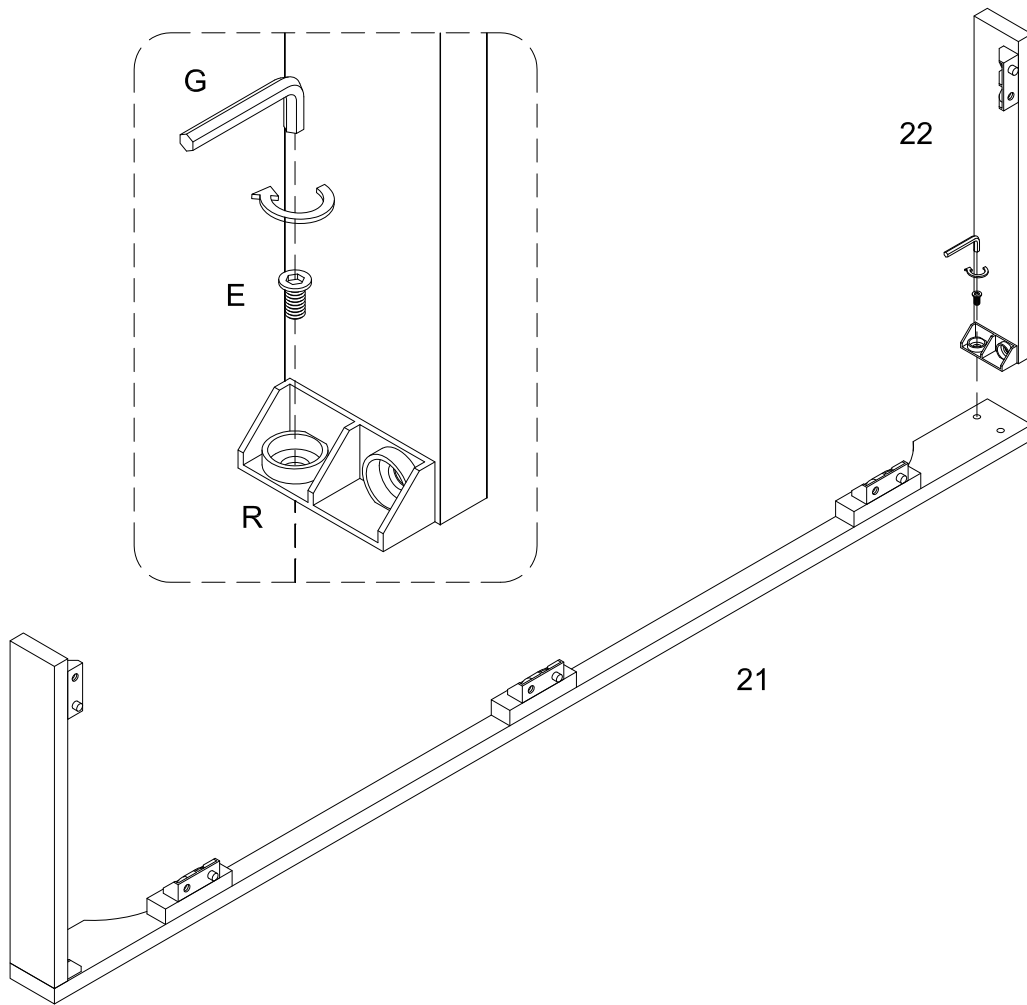


# Step 21



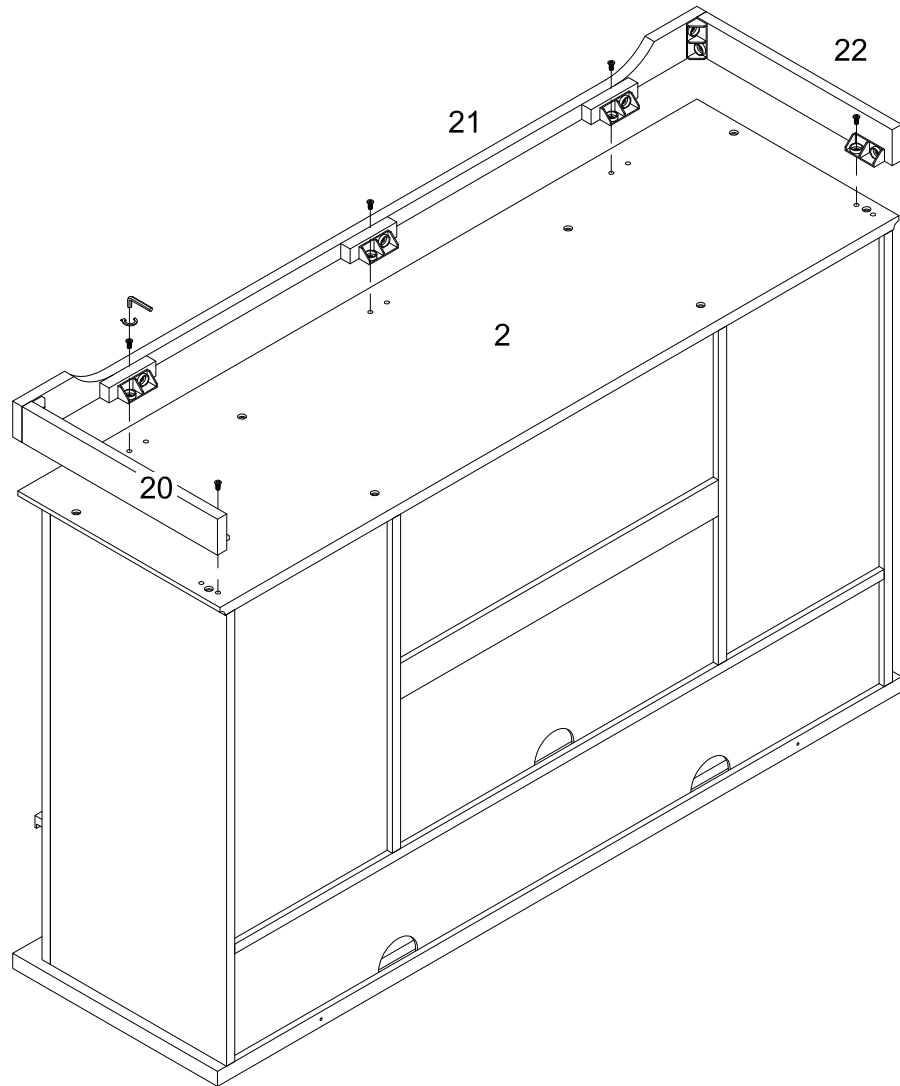
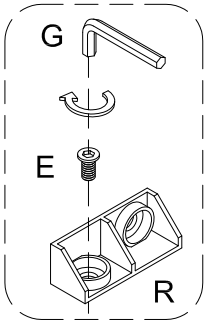
Attach part (20) to part (21) using bolt (E) with hex key (G).

# Step 22



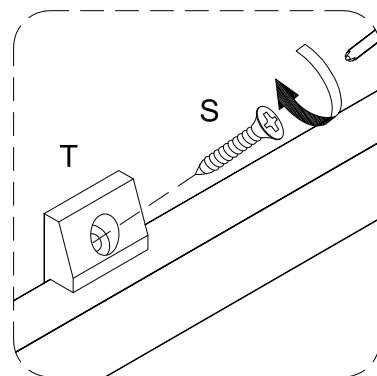
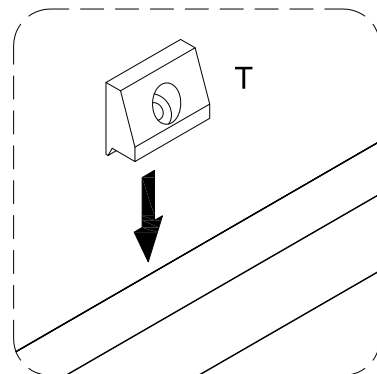
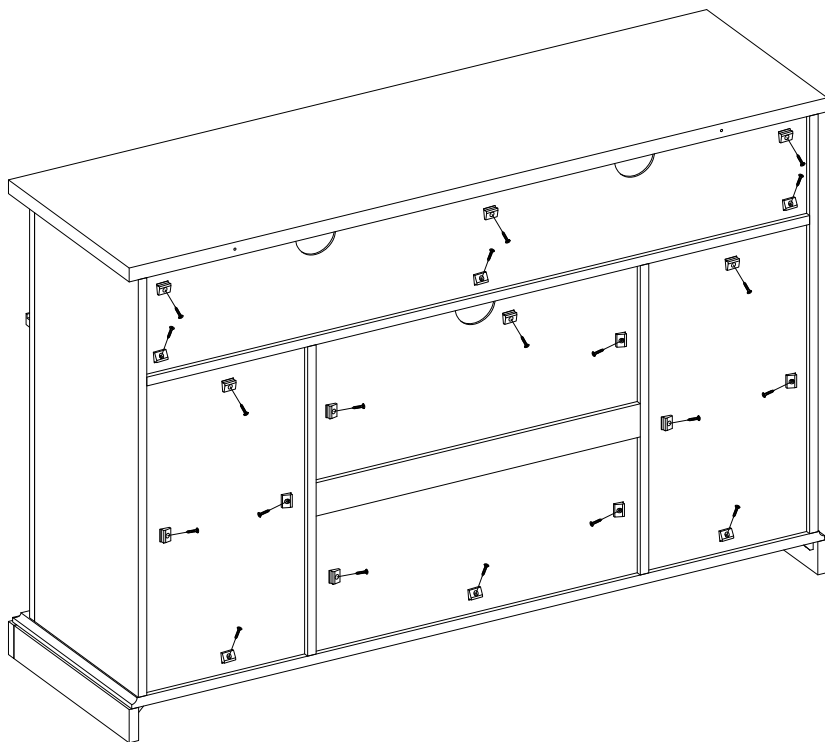
Attach part (22) to part (21) using bolt (E) with hex key (G).

# Step 23



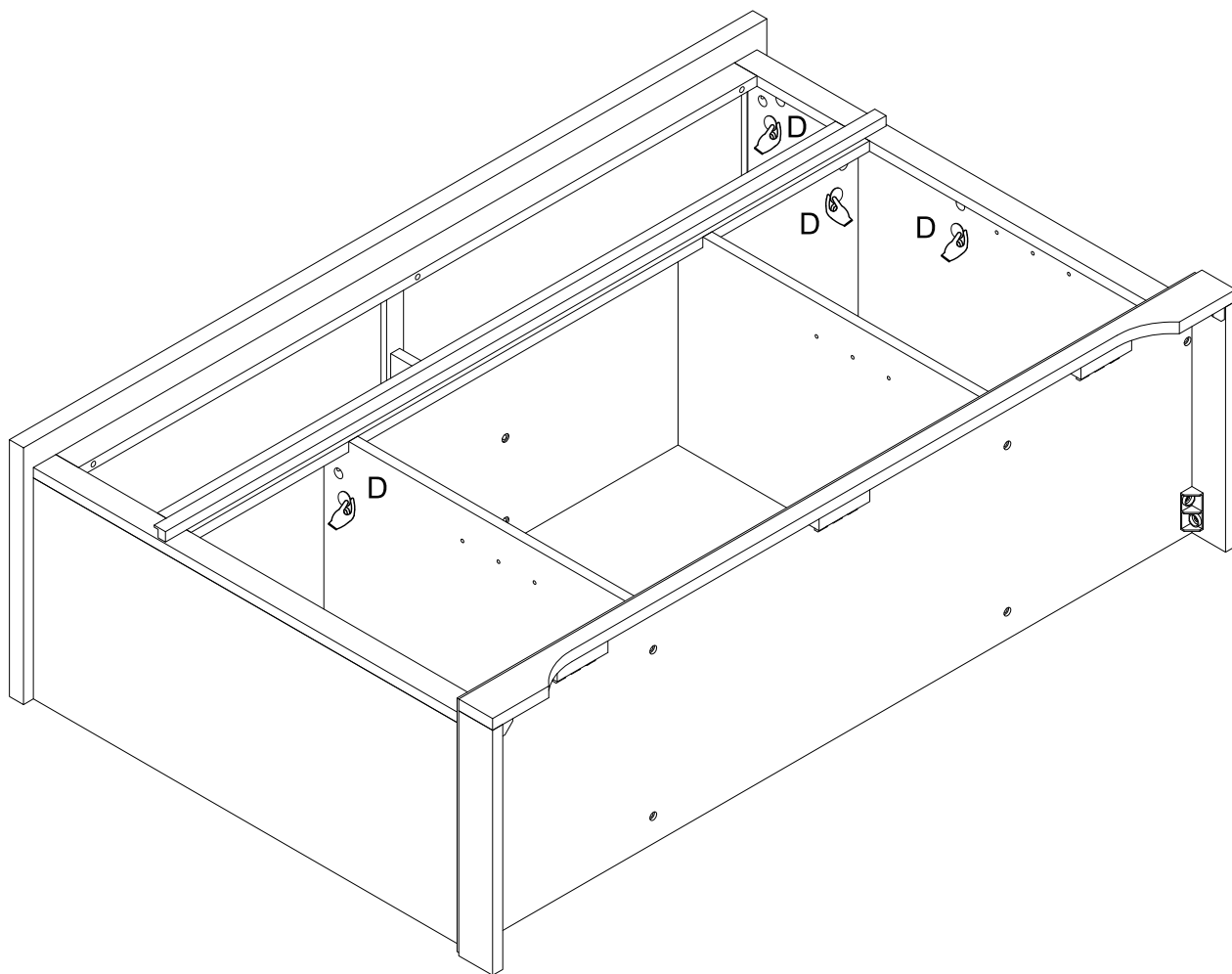
Attach Base unit (20,21,22) to part (2) using connector (R) with bolt (E) and hex key (G).

# Step 24



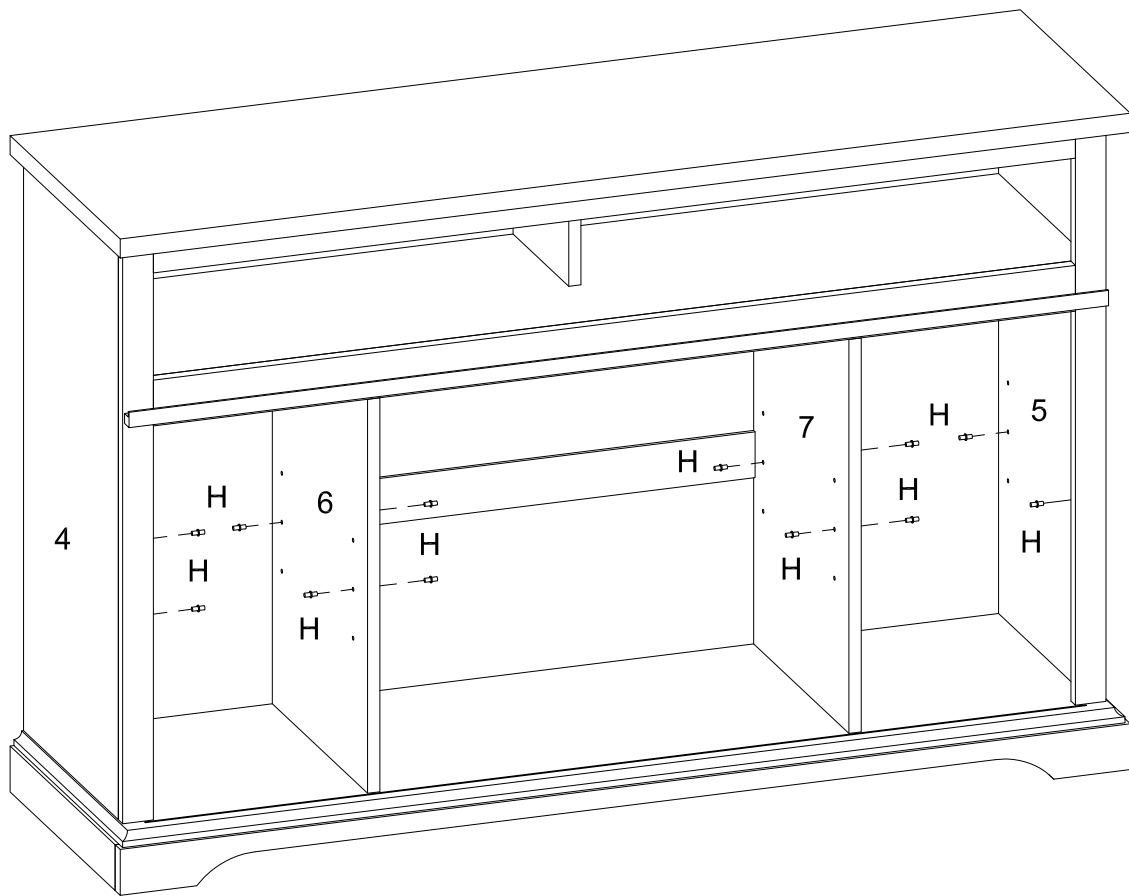
Attach plastic wedge (T) using screw (S) with screwdriver.

# Step 25



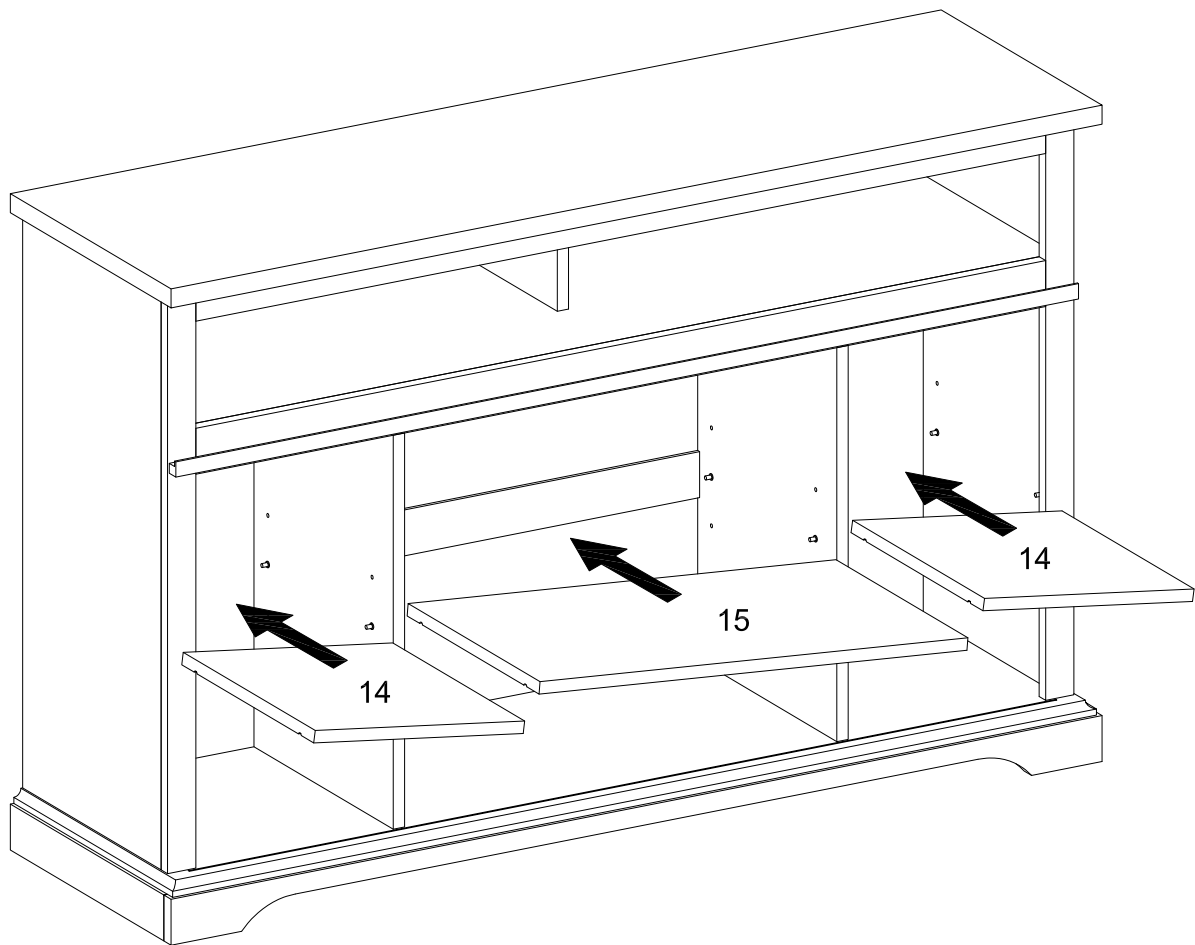
Place sticker (D) over holes as per diagram.

# Step 26



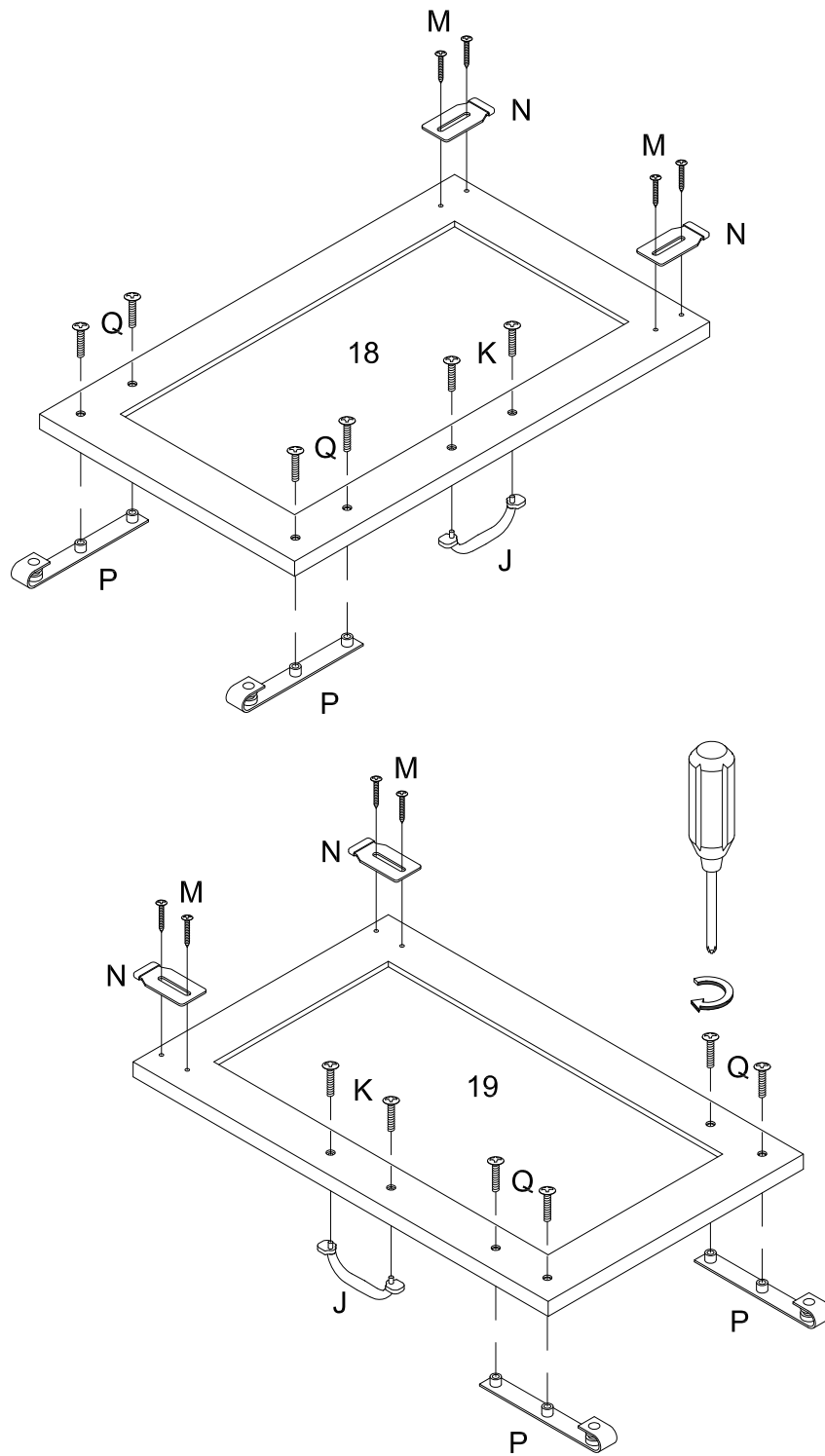
Insert shelf support pin (H) into part (4,6,7,5)

## Step 27



Place shelf (14,15) on top of support pin.

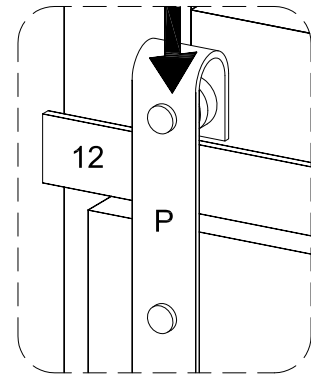
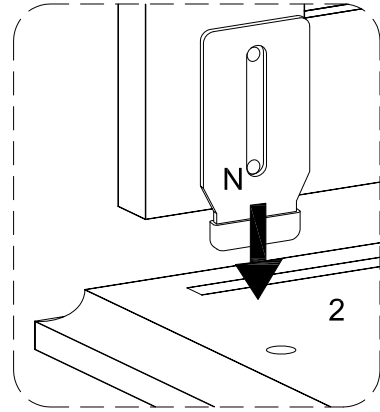
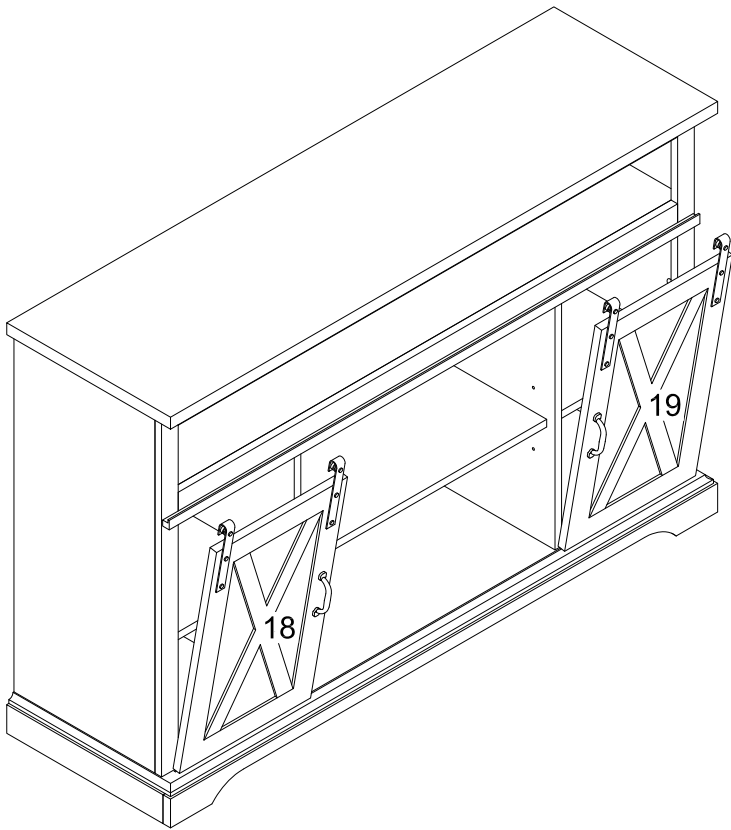
# Step 28



Attach pulley (P) using bolt (Q), and plate (N) using screw (M) to part (18)(19) with screwdriver, Using Bolt(K) secure handle (J)



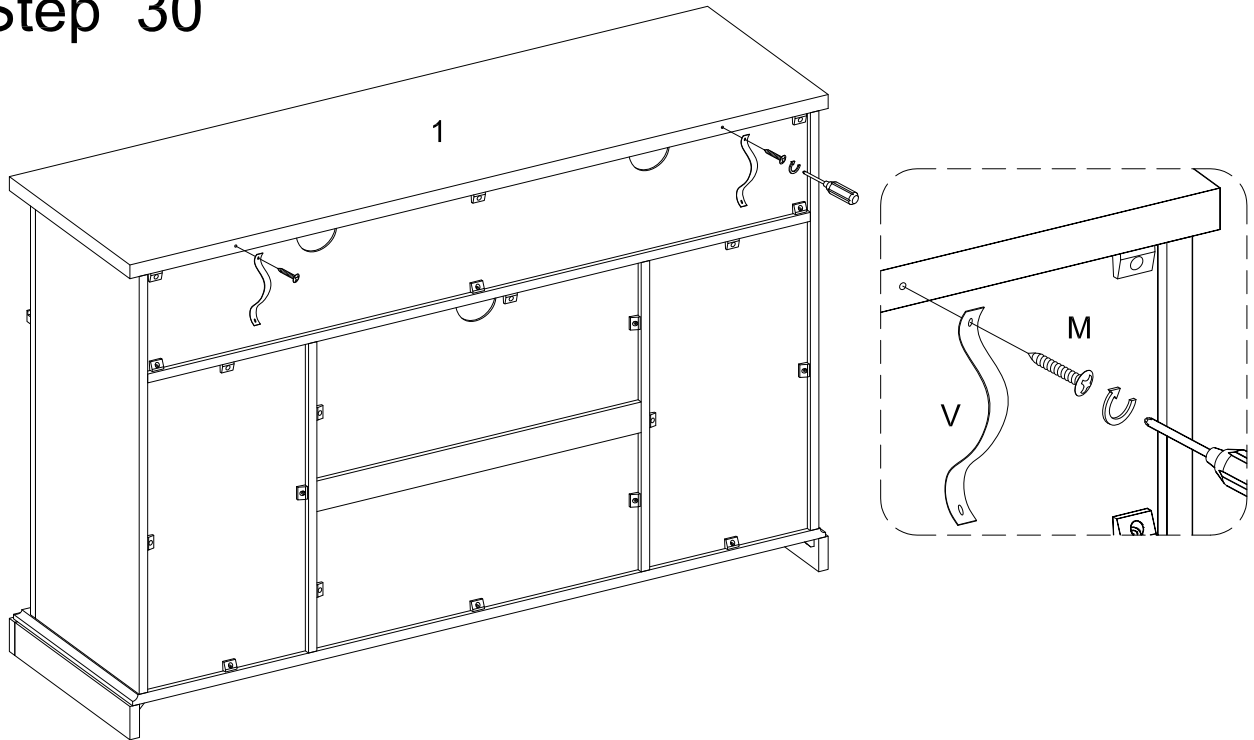
## Step 29



Place door guide (N) on door into the groove on part (2). Then hang pulley (P) on part (12). Door should fit securely and glide smoothly.

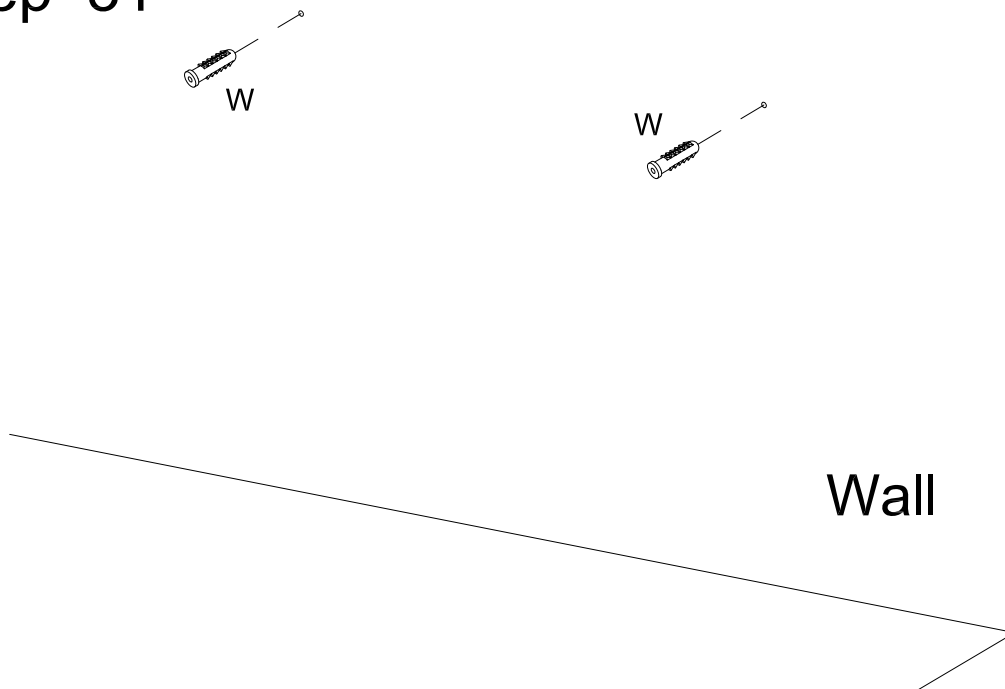
Hang pulley (P) to part (12) then press down to hold the door.

## Step 30



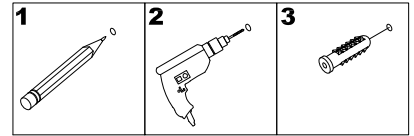
Attach plastic strap (V) to back panel by using screw (M) with screwdriver

## Step 31

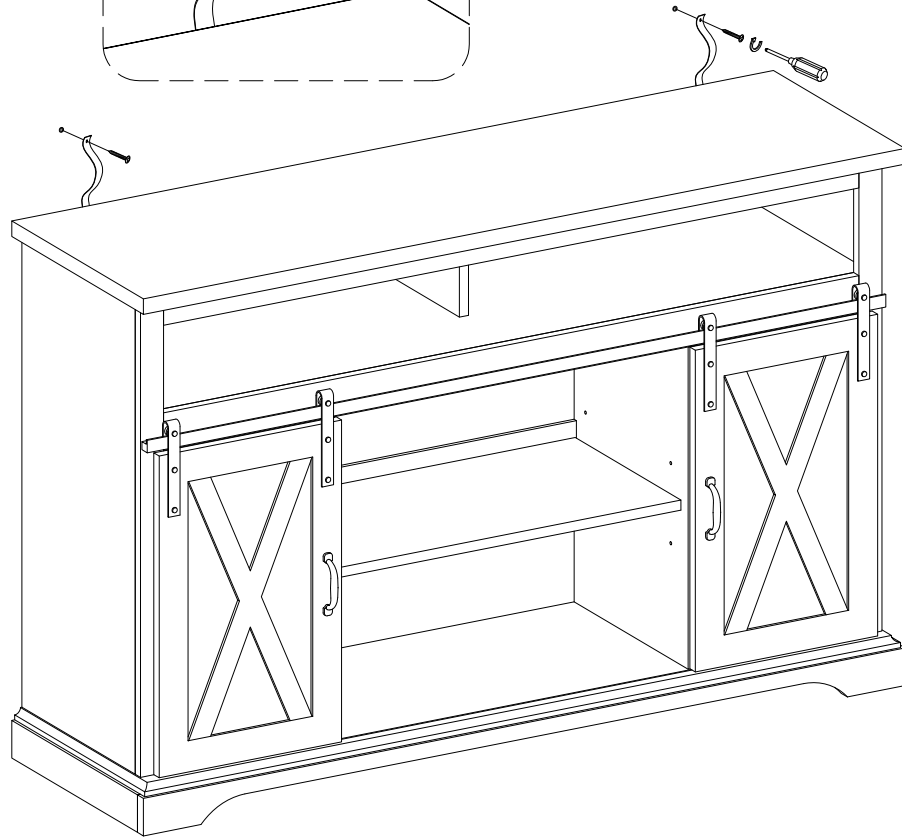
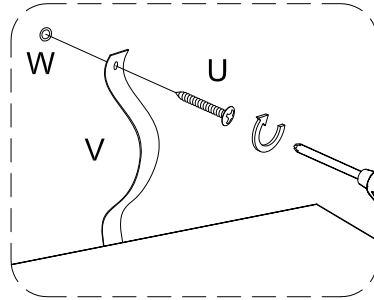


Insert Nut (W) into wall

# Step 32



Wall



Insert screw (W) into wall (V) using screwdriver (U).

## Final Assembly