



LED BLACK OUTDOOR WALL LIGHT ASSEMBLY/INSTALLATION INSTRUCTIONS

Item # 588459:LED BLACK OUTDOOR WALL LIGHT

Please read carefully and save these instructions, as you may need them at a later date.

CAUTION

WARNING:Risk of Fire.Min90°C supply conductors.Consult a qualified electrician to ensure correct branch circuit conductor.

Turn off the main power at the circuit breaker before installing the fixture, in order to prevent possible shock.

GENERAL

All electrical connections must be in accordance with local and National Electrical Code (N.E.C.) standards. If you are unfamiliar with proper electrical wiring connections obtain the services of a qualified electrician.

Remove the fixture and the mounting package from the box and make sure that no parts are missing by referencing the illustrations on the installation instructions.

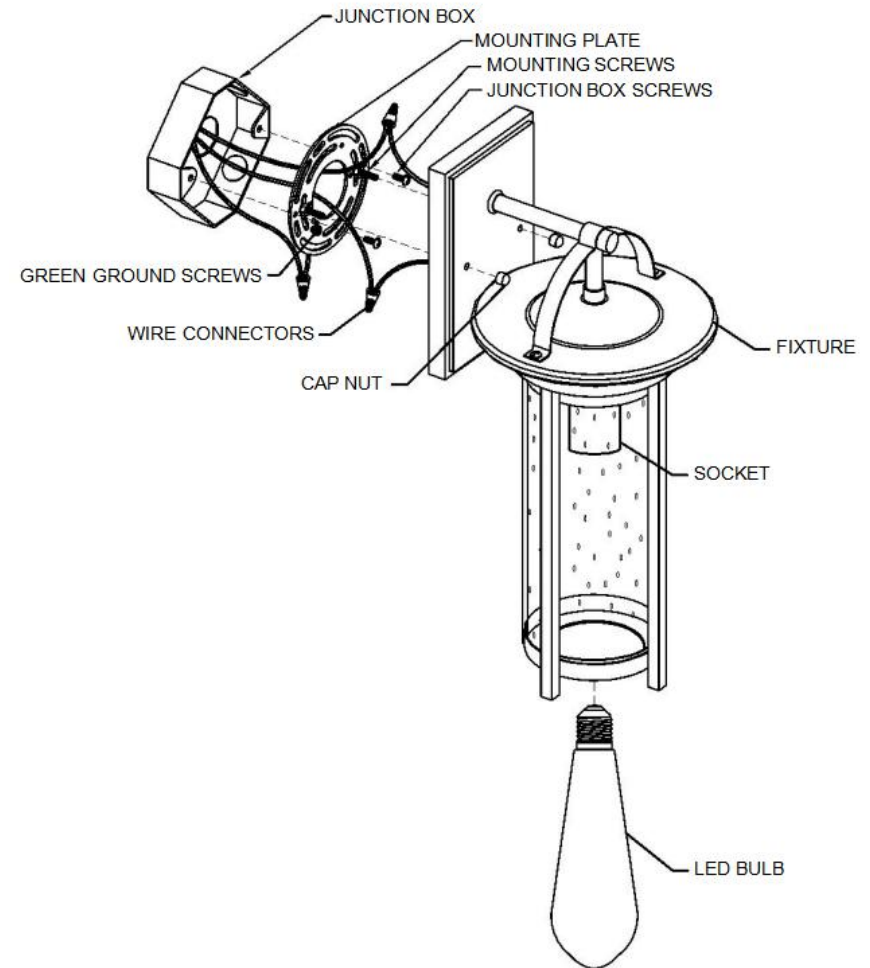
ASSEMBLY AND INSTALLATION

Turn off the power at fuse or circuit breaker.

1. Gently take all parts out of the package and lay them on a smooth surface. Unscrew the CAP NUT of the FIXTURE and remove the MOUNTING PLATE. Attach the MOUNTING PLATE to the JUNCTION BOX using two JUNCTION BOX SCREWS.
2. Make wire connections with WIRE CONNECTORS:
 - A- Connect the black wire from the fixture to the black supply wires.
 - B- Connect the white wire from the fixture to the white supply wires.
 - C- Attach the fixture ground wire to the CROSS BAR with the GREEN GROUND SCREW. Connect it to the SUPPLY GROUND WIRE with the WIRE CONNECTOR. Carefully tuck wires back into the JUNCTION BOX.
3. Attach the FIXTURE to the MOUNTING PLATE through SCREW HOLE as shown, and secure it with CAP NUT. Wet location luminaires are constructed to prevent the accumulation of water on live parts, electrical components, or conductors not identified for use in contact with water.
4. Install the LED Bulb into SOCKET.

Turn on the power at fuse or circuit breaker

ASSEMBLY AND INSTALLATION (CONT.)



588459

**IF IN DOUBT ABOUT ELECTRICAL INSTALLATION,
CONSULT A LICENSED ELECTRICIAN.**

Customer Service 1-800-558-8700