

**SIMPLI™**  
**H O M E**

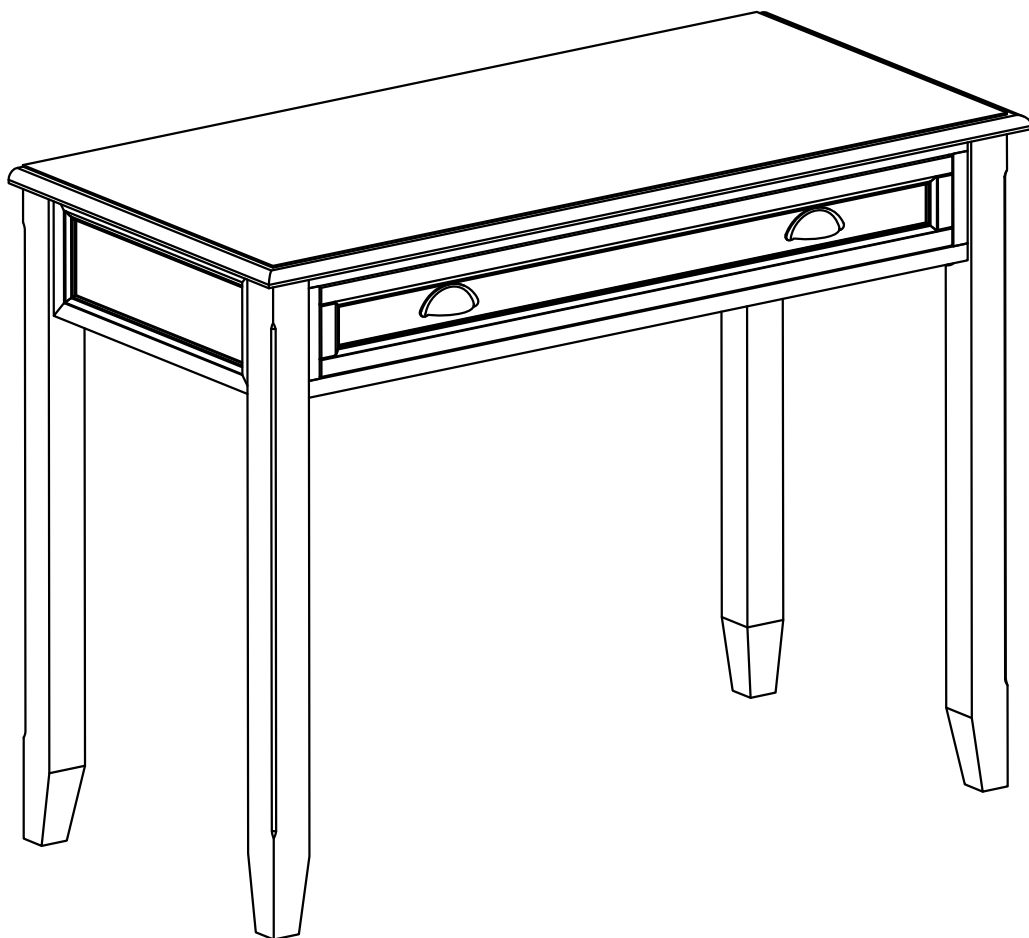
*WyndenHall™*  
HOME DECOR  
brooklyn + max™

**BURLINGTON / PORTLAND / BERKSHIRE**

---

**DESK**

MODEL # 3AXCBUR-007





## **DO NOT RETURN**

**FOR REPLACEMENT PARTS OR OTHER INQUIRIES**

**PLEASE CONTACT US AT:**

**[simpli-home.com/customer-support](https://www.simpli-home.com/customer-support)**

**PLEASE ENSURE TO HAVE THE MODEL #**

**FROM THE PACKAGING OR**

**INSTRUCTION BOOKLET**

**SIMPLI**<sup>™</sup>  
**H O M E**

Wynden Hall<sup>™</sup>  
HOME DECOR  
brooklyn + max<sup>™</sup>

**ENTER  
TO WIN**

**Upload an image of our furniture in your  
home with a short review to our  
facebook page and have a chance to**

**Win your choice of any one of  
Simpli Home furniture pieces  
Free!!!**

[www.facebook.com/simplihomefurnishings](http://www.facebook.com/simplihomefurnishings)

(draws monthly – shipping included)

(vanities not included)



**IMPORTANT** : Please read this manual carefully before beginning assembly of this product. Keep this manual for future reference.

## **SAFETY INFORMATION**

Identify all the parts and hardware. Do not discard of the packaging until you have checked that you have all of the parts and hardware required.

Hardware package may have spare parts.

**WARNING:** This item contains small parts which can be swallowed by children and pets. Keep children and pets away during assembly. To avoid danger of suffocation, always keep plastic bags away from children and pets. We recommend that you assemble this unit on a carpeted floor to avoid scratches. If using power tools, set the tool to low torque to avoid damage.

**May require 2 people for ease of assembly.**

## **CARE and MAINTENANCE**

To clean, use a soft or slightly damp cloth, then wipe with a clean, dry cloth. Dust with soft dry cloth.

Do not use ammonia-based cleaning products, as they will damage the finish. Do not leave liquids or damp cloths on this furniture.

To avoid dulling of the finish, do not place furniture in direct sunlight.

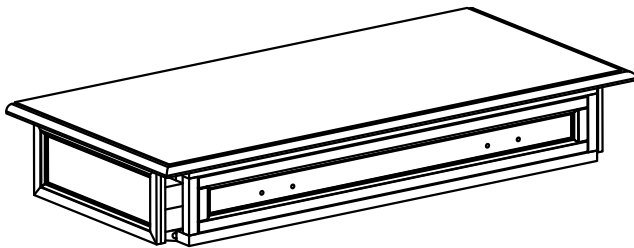
Please inspect and tighten all screws or bolts on a regular basis to ensure proper performance and safety of your item.

PRE-ASSEMBLY INFORMATION

MODEL # 3AXCBUR-007

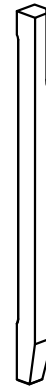
PART DESCRIPTION

A



TOP  
QTY 1

B



LEG  
QTY 4

PRE-ASSEMBLY INFORMATION

MODEL # 3AXCBUR-007

HARDWARE DESCRIPTION

1



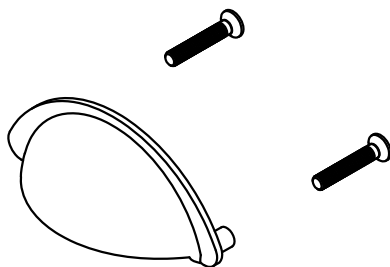
BOLTS AND WASHERS  
M6 x 80 mm  
QTY 8 SETS

2

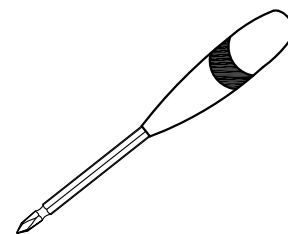


ALLEN KEY  
QTY 1

3

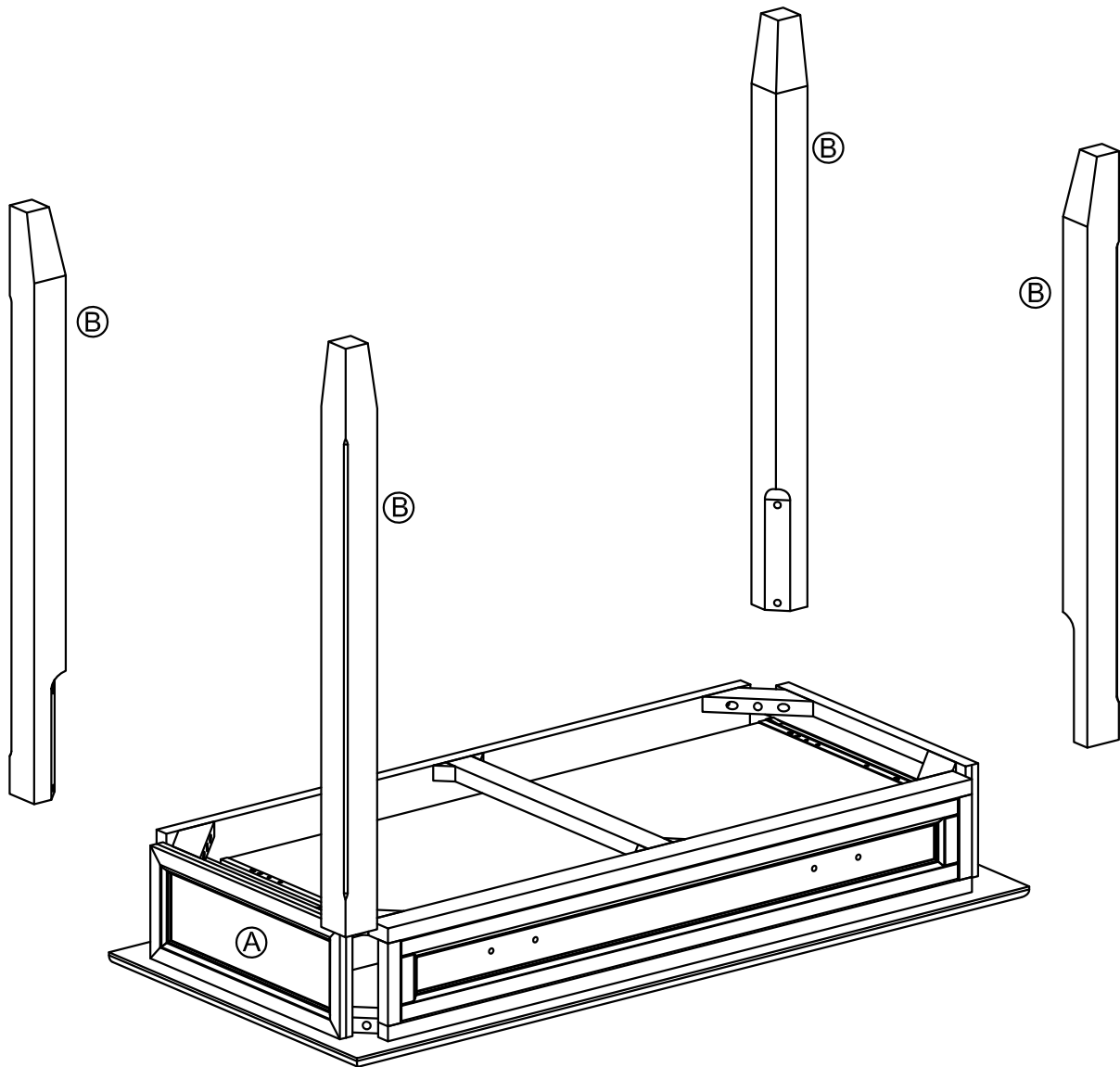


HANDLE  
QTY 3 SETS

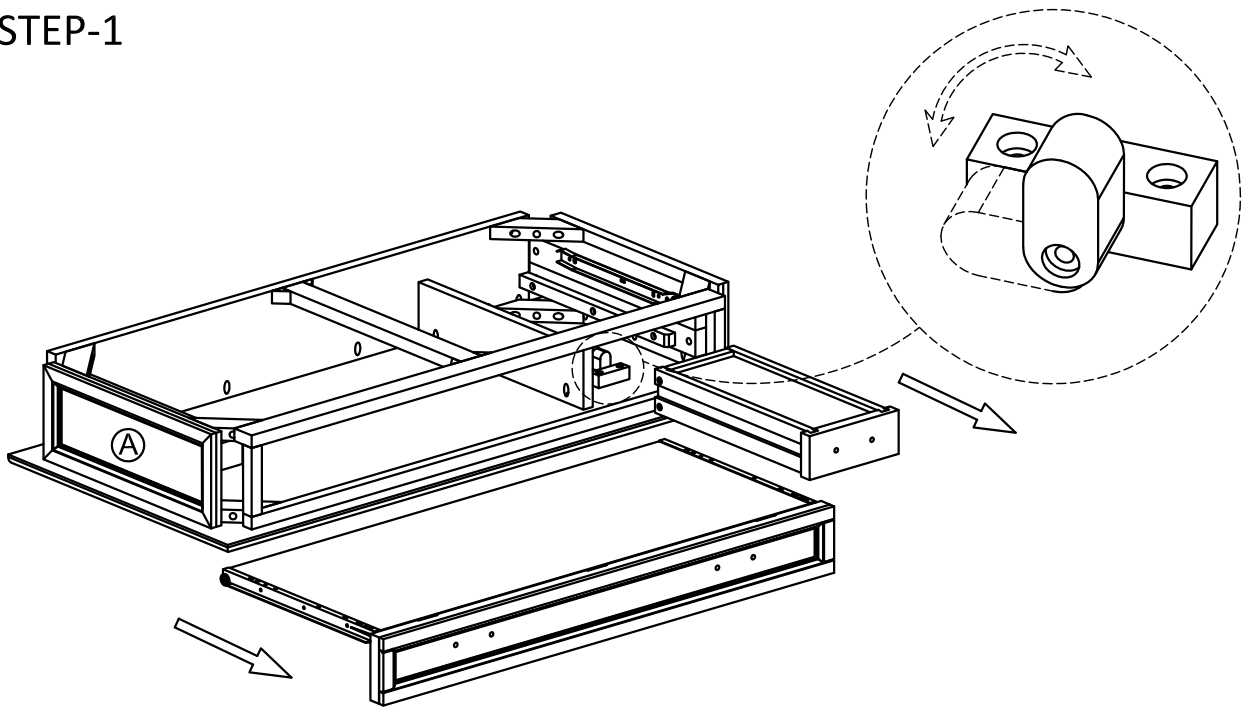


Required -  
Phillips screwdriver  
**Not Included**

**NEED HELP?** For help with assembly or if you are missing a part,  
Please call customer service at 1-866-518-0120 ext. 262 (9 am to 5 pm EST)

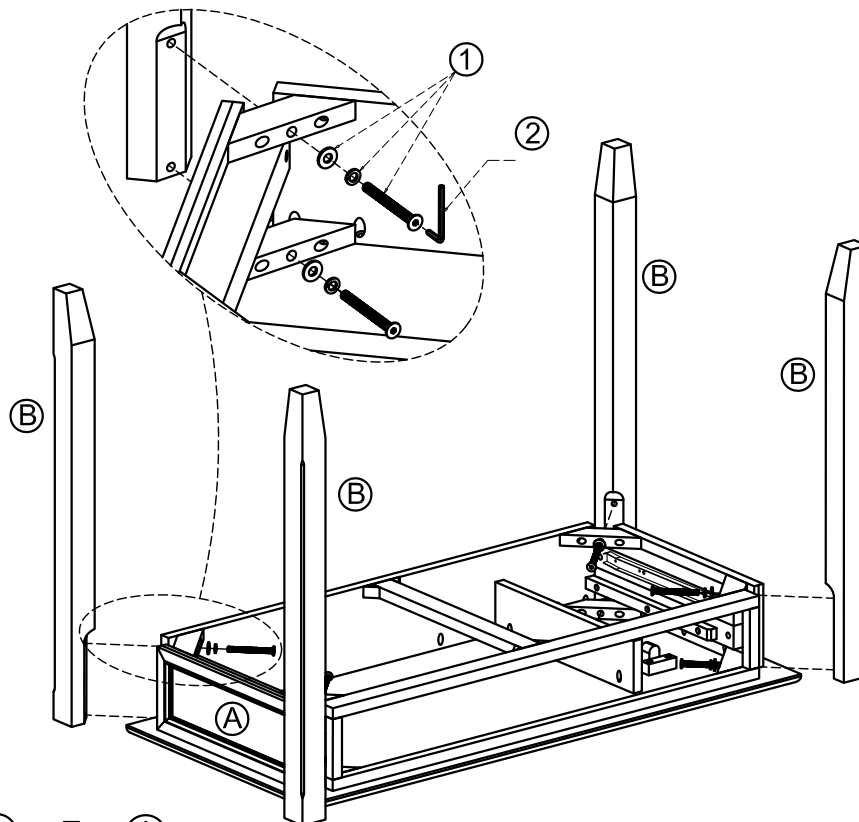


## STEP-1



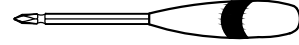
1. Ensure the Wood Lock ( attached on the Top ) is parallel to the frame.
2. Remove Drawer and Keyboard Shelf from to compartment.

## STEP-2

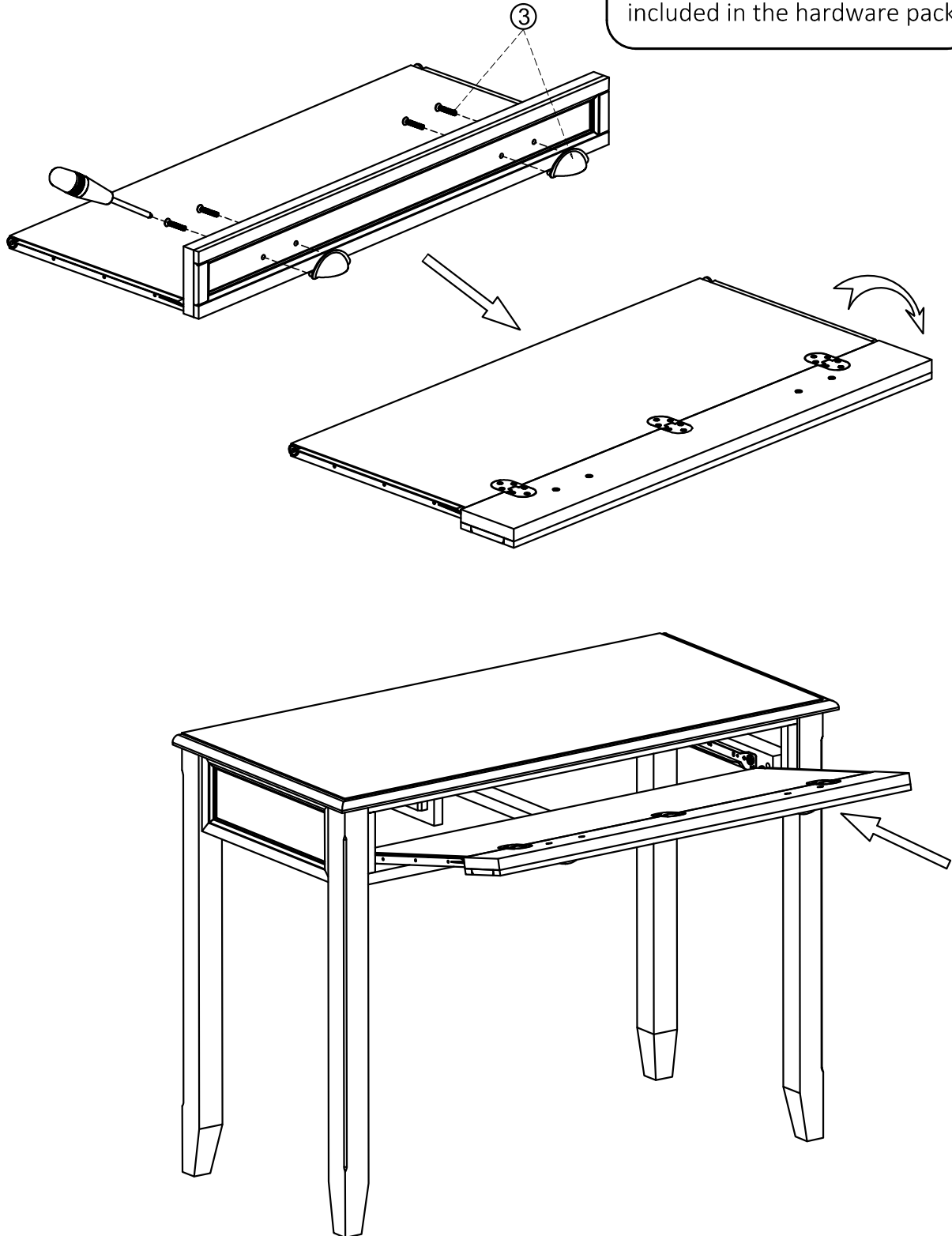


1. Attach Legs (B) to Top (A).
2. Use 8 sets Bolts and Washers (1) to secure part (A) and (B) (2 sets on each Leg).
3. Use Allen Key (2) to tighten Allen Key Bolts. Do not over-tighten.

## STEP-3



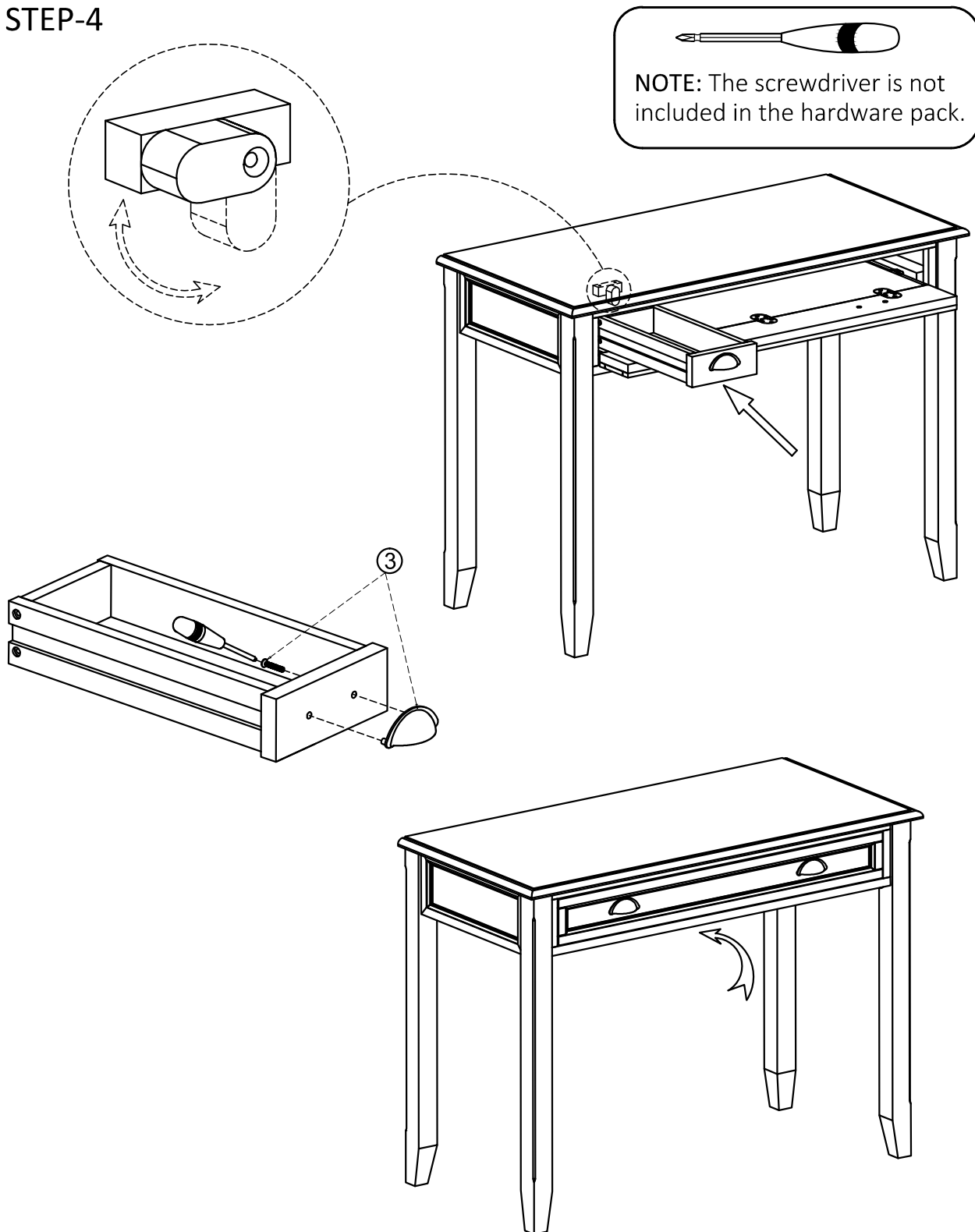
NOTE: The screwdriver is not included in the hardware pack.



1. Use Phillips screwdriver to attach Handle ③ to Tray Front.
2. Insert Keyboard Shelf into Top Compartment.



## STEP-4



1. Use Phillips screwdriver to attach Handle ③ to Drawer Front.
2. Insert the Drawers into Top Compartment.
3. Turn the wood lock (on the bottom frame) to be perpendicular to the frame for safety stop (intended to keep the drawers from pulling all the way out).



## WARRANTY

Thank you for purchasing a **Simpli Home – Wyndenhall – Brooklyn + Max** product. These products have been made to demanding, high-quality standards and are guaranteed for domestic use against manufacturing faults for a period of 12 months from the date of purchase. This warranty does not affect your statutory rights.

In case of any malfunction of your product (failure, missing parts, etc.) please contact us at our toll free service line at 1-866-518-0120 ext. 262 from 9 am to 5 pm, Monday to Friday, Eastern Standard Time or by email at [simpli-home.com/customer-support](mailto:simpli-home.com/customer-support).

We reserve the right to repair or replace the defective product, at its discretion.

This product is guaranteed for 12 months if used for normal purposes. Any warranty is invalid if the product has been overloaded or subject to neglect, improper use or an attempted repair by other than an authorized agent. Heavy-duty or daily professional/commercial usage are not guaranteed.

Due to continuous product improvement, we reserve the right to change the product specifications without prior notice.

**PLEASE NOTE:** This item is hand-crafted and hand-finished with utmost care. As such, variations and imperfections should be expected and should be welcomed as the natural beauty of the wood.



## Question, problems, missing parts?

Before returning please email Customer Support at  
[simpli-home.com/customer-support](mailto:simpli-home.com/customer-support)

or call

Customer Service at 1-866-0518-0120 ext. 262  
Monday to Friday between 9 am – 5 pm EST

For more information visit us on our website  
[www.simpli-home.com](http://www.simpli-home.com)

Like us on facebook  
[www.facebook.com/simplihomefurnishings](http://www.facebook.com/simplihomefurnishings)