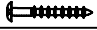



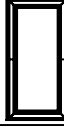
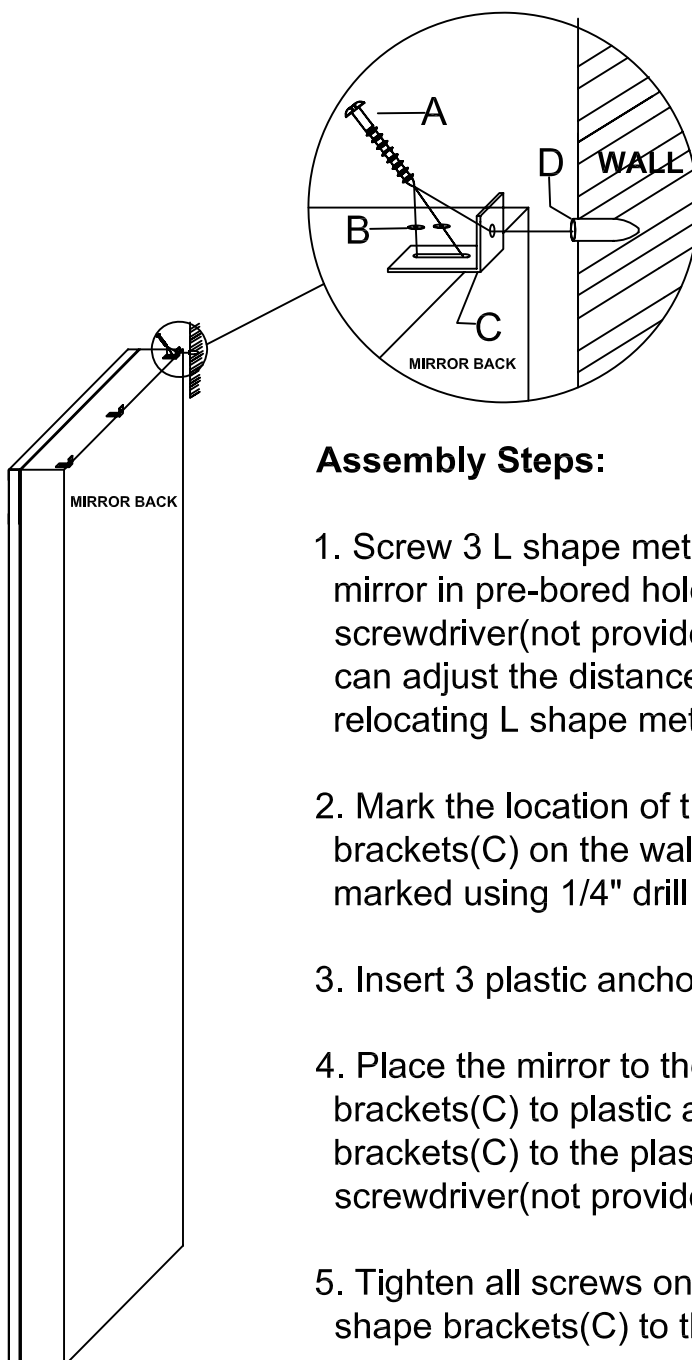


Thank you for purchasing this quality product. Be sure to unpack carefully looking for small parts which may have come loose during shipment.

Read all instruction and study the drawing carefully before starting the assembly process.

HARDWARE PACK				
NO.	DRAWING	DESCRIPTION	SIZE	Q'TY
A		Screw	1-1/4"	9 PCS
B		Flat Washer	Ø1/4"	6 PCS
C		L Shape Metal Bracket	75x30x38mm	3 PCS
D		Plastic Anchor	1-1/4"	3 PCS

PART LIST			
NO.	DRAWING	DESCRIPTION	Q'TY
①		McALister Floor Mirror w/ Jewelry Storage	1 PC



Assembly Steps:

1. Screw 3 L shape metal brackets(C) onto the top of the mirror in pre-bored holes using a phillips head screwdriver(not provided), screws(A), flat washers(B). You can adjust the distance between the mirror to the wall by relocating L shape metal brackets(C) as you need.
2. Mark the location of the screw holes of the L shape brackets(C) on the wall, drill 3 holes on the wall where you marked using 1/4" drill bit(not provided).
3. Insert 3 plastic anchors(D) into the holes.
4. Place the mirror to the wall, align the holes on the L shape brackets(C) to plastic anchors(D), screw the L Shape brackets(C) to the plastic anchors(D), using a phillips head screwdriver(not provided).
5. Tighten all screws on the top of the mirror after attaching L shape brackets(C) to the wall.