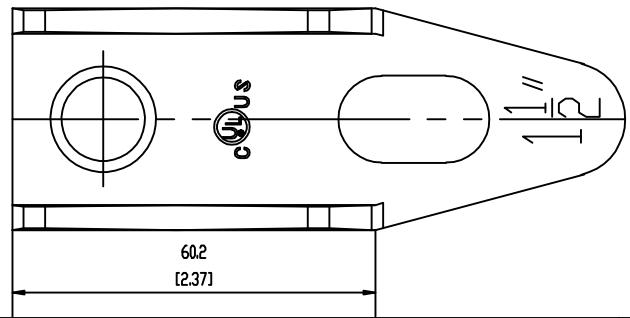
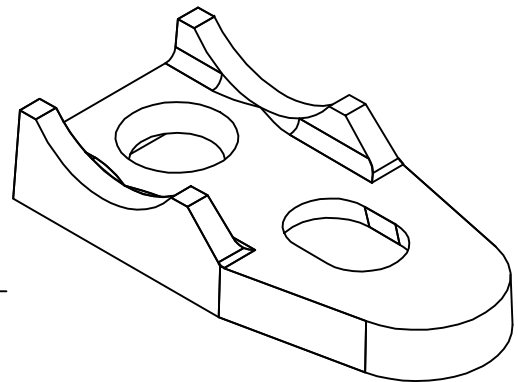
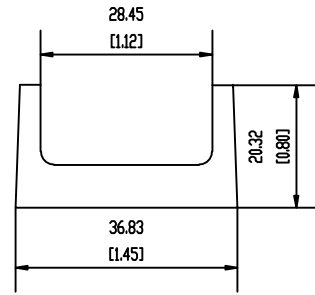
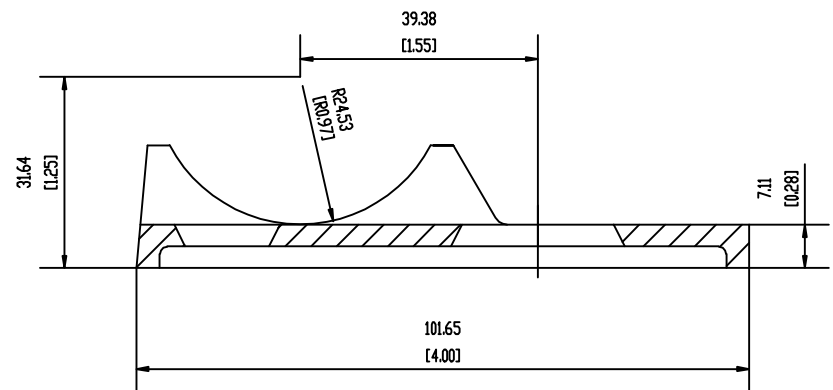
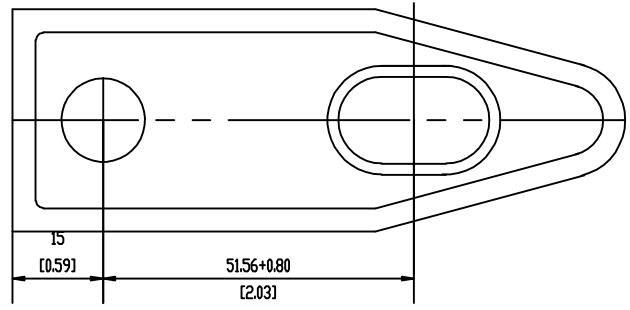


1 2 3 4 5 6 7

F
D
C
B
A

SIDES	BOTTOM
Material:	Malleable Iron



DESCRIPTION	STANDARD PACKING	GARVIN INDUSTRIES		
	25PCS	TITLE 1 1/2" Clamp Back Mall Spacer		
TRADE REFERENCE TERMS		SIZE A4	DWG NO. DS-CLB-150	REV A