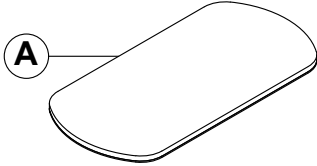


# DOHENY DINING TABLE ASSEMBLY INSTRUCTIONS

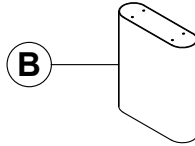


## PARTS / PACKAGING CONFIGURATIONS

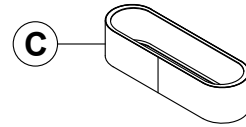
**BOX #1**  
**A. TABLE TOP 1PC**



**BOX #2**  
**B. LEG 2PCS**



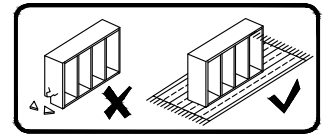
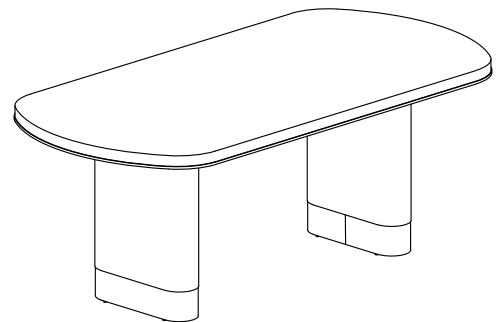
**C. LEG BASE 2PCS**



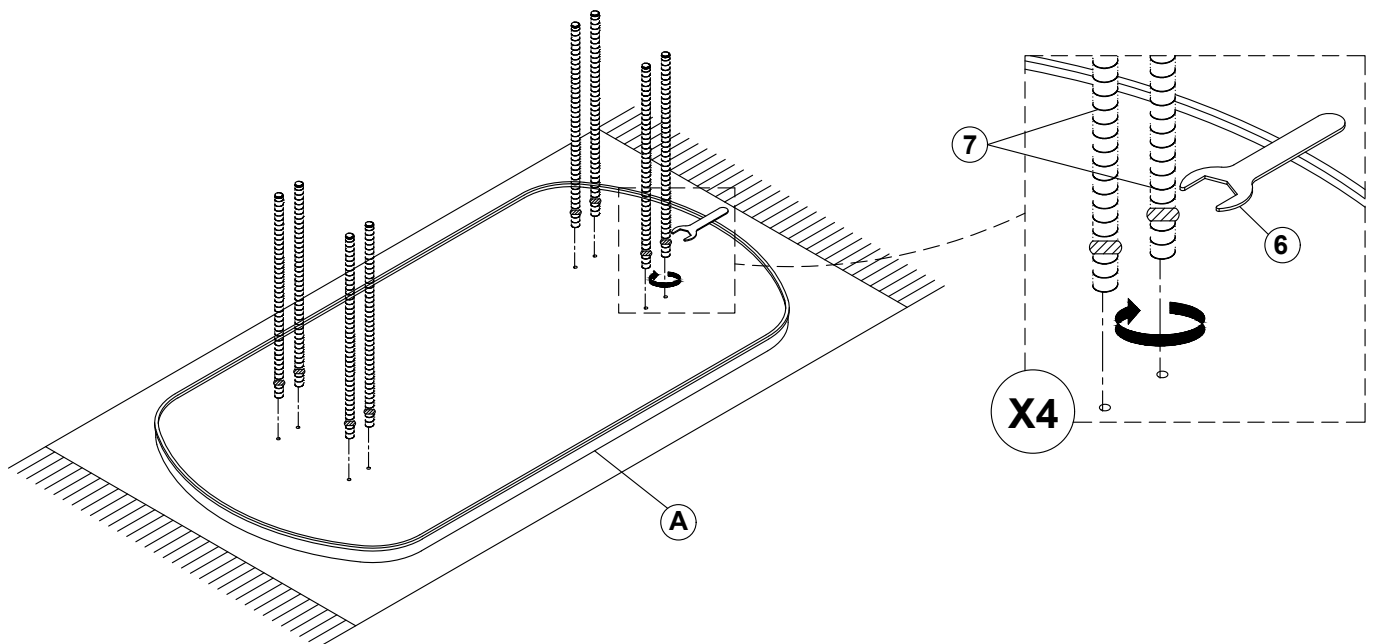
### HARDWARE KIT PACKED IN BOX 2

NO.	DESCRIPTION	IMAGE	QUANTITY
1	HEX NUT (M8)		8 PCS
2	SPRING WASHER (M8)		8 PCS
3	FLAT WASHER (M8)		8PCS
4	ALLEN KEY		1 PC
5	ALLEN KEY ADAPTER (M8)		1 PC
6	WRENCH (M8)		1 PC
7	THREADED BOLT (M8)		8PCS

### FULLY ASSEMBLED



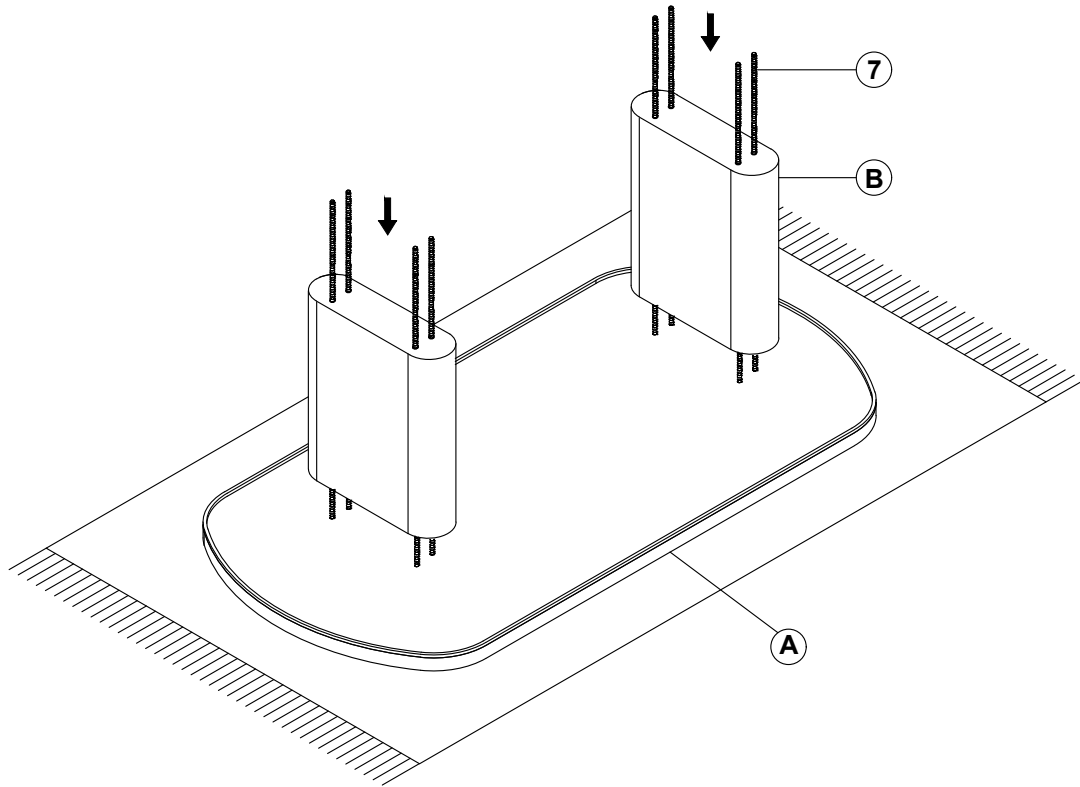
## STEP 1



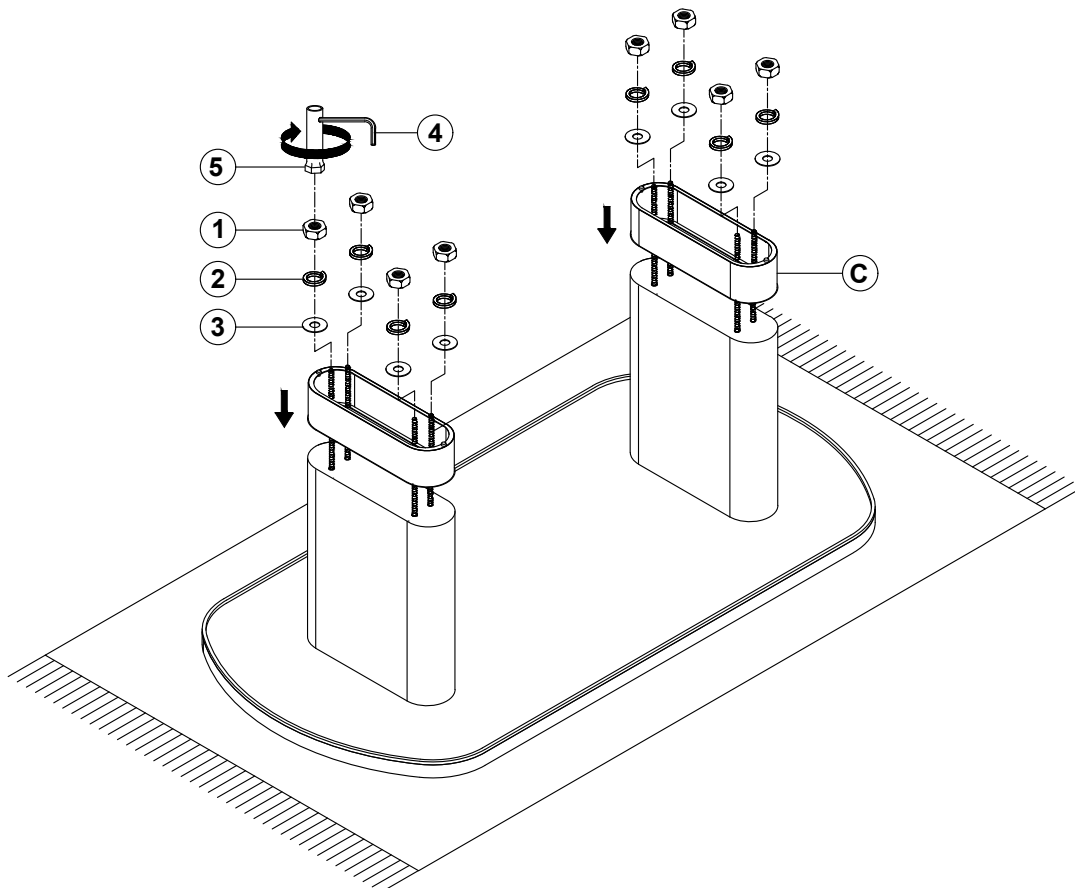
# DOHENY DINING TABLE ASSEMBLY INSTRUCTIONS



## STEP 2



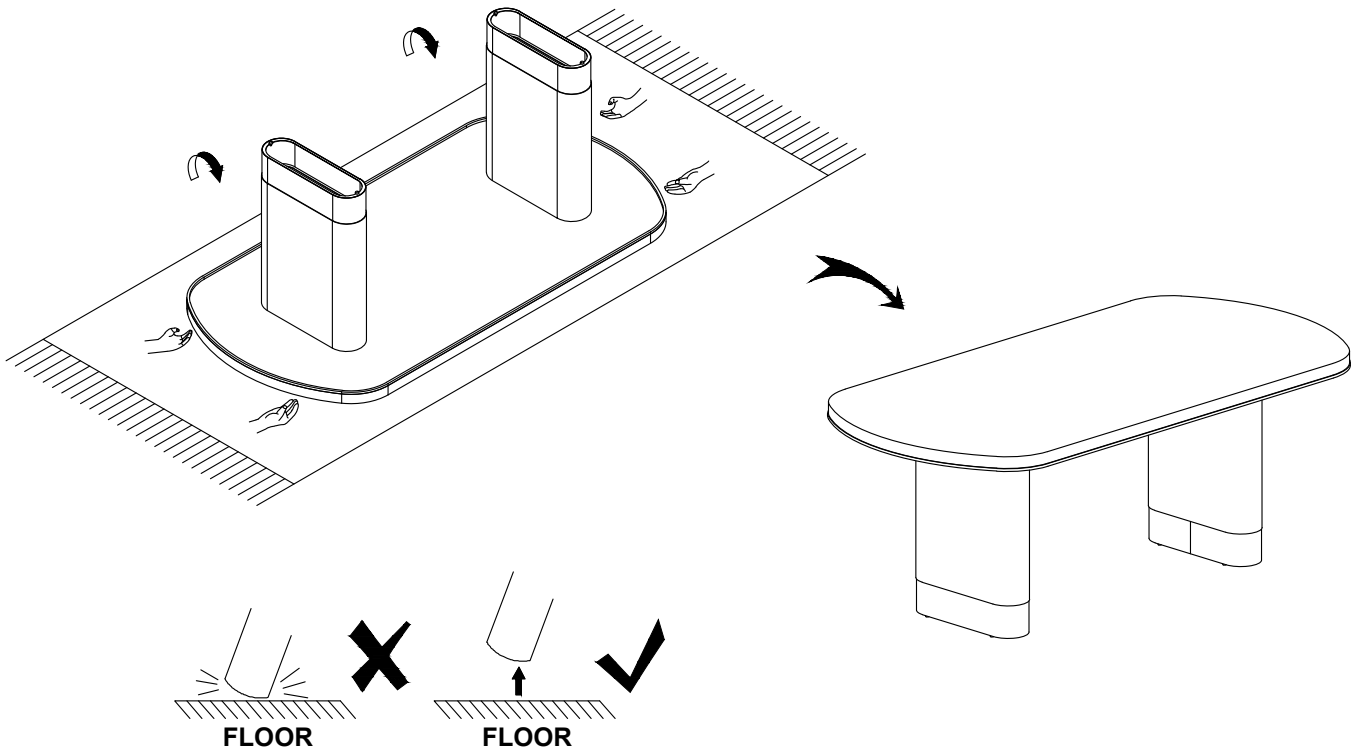
## STEP 3



# DOHENY DINING TABLE ASSEMBLY INSTRUCTIONS



## STEP 4



## ASSEMBLY COMPLETE

