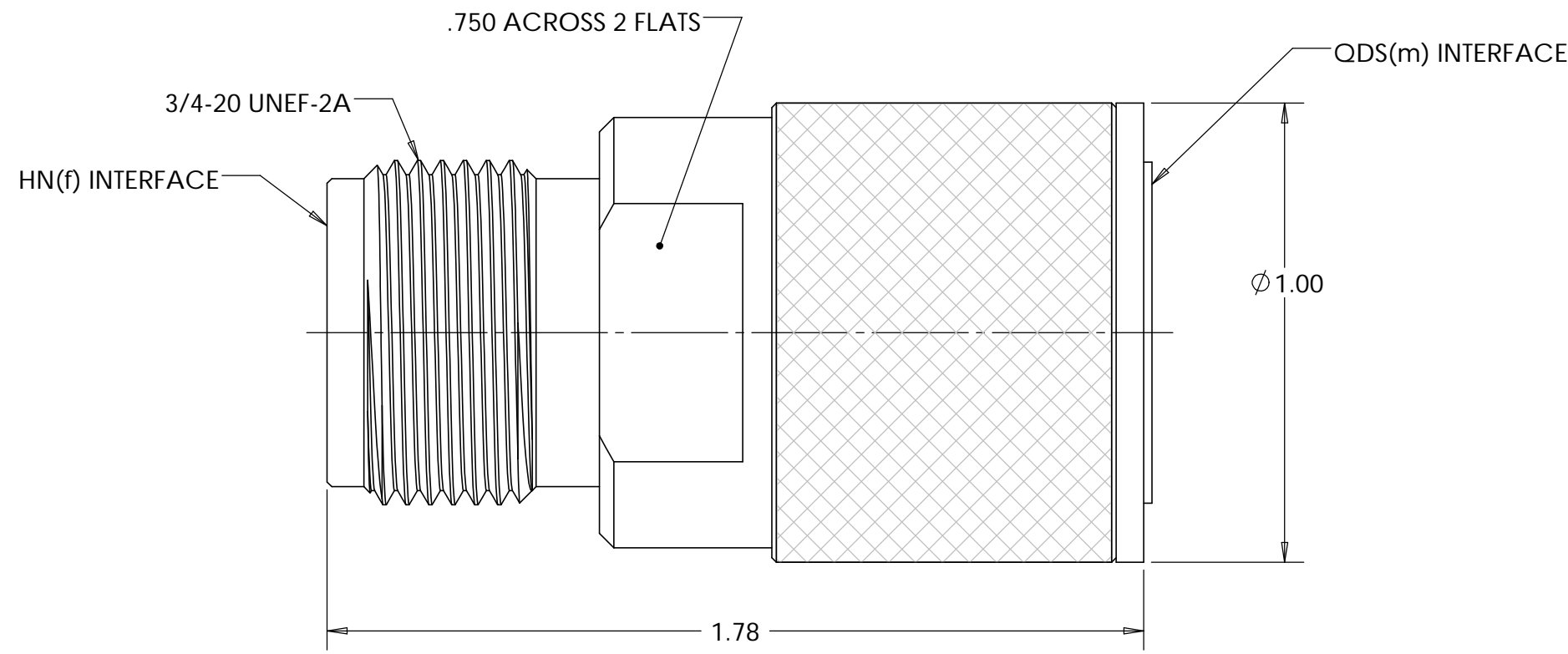


This document, including the design, configuration and mechanical features revealed herein are the sole, confidential and proprietary property of TRU Corporation. Reproduction or use thereof, in whole or part, is prohibited without the prior written consent of TRU Corporation.

REV.	DESCRIPTION	DATE	APPROVED
-	ORIGINAL ISSUE	4/29/98	RMK
A	CHANGED PER ECO 3392	1/28/08	DA


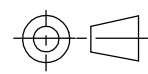


ENGINEERING DATA:

MATERIAL:
 INSULATORS: PTFE (TEFLON)
 CONTACT: BERYLLIUM COPPER
 CONTACT FINGERS: PHOSPHOR BRONZE
 OTHER METAL PARTS: BRASS

FINISH:
 CONTACT: SILVER PLATED
 OTHER METAL PARTS: NICKEL PLATED

NOTES:
 1. UNLESS OTHERWISE SPECIFIED; ALL DIMENSIONS ARE REFERENCE ONLY.

MATERIAL	DO NOT SCALE DRAWING	DRAWN DAC	DATE 4/29/98	 TRU CORPORATION 245 LYNNFIELD STREET, PEABODY, MA 01960 <i>The Custom Interconnect Leader™</i>	
	COMMENTS:	UNLESS OTHERWISE SPECIFIED: DIMENSIONS ARE IN INCHES	ENG APPR. Koch		DATE 4/29/98
surface area: sq inch		weight: lbs	TOLERANCES: FRACTIONS: ±1/64 .XX : ±.01 .XXX: ±.005 ANGLES: ±1/2° MACHINED SURFACES:		TITLE: CONNECTOR, COAXIAL, RF HN(f) to QDS(m) ADAPTER, STRAIGHT
	63/		THIRD ANGLE PROJECTION 	SIZE B	
		CAGE CODE: 92180		SCALE: 3:1	SHEET 1 OF 1