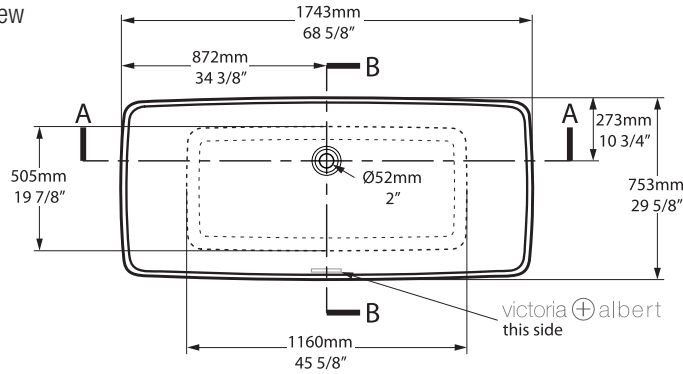


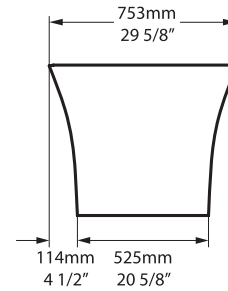
# Ravello Freestanding Bathtub

RAV-N-SW-NO / RAV-N-SW-OF

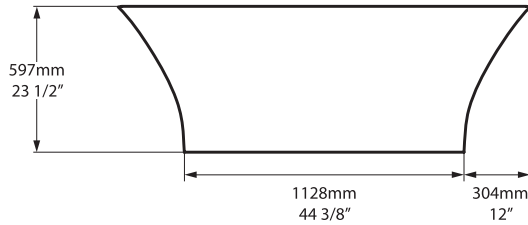
Top view



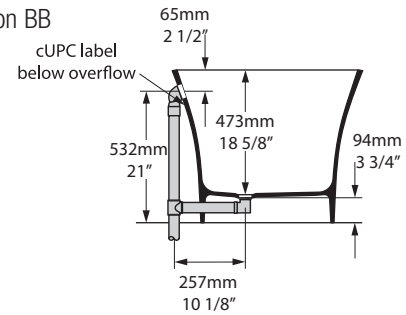
Front view



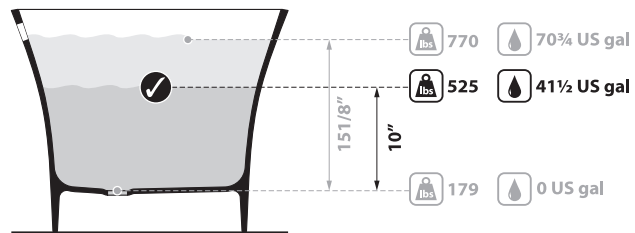
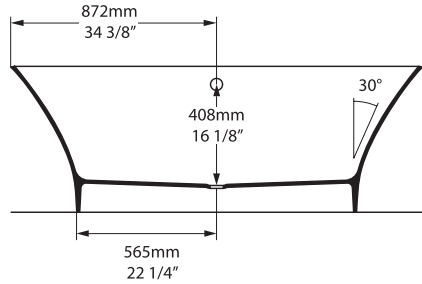
Side view



Section BB



Section AA



BV-2.1\_0056

Recommended drains: K-40E-xx / K-70-xx / K-50-xx

Drain Void: Features a void space underneath the bathtub for drain plumbing.

Note: K-36E/K-40E drains must be installed using all tools and washers included; do not use plumbers putty or silicone in the place of washers provided

- All measurements subject to +/-5% tolerance
- NO = no overflow hole
- OF = overflow hole

**25**  
years

25 year warranty for residential use (unpainted product)  
Garantie de 25 ans pour un utilisatio résidentiel (produit non peint)  
Garantía de 25 años para uso domestico (productos no pintados)

**5**  
years

5 year warranty on drains  
Garantie de 5 ans sur les drains  
Garantía de 5 años para los drenajes

**8**  
years

8 year warranty for commercial use (unpainted product)  
Garantie de 8 ans pour un usage commercial (produit non peint)  
Garantía de 8 años para uso comercial (productos no pintados)

**2**  
years

2 year warranty on painted exterior  
Pour les finitions extérieures peintes la garantie est de 2 ans  
Acabados de pintura exterior tienen una garantía de 2 años



Massachusetts Code: Approved  
cUPC listing by IAPMO: File No. 6574

