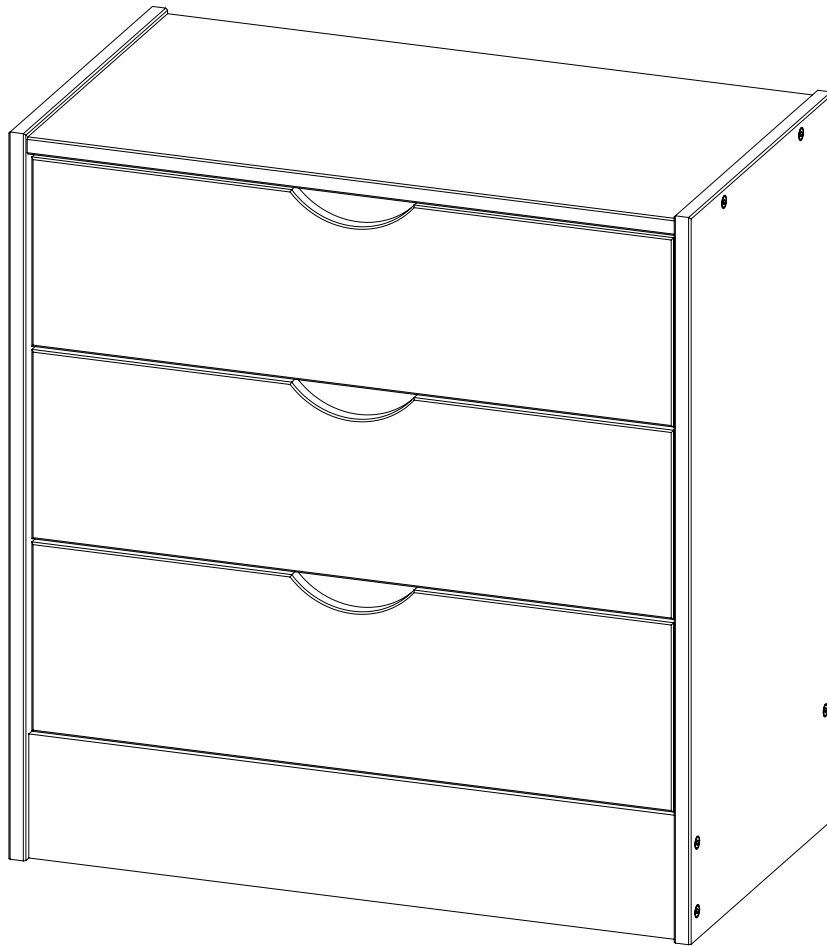


WALKER EDISON
TM

Declan 3-Drawer Solid Wood Chest

SKU# WMDCL023D4



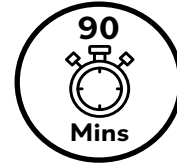
For Residential Use Only

Please visit our website for the most current instructions, assembly tips, report damage, or request parts. www.walkeredison.com

WE Time to get started

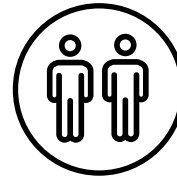
Set up a clean and soft workplace to get started and avoid damage during the assembly. It also helps to double-check you've got all the pieces and parts before diving in to assembly.

Estimated time for assembly



People recommended for assembly

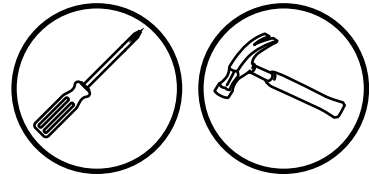
Make it a team effort! Grab a friend for quicker, easier assembly.



2 People Build

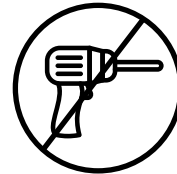
Tools Needed

Grab a Phillips head screwdriver to conquer this assembly. We will also need a hammer to help.



Use power tools with caution

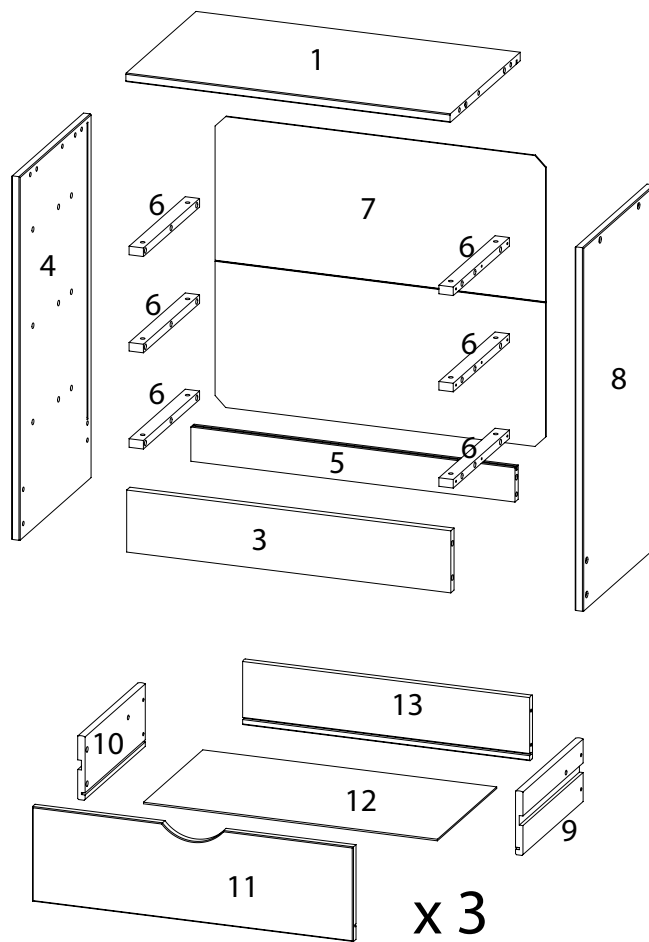
You can cause cracking or damage to the material and easily strip the hardware. If you choose to use a power tool, your product will no longer be covered under Walker Edison's warranty.



Scan to get assembly tips and help!

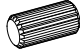
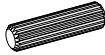
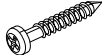

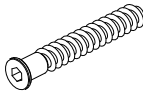

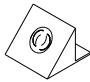

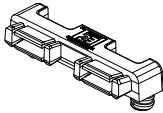
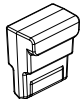

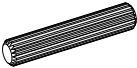
WE Parts List

Part Number	Description	Quantity
1	Top panel	1
3	Foot front rail	1
4	Left side panel	1
5	Back rail	1
6	Wood slider	6
7	Back panel	1
8	Right side panel	1
9	Right drawer side	3
10	Left drawer side	3
11	Drawer front	3
12	Drawer bottom	3
13	Drawer back	3





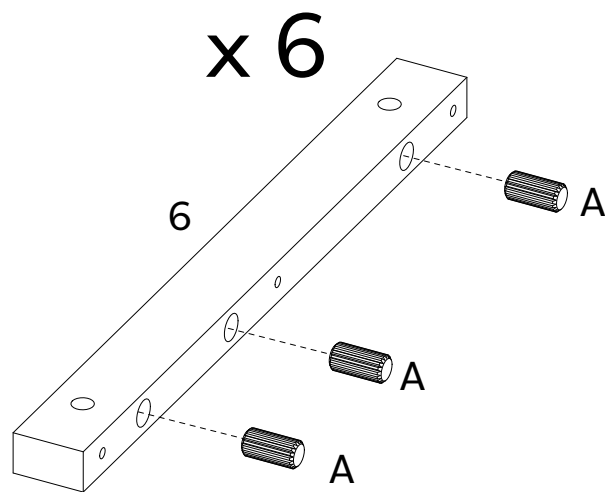
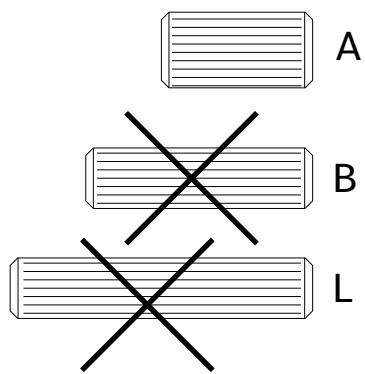
Hardware List

Part	Size	Name	Quantity
A	 10x20mm	Wooden dowel	18
B	 8x30mm	Wooden dowel	14
C	 4x25mm	Screw	18
D	 15mm	Plastic foot	4
E	 7x50mm	Screw	10
F		Hex key	1
G	 14x14mm	Support	12
H	 3,5x16mm	Screw	12
I		Dovetail	6
J		Dovetail lock	12
K		Plastic screw	12
L	 8x40mm	Wooden dowel	6

*The hardware quantities listed above are required for proper assembly.
Extra hardware pieces may be included.*

Step 1

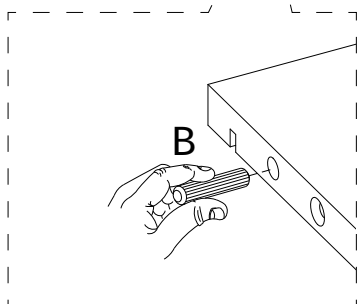
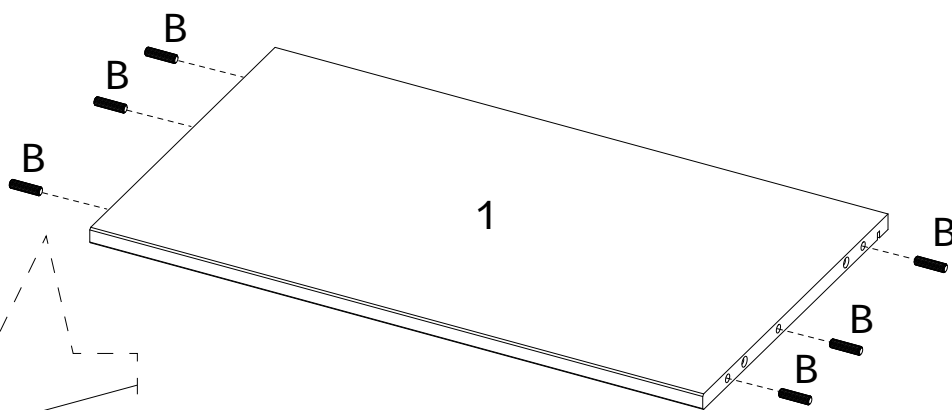
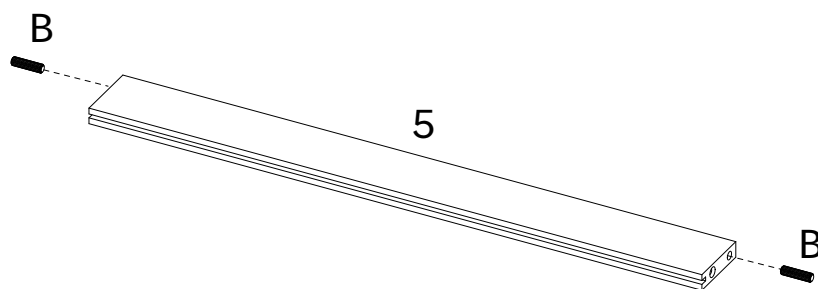
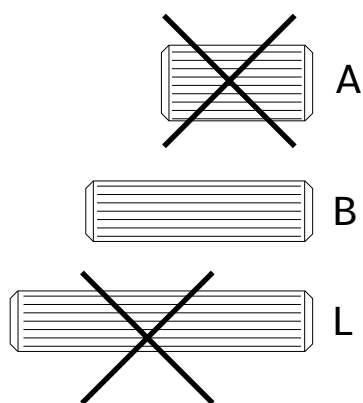
Let's get started, shall we? Start by inserting all Wooden dowels (A) 20mm into the Wood sliders (6) x6.



Step 2

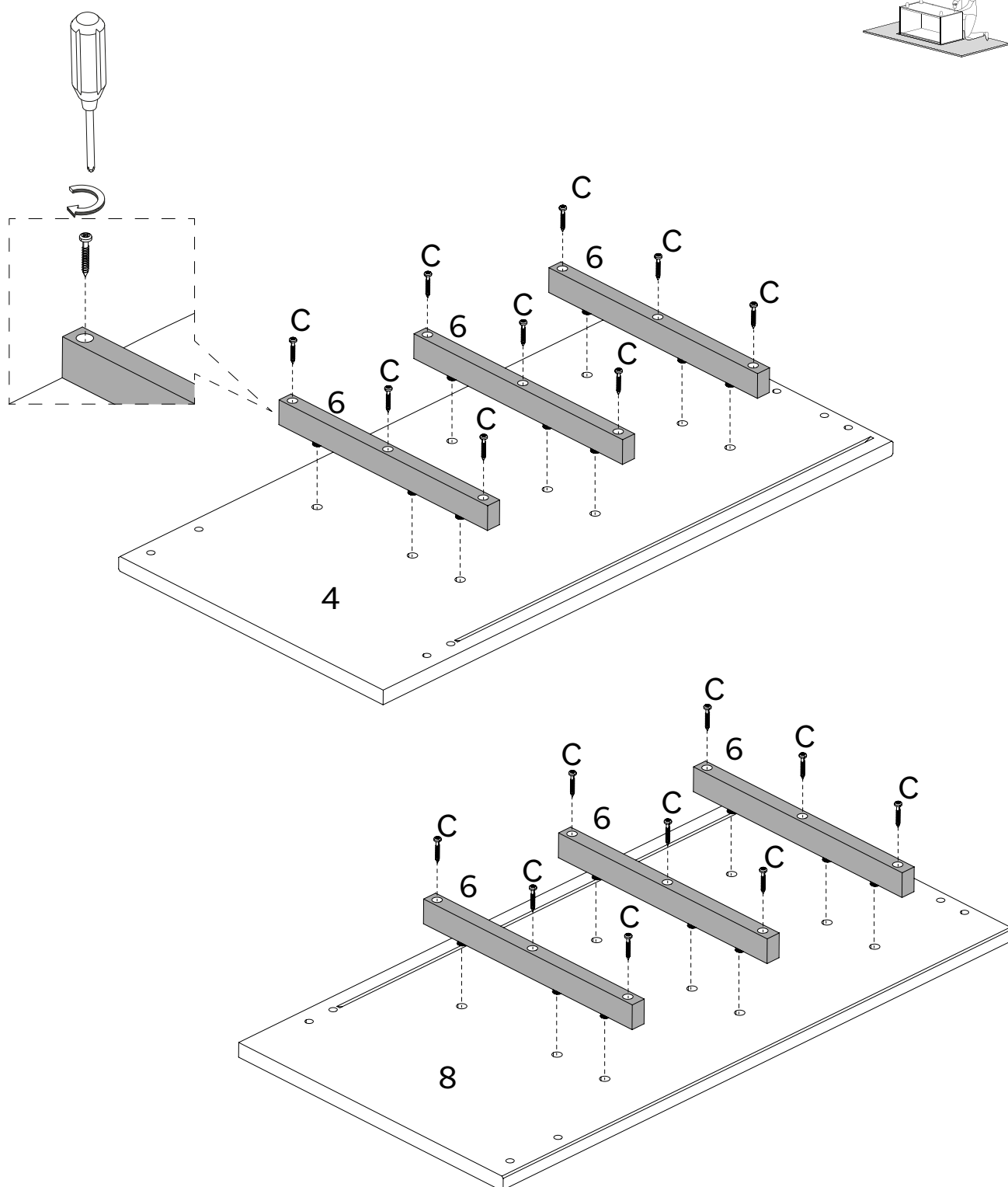
Then also insert 8 Wooden dowels (B) 30mm into the Top panel (1), and Back rail (5).

Please assemble on a clean soft surface to avoid damage.



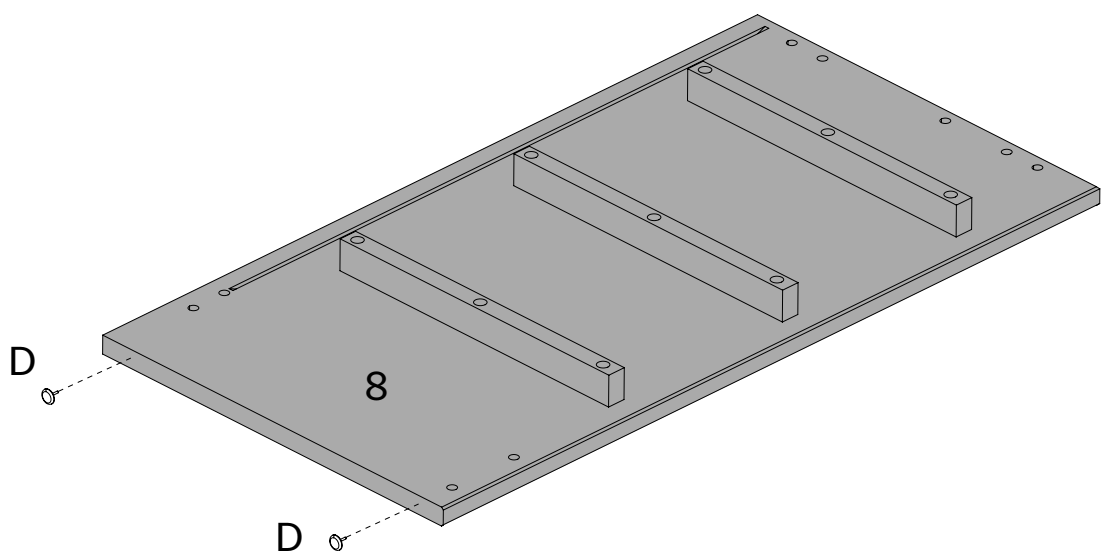
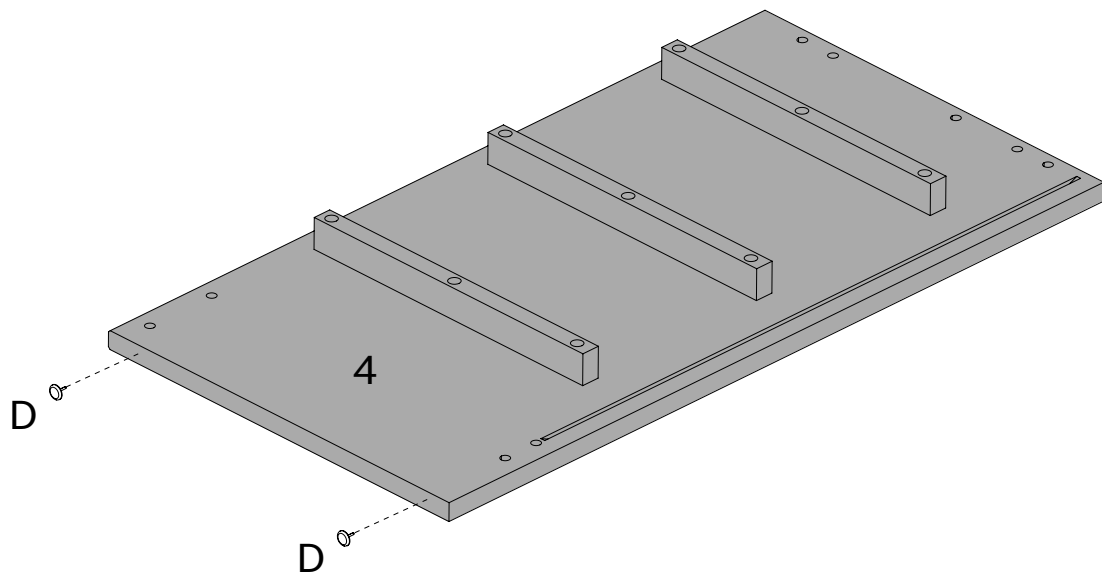
Step 3

Now we will fix the Wood sliders (6) x6 on the Left side panel (4) and Right side panel (8) with 18 Screws (C) 25mm and Phillips head screwdriver.



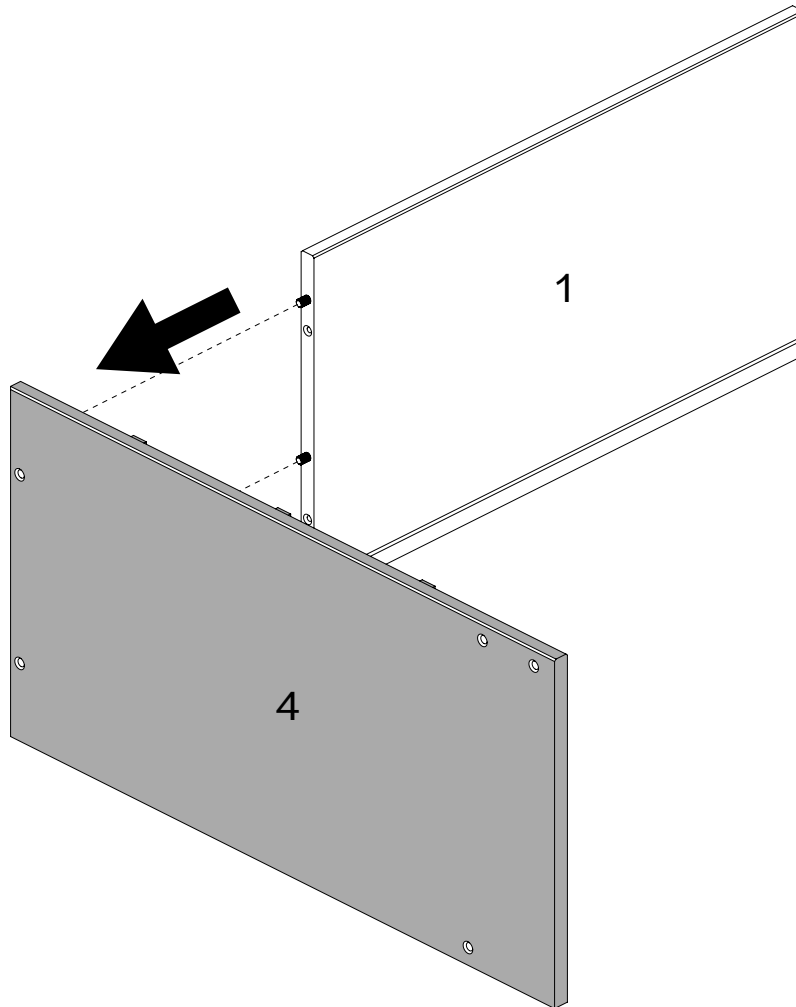
Step 4

It is important to secure the all Plastic foots (D) on the Left side panel (4) and Right side panel (8).
Use a hammer if necessary.



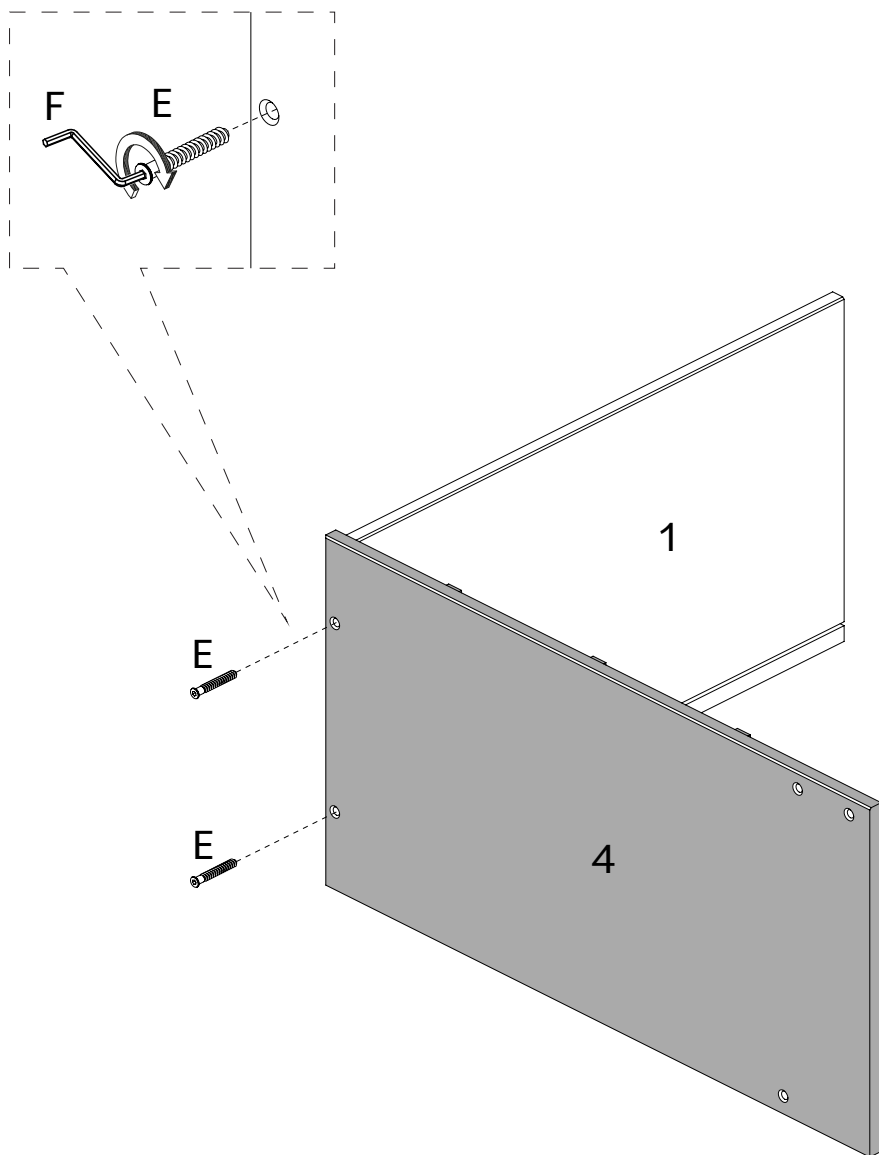
Step 5

Fit the Top panel (1) into Left side panel(4).



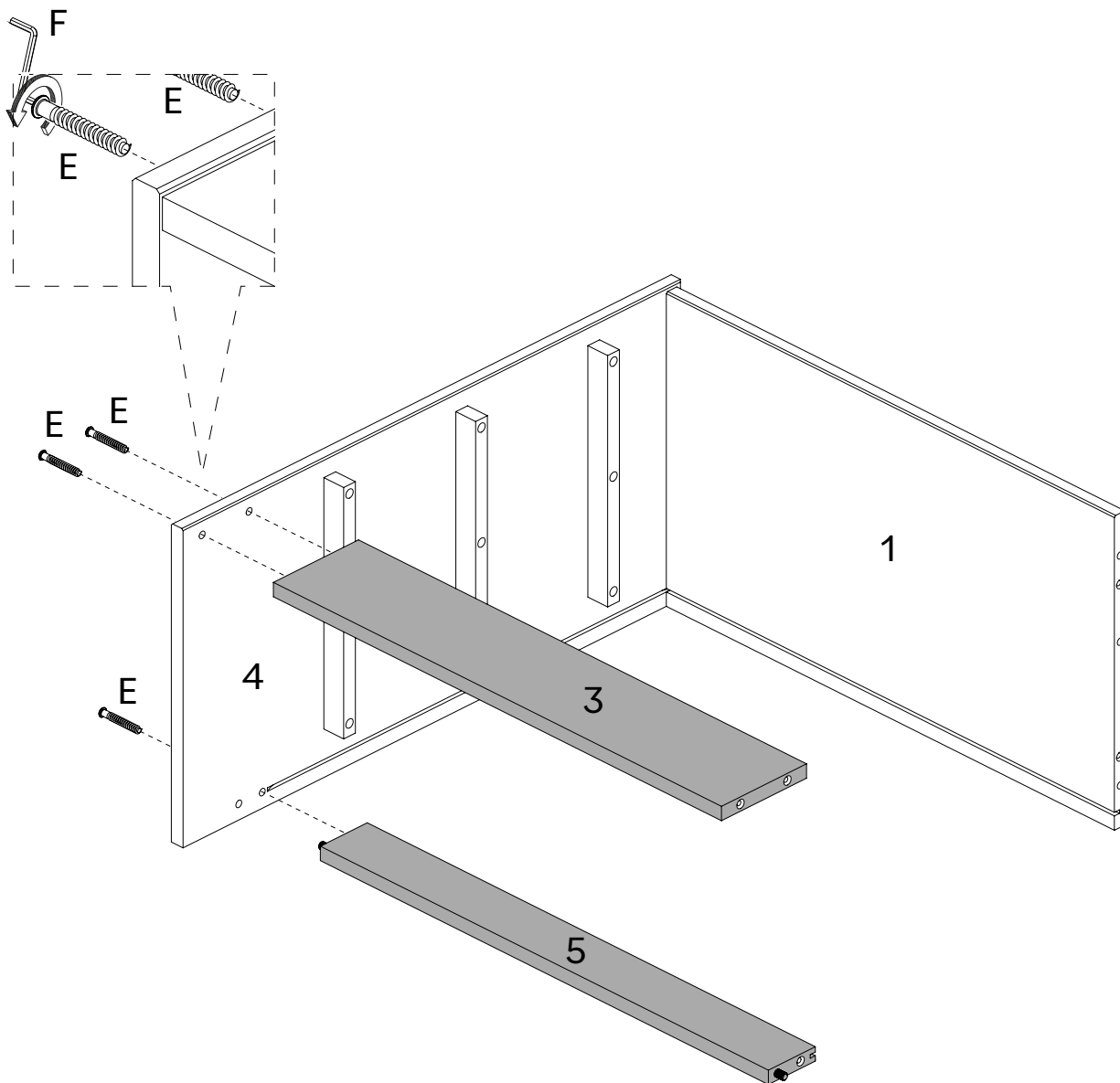
Step 6

Now fix Top panel (1) into Left side panel (4) with Screws (E) x 2 and Hex key (F).



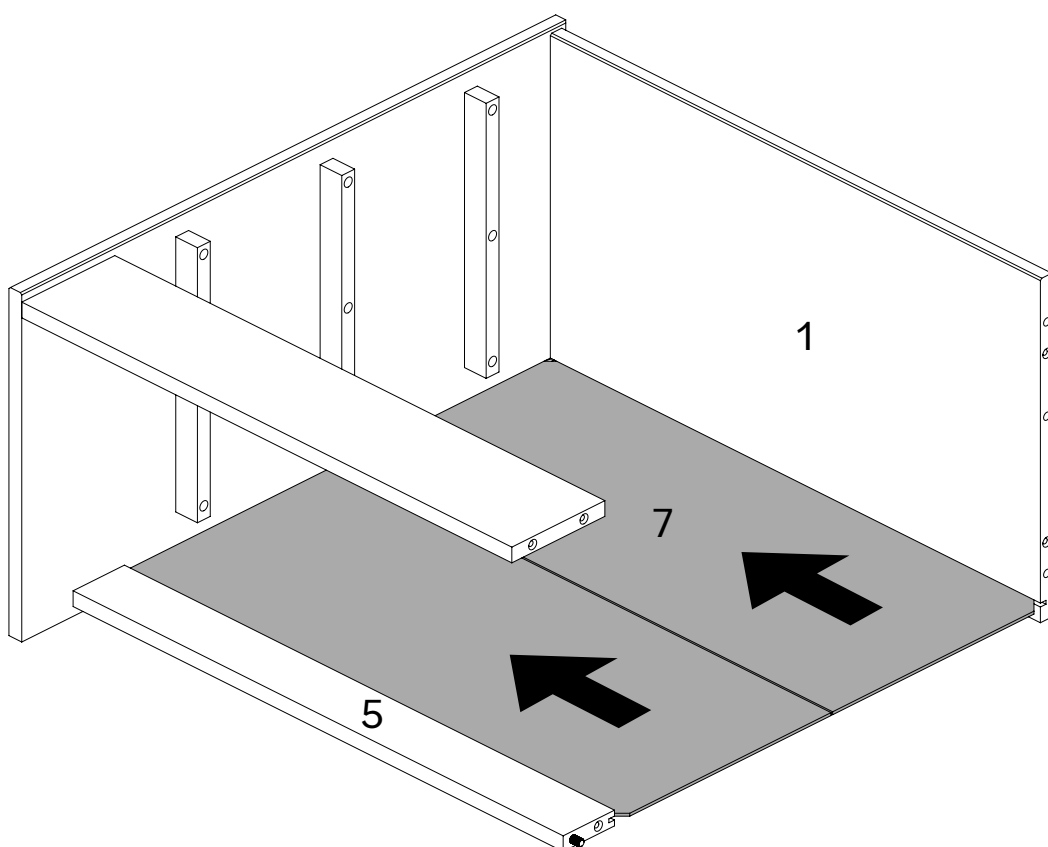
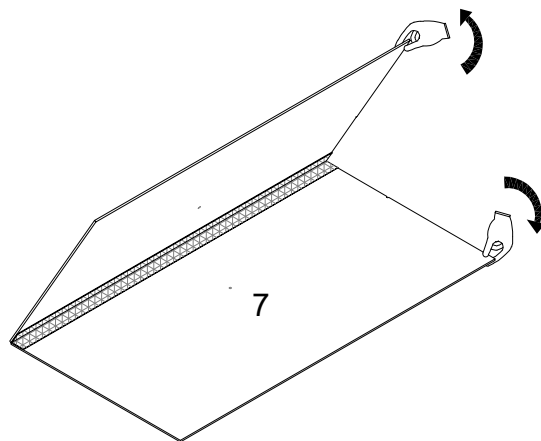
Step 7

Fix the Foot front rail (3) and Back rail (5) to Left side panel (4) using Screws (E) x 3 and Hex key(F).



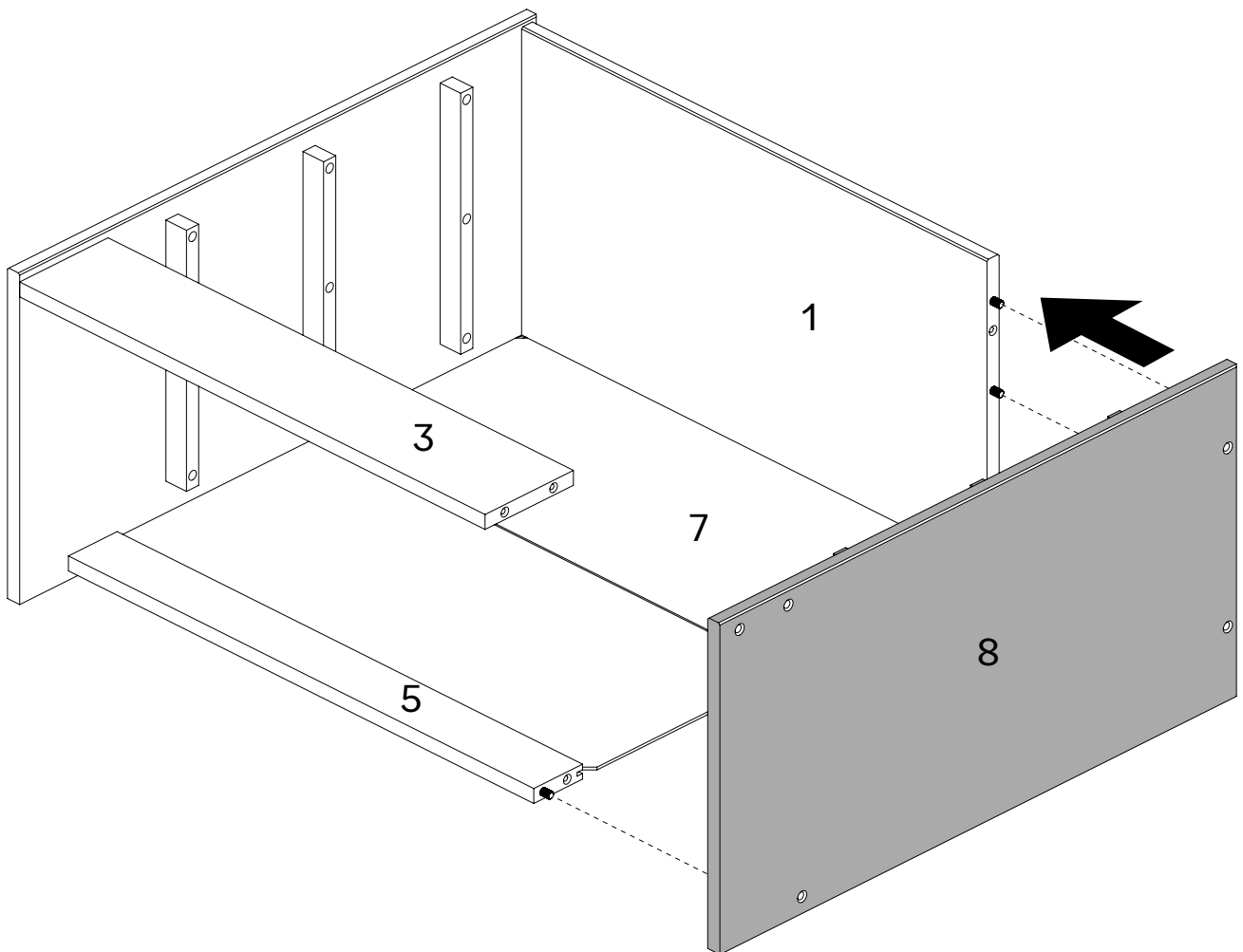
Step 8

Unfold the Back panel (7) and insert between the grooves of Top panel (1) and Back rail (5).



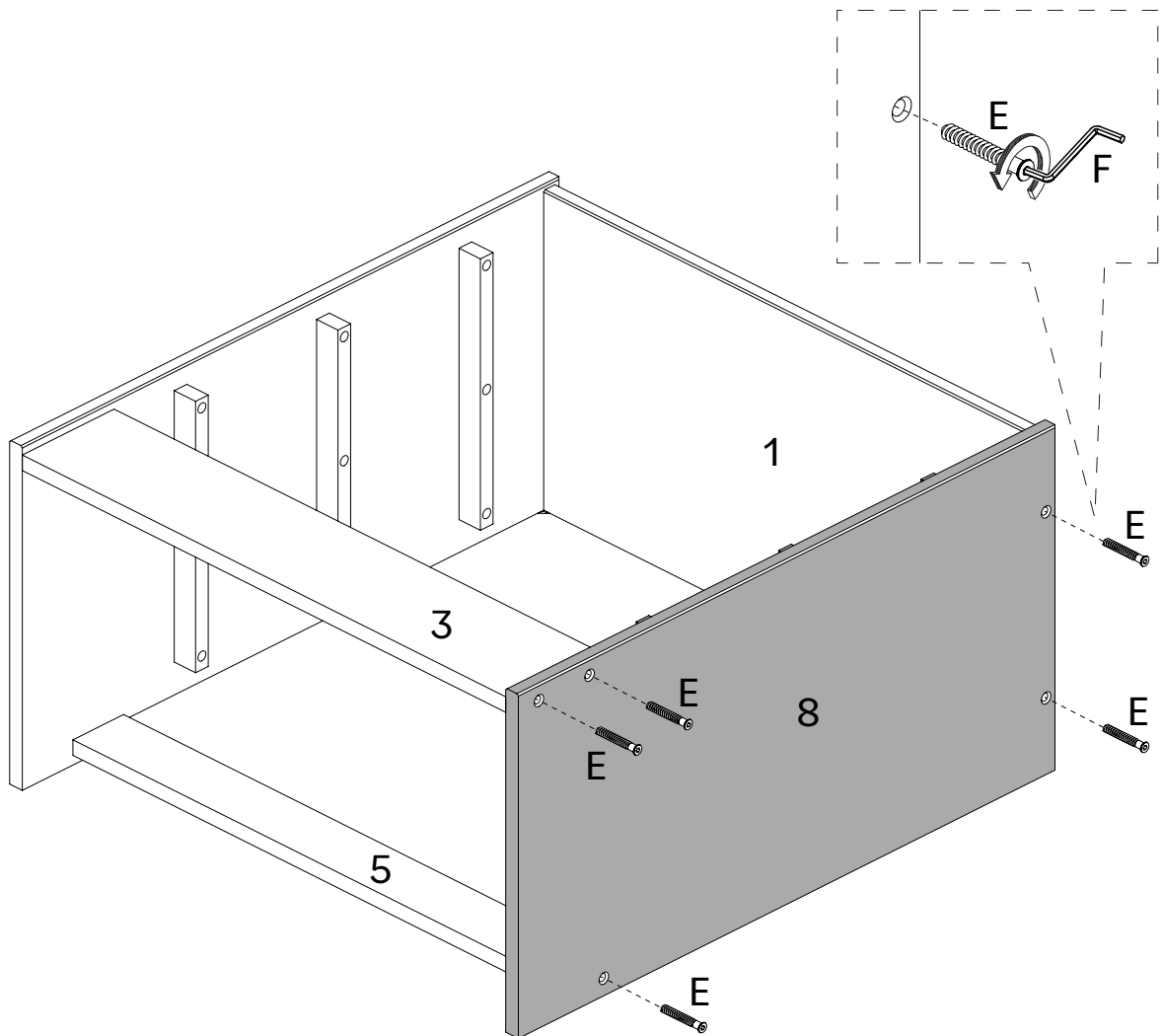
Step 9

Fit the Right side panel(8) into Top panel(1), Foot front rail (3), Back panel (7) and Back rail (5).



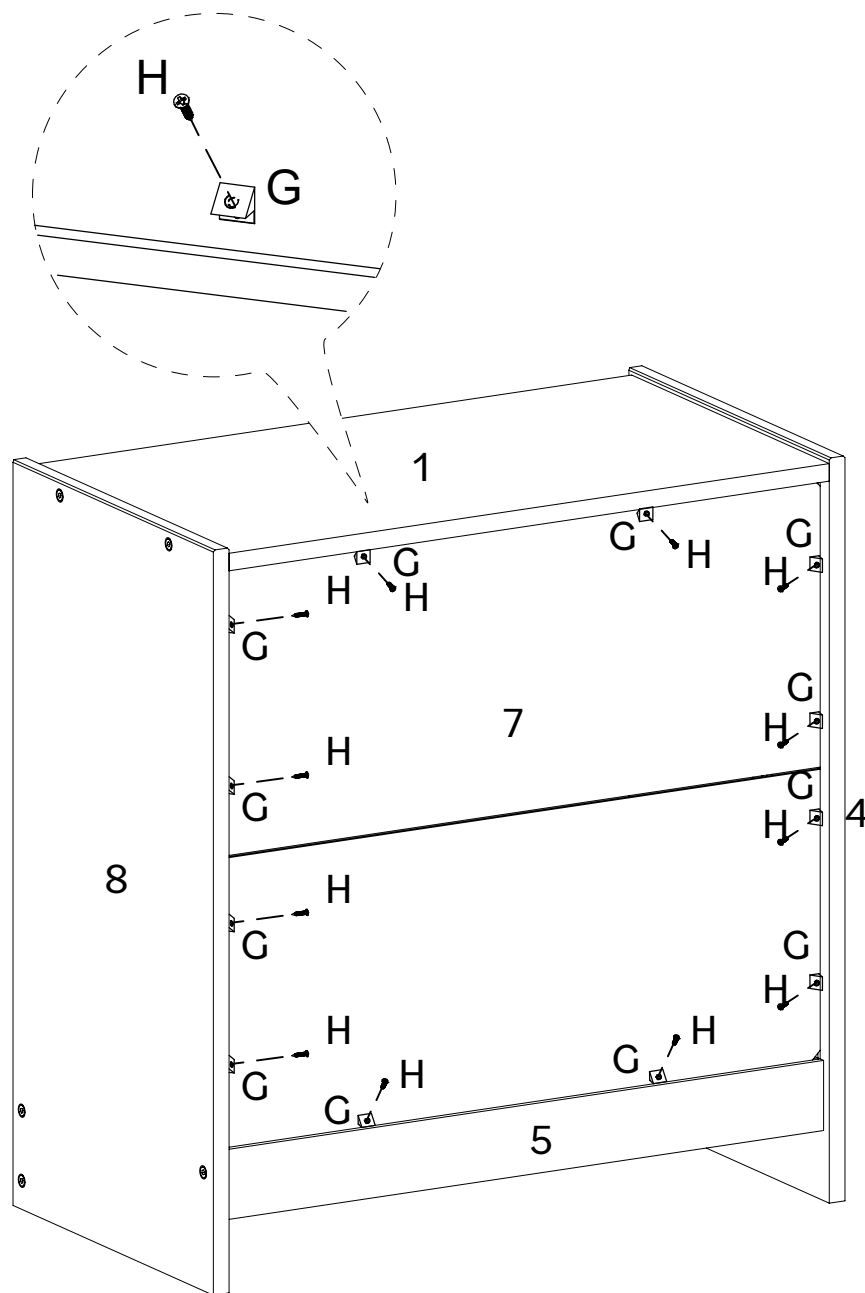
Step 10

Fix the Right side panel (8) to Foot front rail (3), Back rail (5) and Top panel (1) using Screws (E) x 5 and Hex key (F).



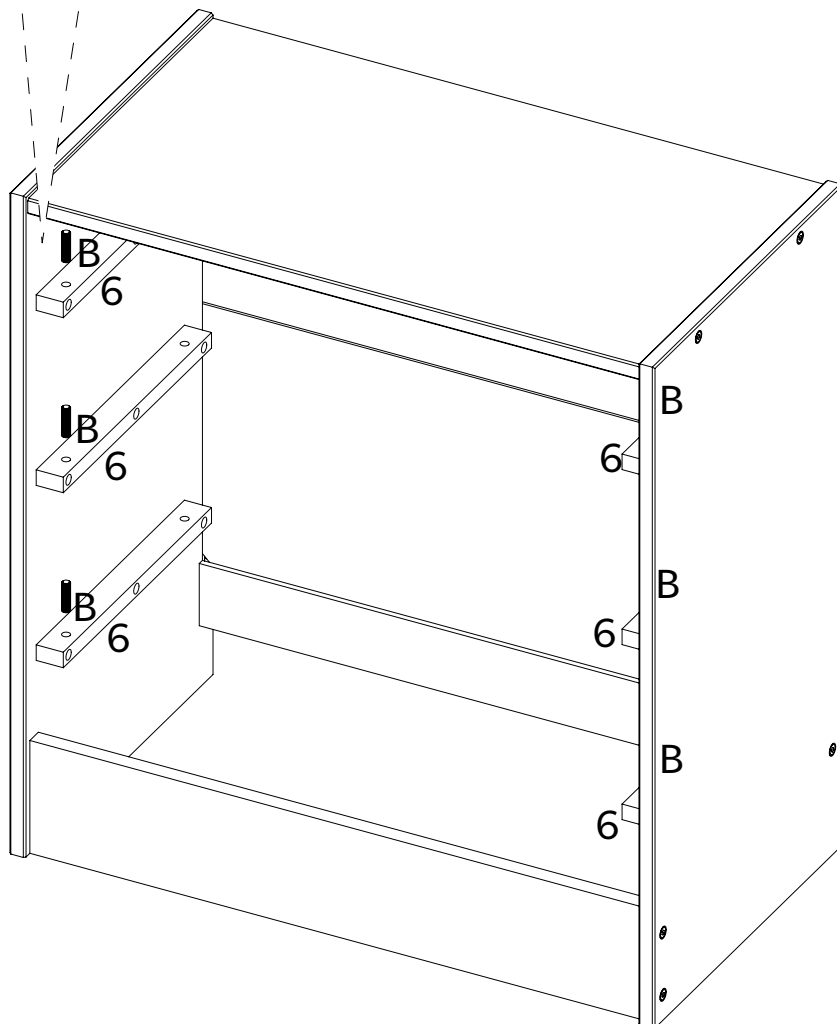
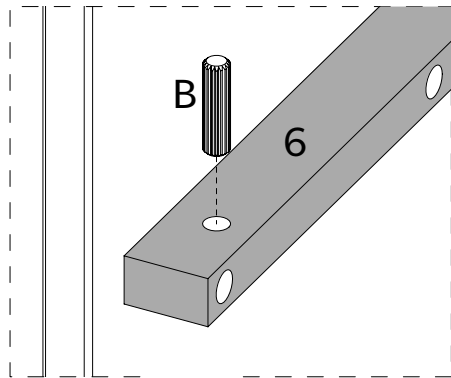
Step 11

Fit the all Supports (G) with all Screws (H) 16mm in the grooves on the Top panel (1), Left side panel (4), Back panel (7) and Right side panel (8) to keep Back panel (7) fixed. Use a Phillips head screwdriver.



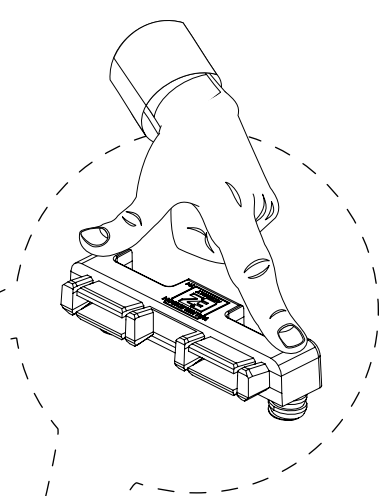
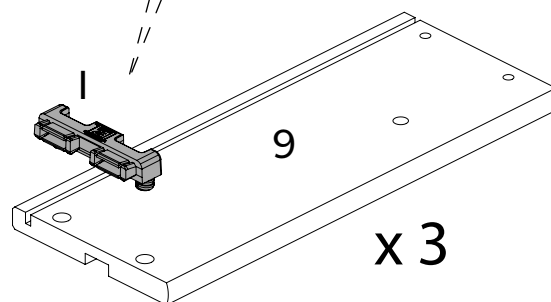
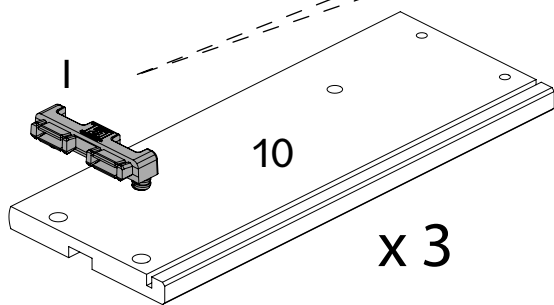
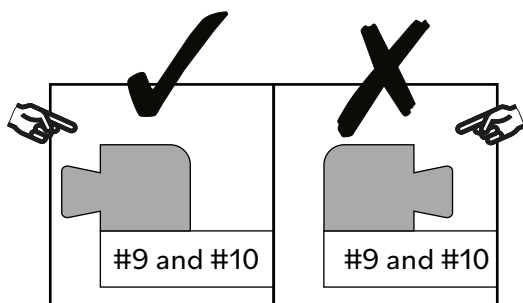
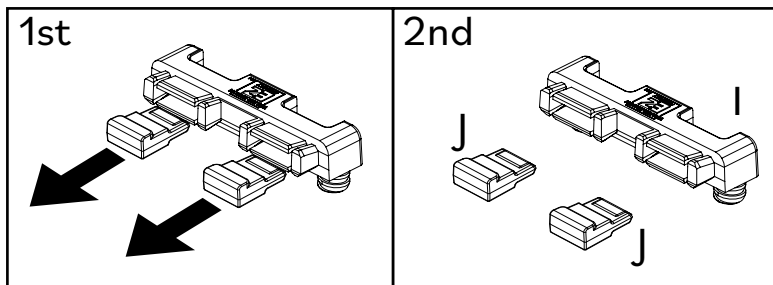
Step 12

Insert 6 Wood dowels (B) 30mm into the front hole in the Wood sliders (6). This is necessary to stop the drawer from falling.



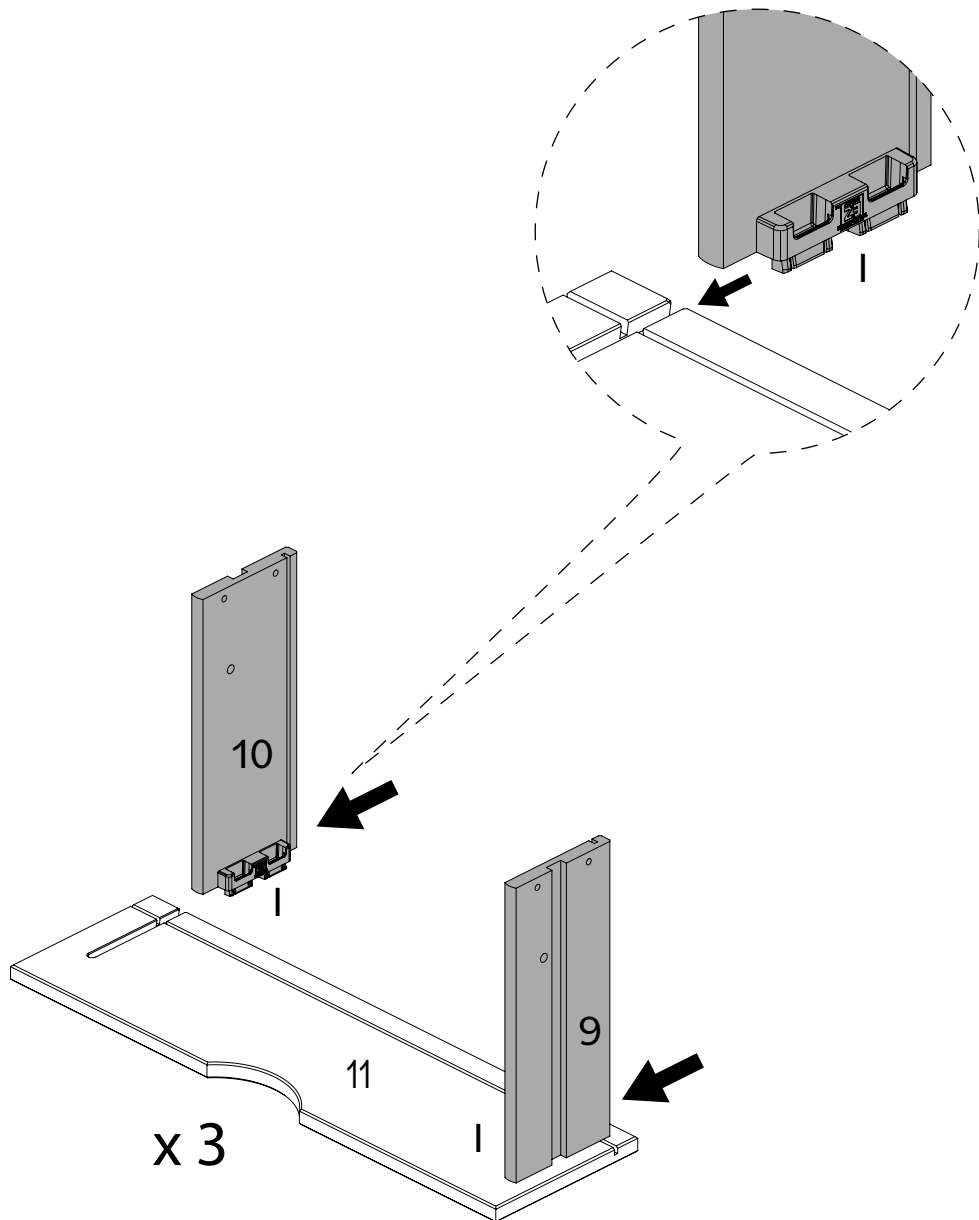
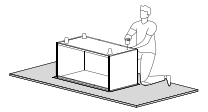
Step 13

Firstly, detach the Dovetail locks (J) of the Dovetails (I). Fix the Dovetails (I) to all Right drawer sides (9) and all Left drawer sides (10). Use a hammer if necessary.



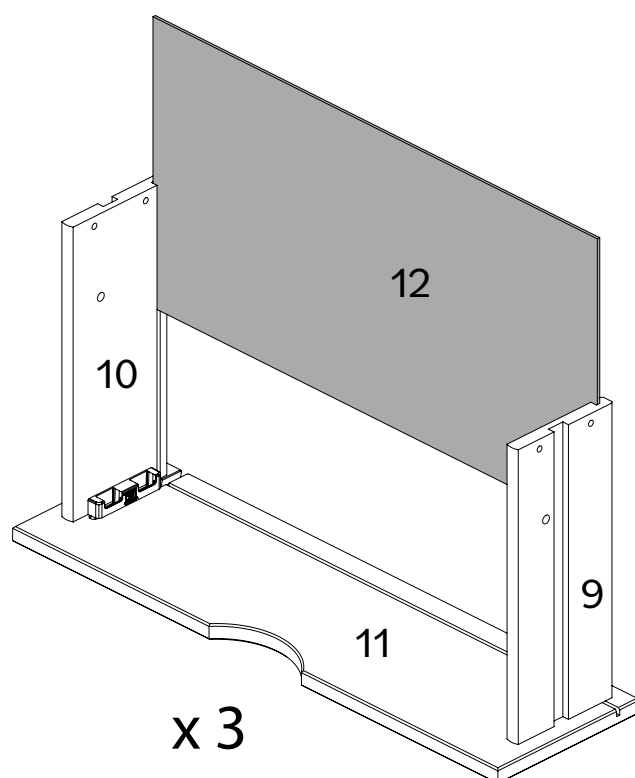
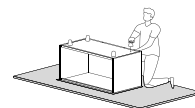
Step 14

Slide the dovetails (I) on the grooves in the Drawer front (11).



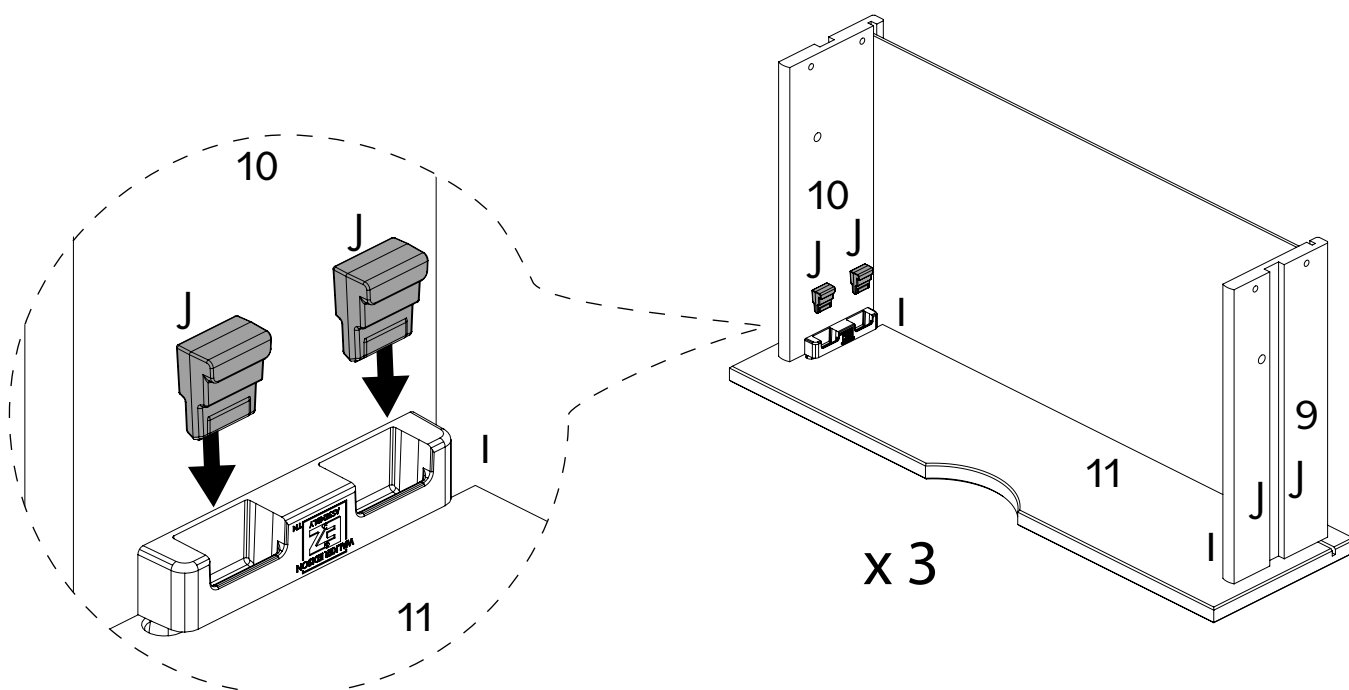
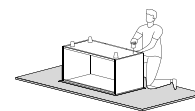
Step 15

Insert the Drawer bottoms (12) into grooves on the Right drawer sides (9), Left drawer sides (10) and Drawer fronts (11).



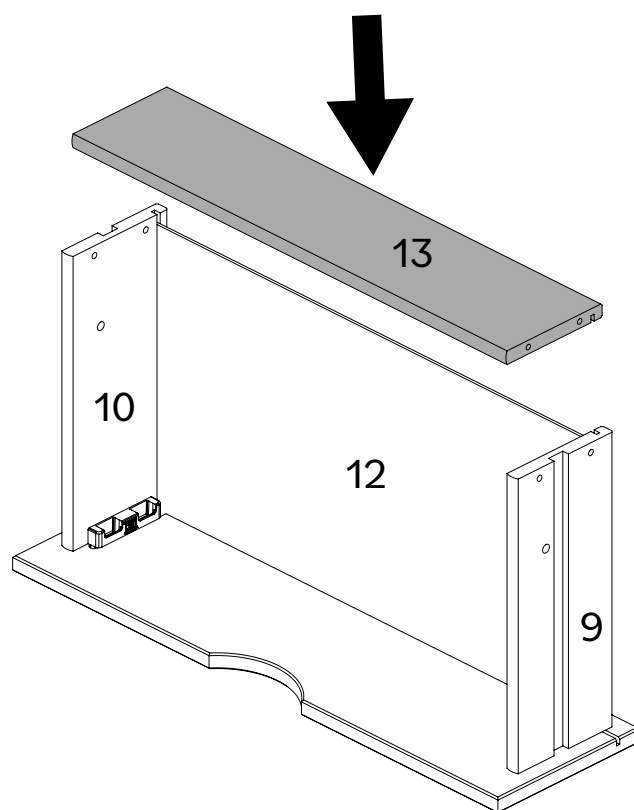
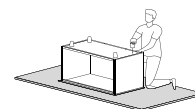
Step 16

Insert the Dovetail lockers (J) in the Dovetails (I) to lock the Drawer fronts (11). Use a hammer if necessary.



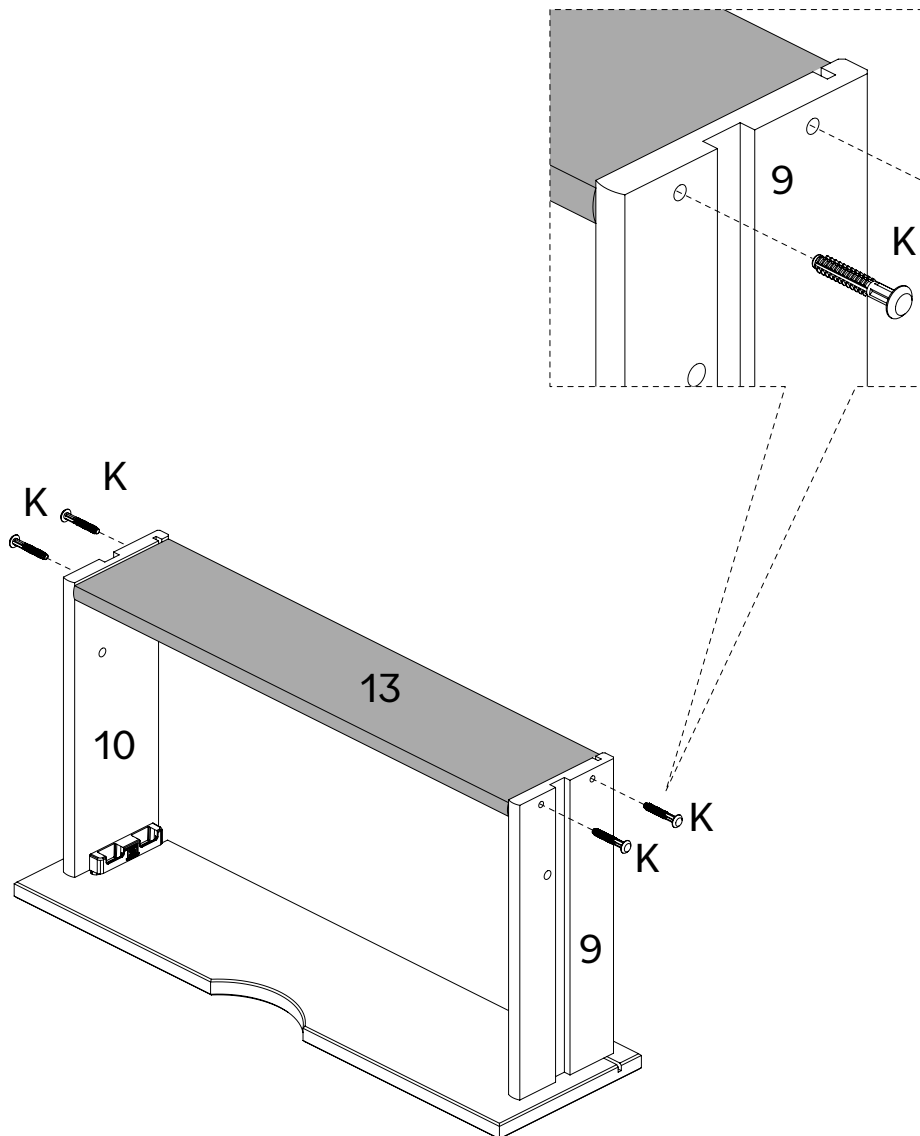
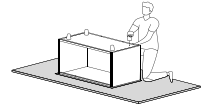
Step 17

Insert Drawer backs (13) between Right drawer sides (9) and Left drawer sides (10).



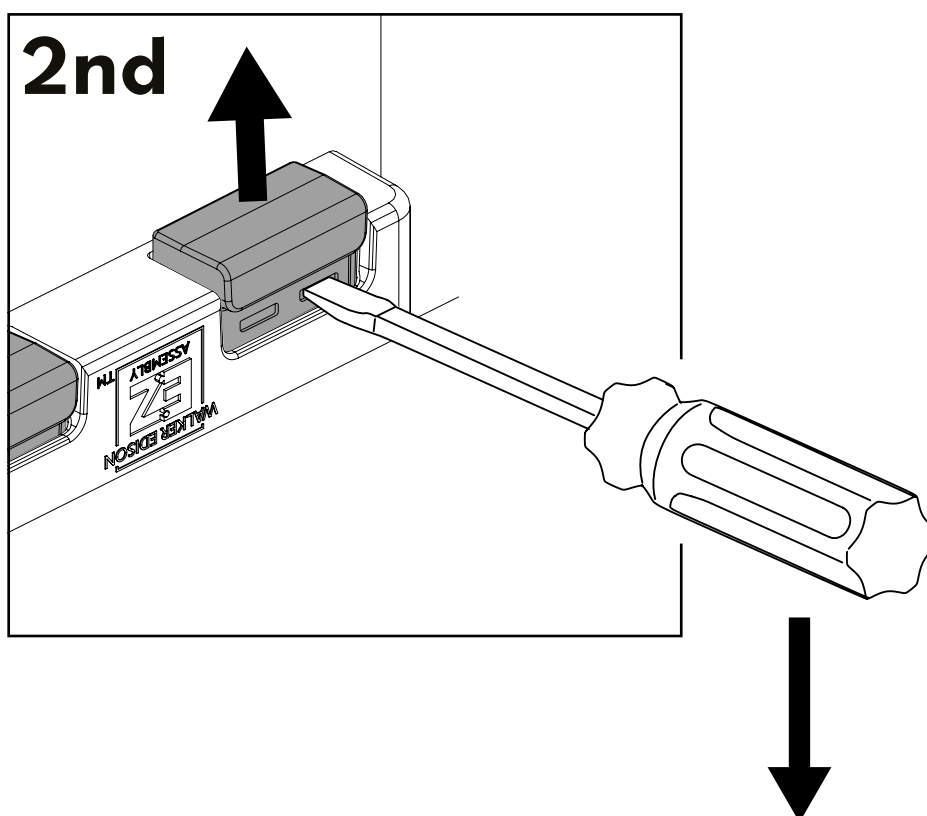
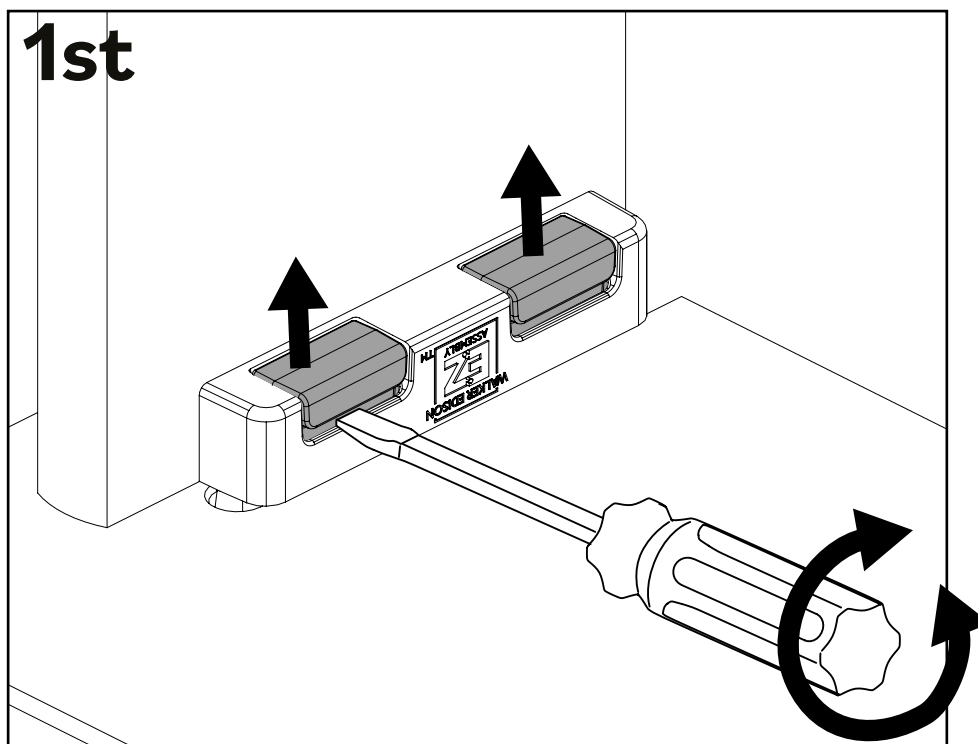
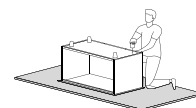
Step 18

Secure the Drawer backs (13) inserting all Plastic screws (K) in the holes on the Right drawer sides (9) and Left drawer sides (10). Use a hammer if necessary.



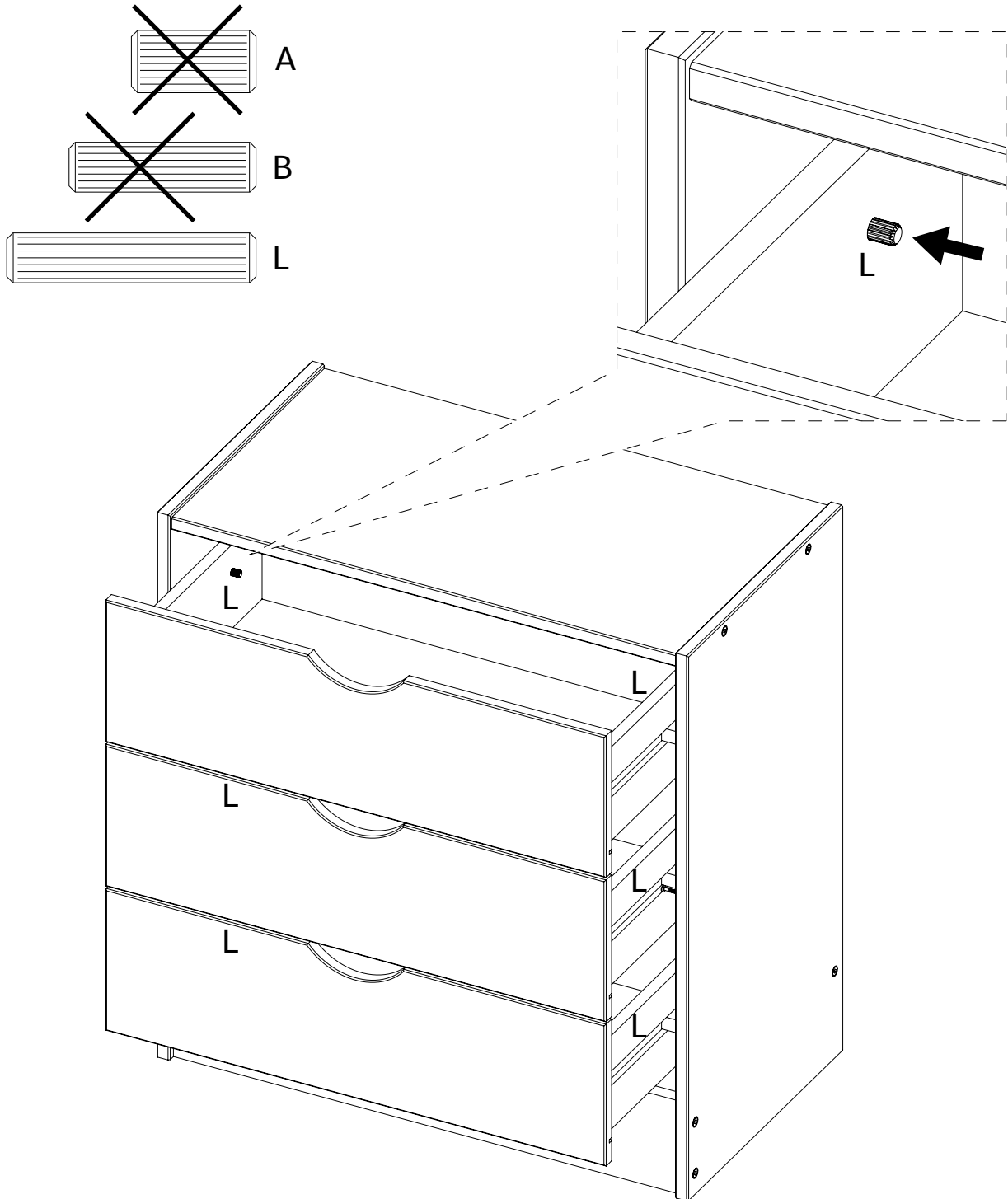
Step 19

If it is necessary to disassemble, remove the Dovetail locker(J) with a Slotted head screwdriver.

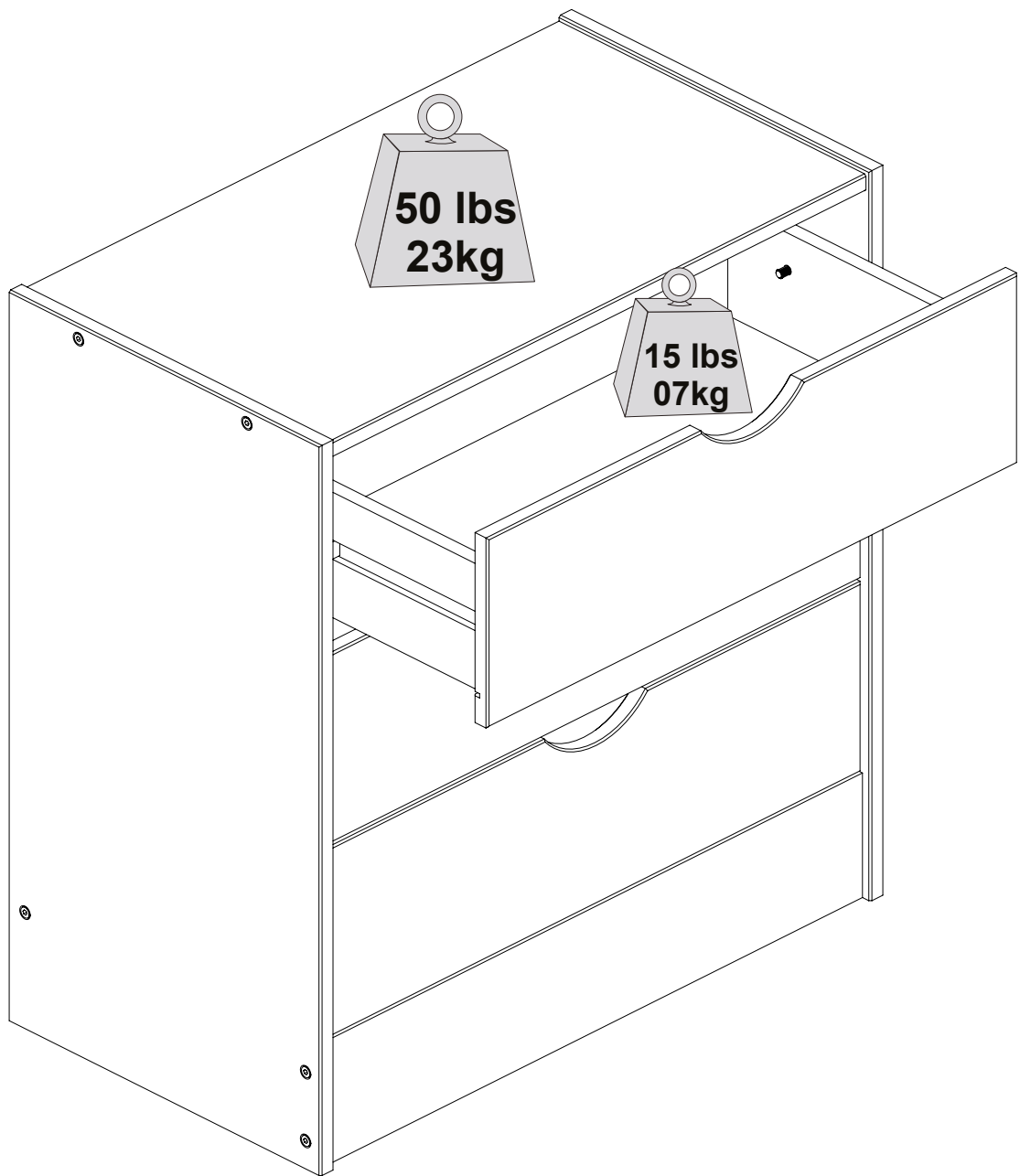


Step 20

Insert all Wooden dowels (L) 40mm on the inside of all drawers, with the drawer inside the unit, after having passed the wooden dowel that is in the drawer side. The dowel is not aligned with the panel, it is a little inside the drawer to help when you need to remove the lock dowel to remove the drawer.



Final Assembly



Congratulations on your new piece of furniture!
We would love to hear about it and see it.
Please leave us a review or post a picture with
[#mywalkerredisonhome](https://www.instagram.com/mywalkerredisonhome)

Assembling furniture can be tricky sometimes.

Our customer service team, located in Utah, is here for product information, help assembling a product, or for any other customer support issue

Call us at **801-433-3008**

Email us at service@walkeredison.com

Visit our Customer Service website at walkeredison.com/pages/customer-service

We are available to help Monday -Thursday 8am-5pm, Friday 8am-3pm MST

For details on Assembly Videos, Assembly Instructions, Replacement Parts, and Customer service,

SCAN HERE

