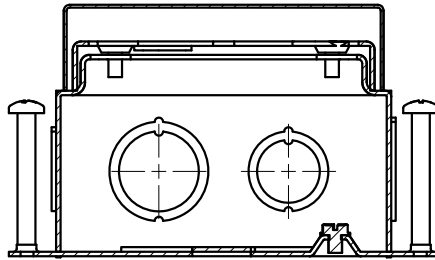
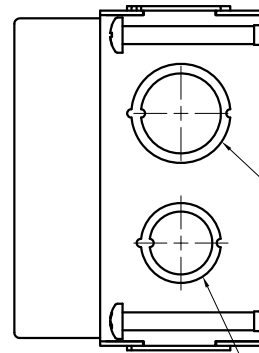
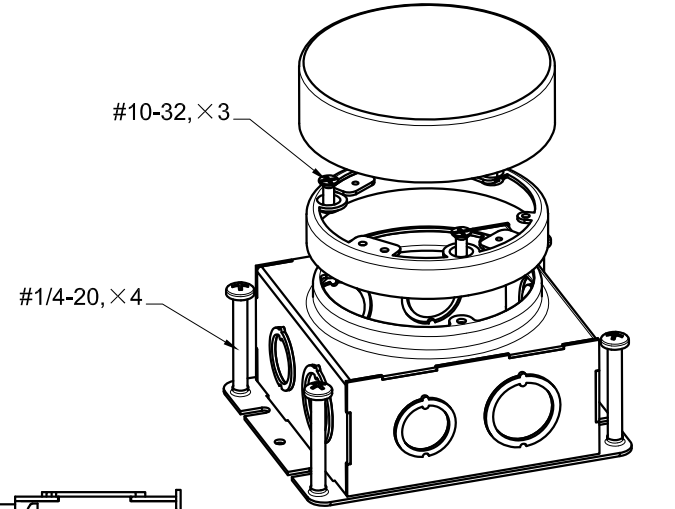
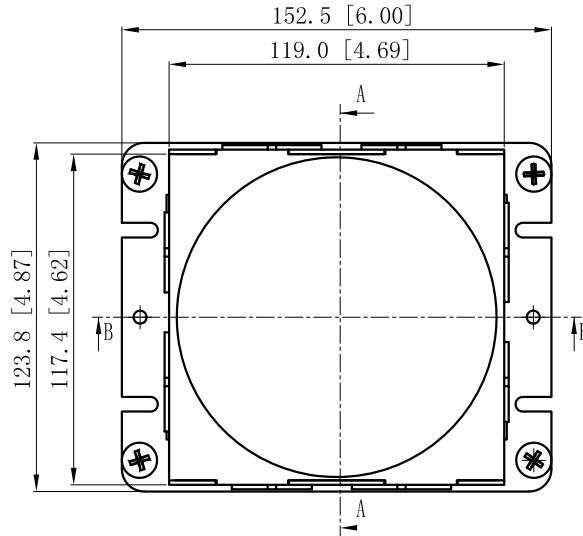
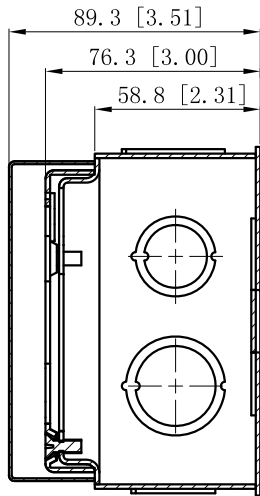


SIDES	BOTTOM
4 3/4"-1/2" KNOCKOUTS	3 1/2" KNOCKOUTS
4 1"-3/4" KNOCKOUTS	2 3/4" KNOCKOUTS
	1 Gound hump
Material:Steel-0.0625"-G60 Galvanized	
3 pcs #10-32×1/2 Screws Installed	
4 pcs #1/4-20×2 Screws Installed	
1 PCS #10-32×3/8 green zin plate Screws Installed	



CUTAWAY VIEW B-B



4×1"-3/4" KNOCKOUTS  $\phi=35.2$  [ $\phi=1.385$ ]  
 $\phi=28.4$  [ $\phi=1.118$ ]  
 4×3/4"-1/2" KNOCKOUTS  $\phi=28.4$  [ $\phi=1.118$ ]  
 $\phi=22.3$  [ $\phi=0.878$ ]

DESCRIPTION
TRADE REFERENCE TERMS

This data sheet is for reference only.GARVIN INDUSTRIES reserves the right to make changes to the design without prior notice.

STANDARD PACKING	<h1 style="text-align: center;">GARVIN INDUSTRIES</h1>		
6 PCS			
TITLE	Flush Rnd FIr Bx-3.3" Deep		
SIZE	DWG NO.	REV	
A4	FB330C		
DATA SHEET			