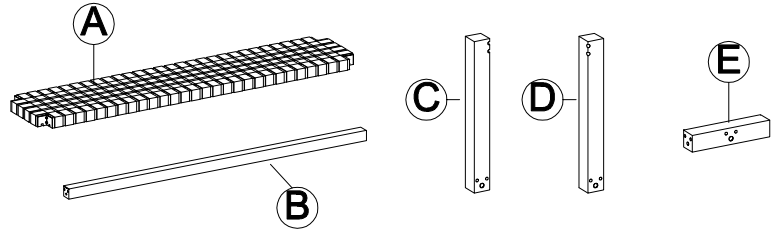


ONE COLLECT. WOVEN DINING BENCH ASSEMBLY INSTRUCTIONS



PARTS PACKING CONFIGURATIONS

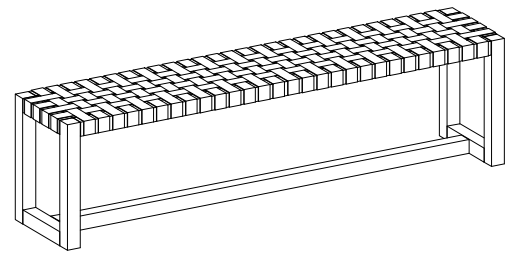
- A. SEAT 1PC
- B. STRETCHER 1PC
- C. LEG C 2PCS
- D. LEG D 2PCS
- E. SIDE STRETCHER 2PCS



HARDWARE KIT PACKED IN BOX

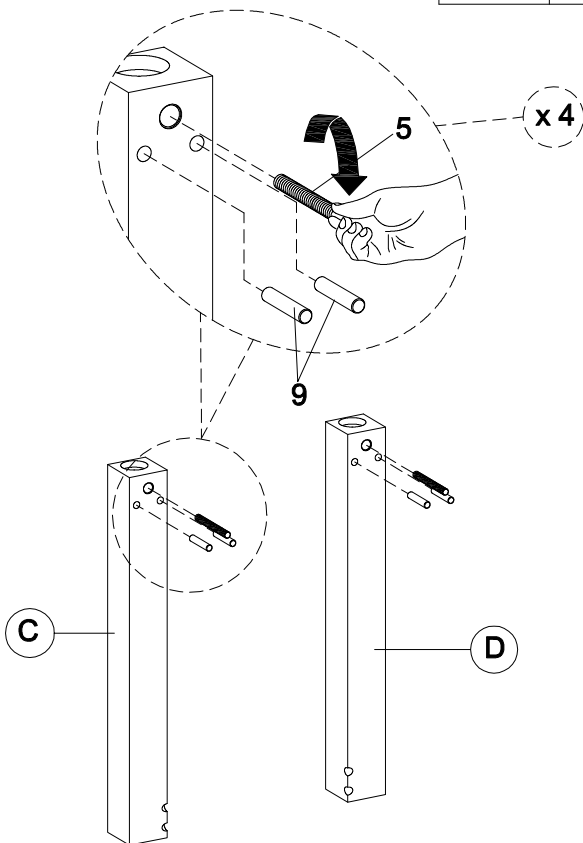
NO.	DESCRIPTION	IMAGE	Q'TY
1	ALLEN BOLT (5/16"x3")		8 PCS
2	LOCK WASHER (5/16")		8 PCS
3	FLAT WASHER (5/16")		8 PCS
4	ALLEN KEY (5mm)		1 PC
5	THREADED BOLT(5/16"x3")		6 PCS
6	HALF MOON WASHER(28x14x7mm)		6 PCS
7	HEX NUT (5/16")		6 PCS
8	WRENCH		1 PC
9	WOOD DOWEL(8x30mm)		12 PCS

FULLY ASSEMBLED



Step 1:

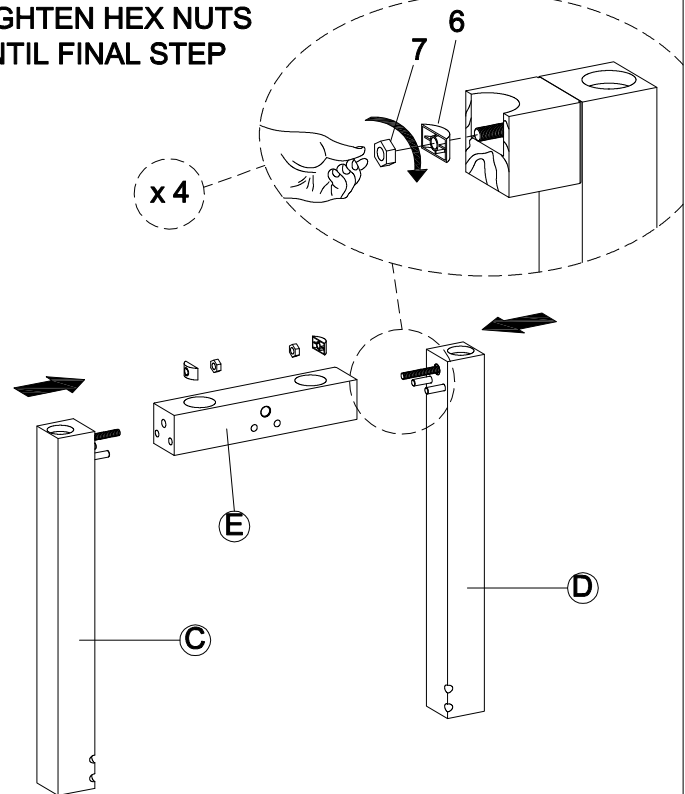
- #5 (4)
- #9 (8)



Step 2:

- #6 (4)
- #7 (4)

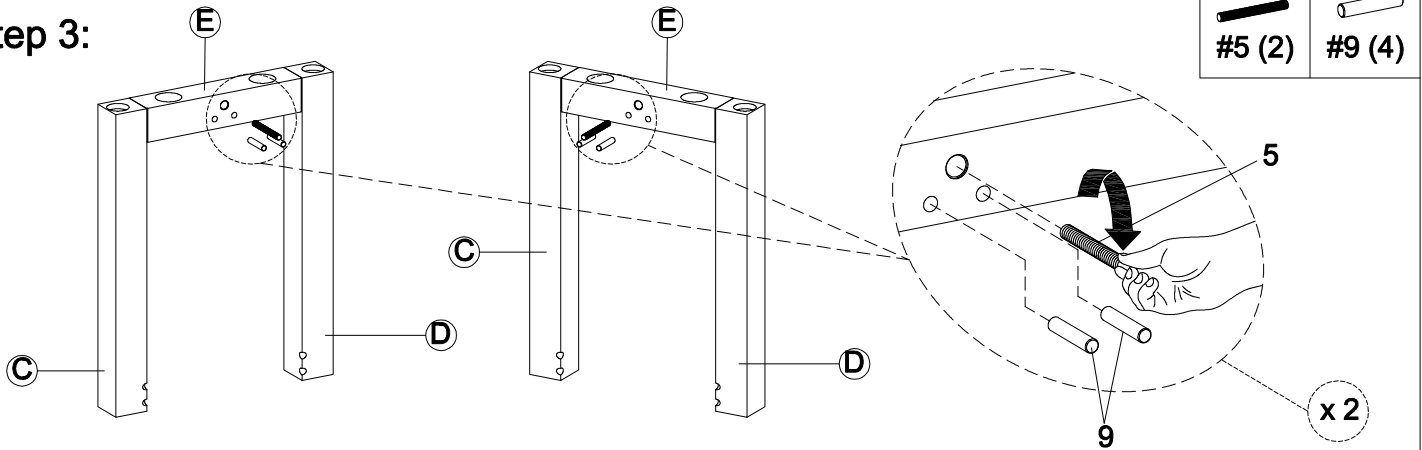
NOTE: DO NOT FULLY TIGHTEN HEX NUTS UNTIL FINAL STEP



ONE COLLECT. WOVEN DINING BENCH ASSEMBLY INSTRUCTIONS

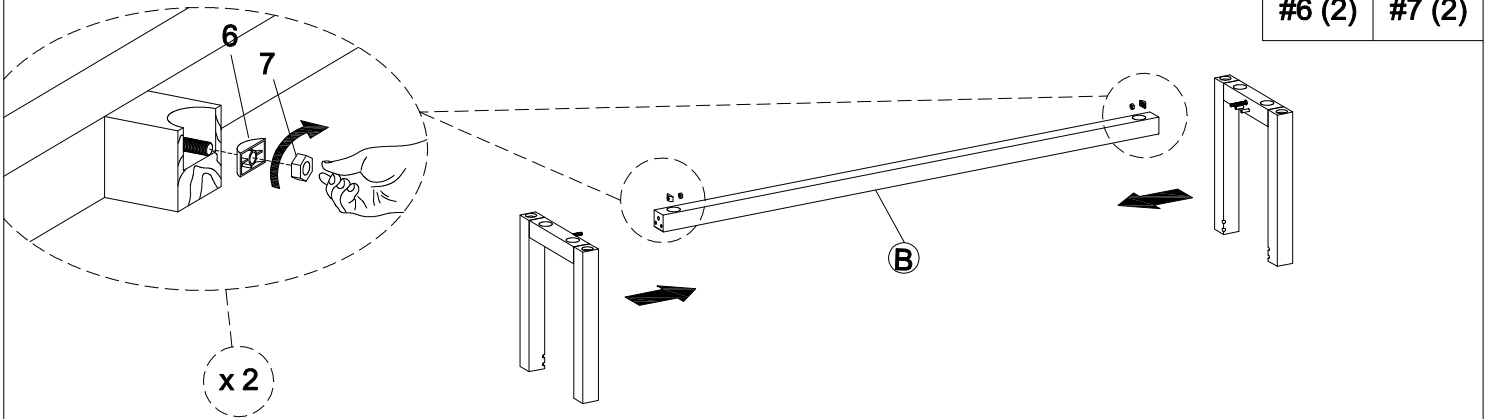


Step 3:



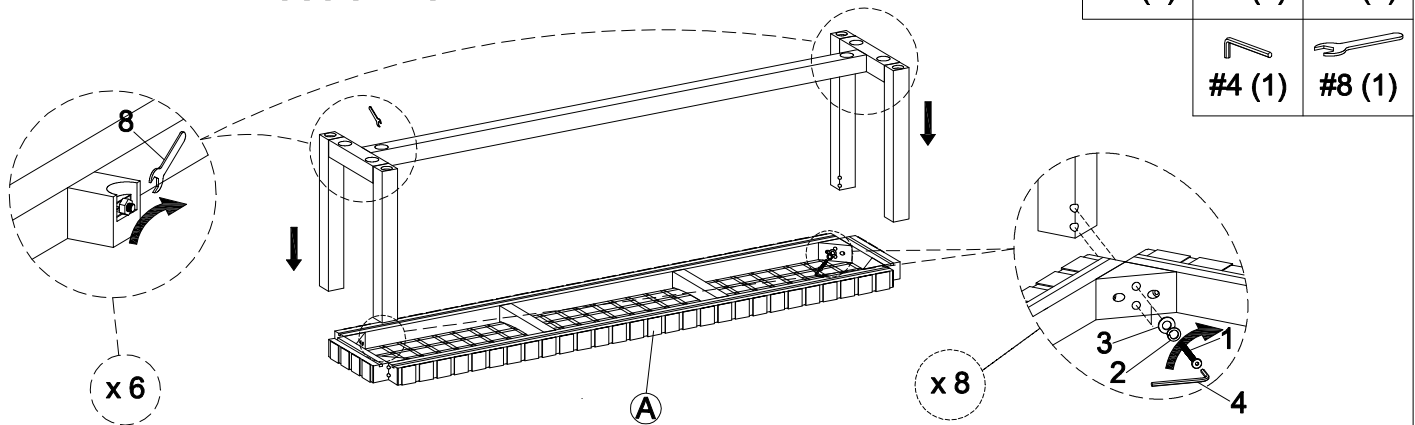
#5 (2)	#9 (4)

Step 4: NOTE: DO NOT FULLY TIGHTEN HEX NUTS UNTIL FINAL STEP



#6 (2)	#7 (2)

Step 5: NOTE: FULLY TIGHTEN ALL HEX NUTS AND BOLTS FROM THIS AND PREVIOUS STEPS.



#1 (8)	#2 (8)	#3 (8)
#4 (1)	#8 (1)	

ASSEMBLY COMPLETE

