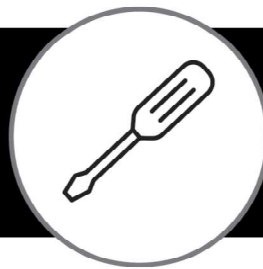


Assembly Guide



Bush
FURNITURE

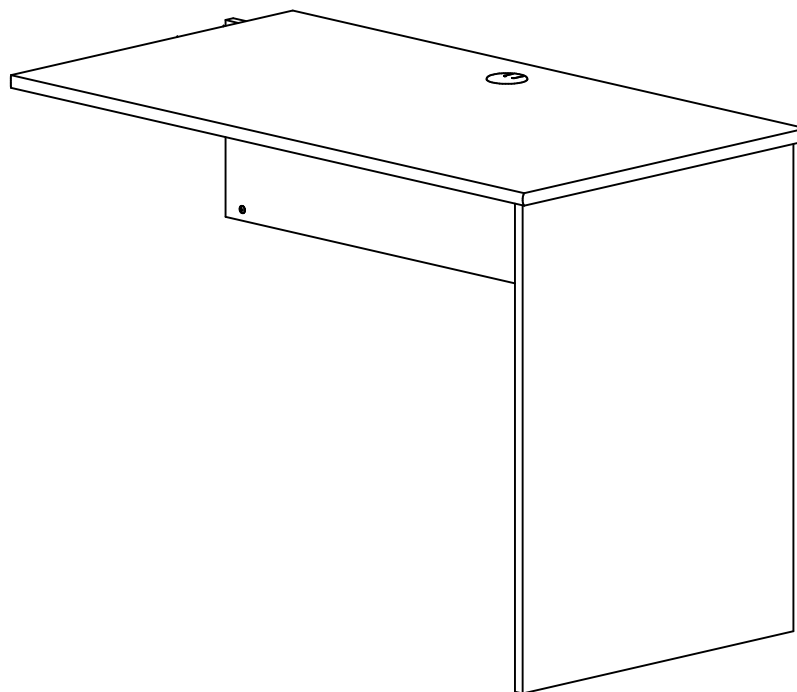


If you're having any difficulty during assembly of this product, don't hesitate to call us at **1-800-950-4782.**

Our customer service experts are trained to provide step-by-step instruction and can easily replace any missing or damaged parts.

**Representatives are available Monday-Friday
from 8:30 a.m. to 7:30 p.m. (ET)**

42" Wide Shell Return



Lot Code #

Instruction Sheet Number A210791

Keep manual for future reference.

For best results, keep these tips in mind:

- ① We know you want to finish this assembly as quickly as possible, but trust us: you'll have a better experience if you take it one step at a time.
- ② Give yourself some room to work near where you want the fully assembled product.
- ③ If your floor isn't carpeted, assemble this product on the empty carton to avoid scratching.
- ④ Do you have a friend who owes you a favor? Some steps may go a little easier with a second set of hands.

DOs

- ✔ Use a #2 Phillips head screwdriver (or other handheld tools as indicated)
- ✔ Wear safety glasses at all times during assembly
- ✔ Carefully follow the instructions in this guide and complete all steps in order
- ✔ Give us a call if you're having trouble with a particularly tricky step

DON'Ts

- ✘ We know power tools are quick and easy, but you shouldn't use them when assembling this product (unless otherwise specified)
- ✘ Never move your furniture with items inside or resting on the surface
- ✘ Do not attempt to use this product before all steps have been completed

Watch assembly videos right on your phone or computer!



Some steps include QR codes that link to helpful videos. Watch out for the icon on the left! Simply open up your smartphone camera to scan the code.

(Users of older smartphones may need to install a QR Reader.)

SCAN HERE



FOR VIDEOS

Or visit <https://www.bushfurniture.com/CustomerService/HowtoAssemble.aspx>



IMPORTANT SAFETY INFORMATION



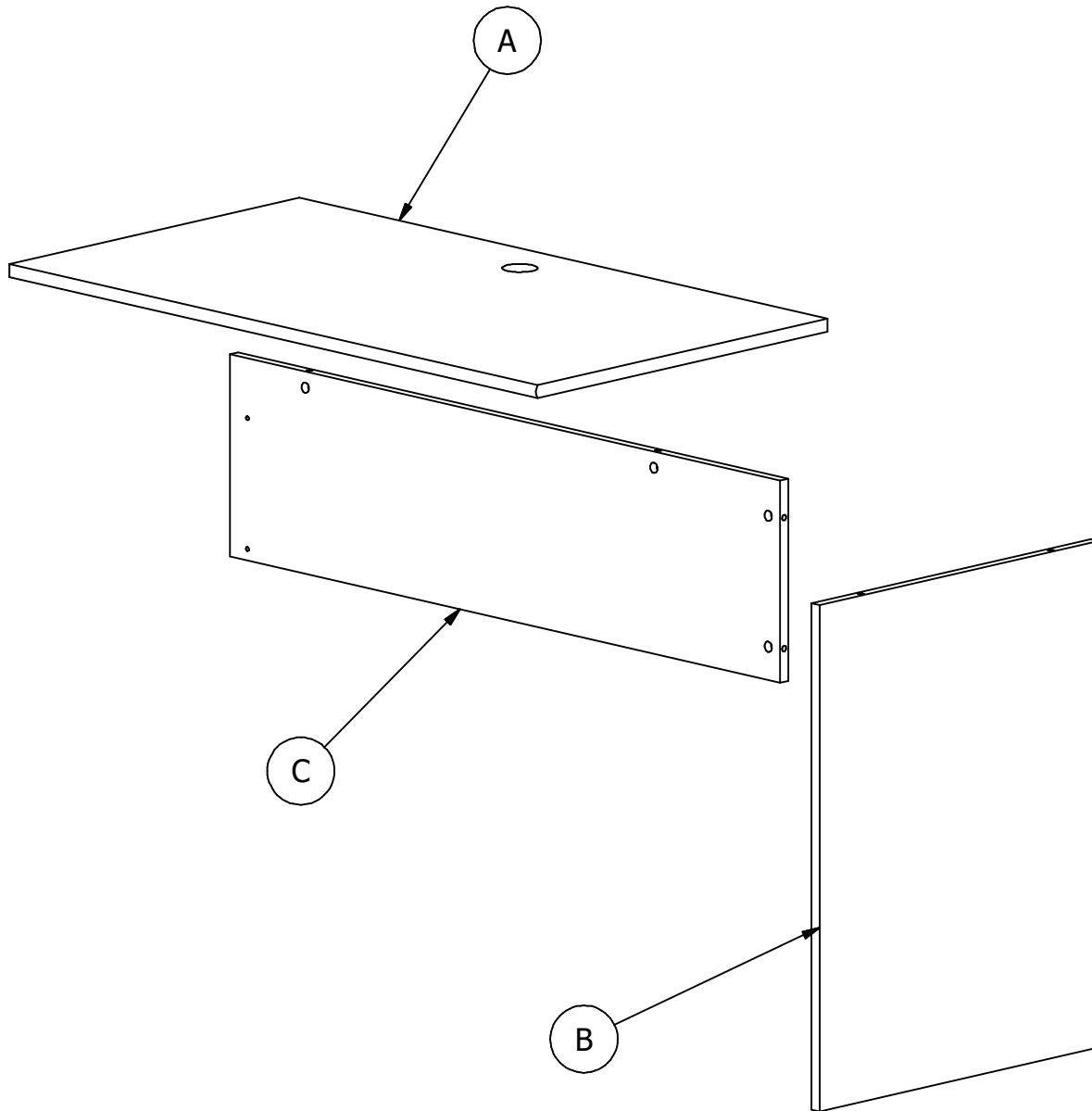
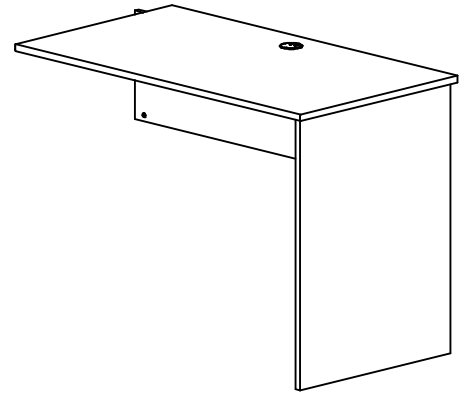
PLEASE READ WARNINGS

Improper use can cause safety hazards, or damage to your furniture and household items.

Warning	Do	Don't	Why it's important
Serious injury may occur.	<ul style="list-style-type: none">Assemble following all instructions using all indicated parts and hardware provided.	<ul style="list-style-type: none">Do not move unit when loaded.Do not load with a television or other heavy equipment.Do not exceed the maximum load limits stated in the instructions.	Improper assembly, use or loading can lead to product instability, tip-over or collapse.

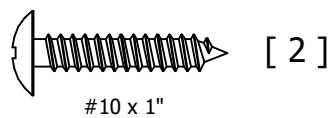
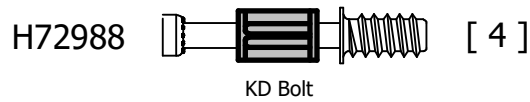
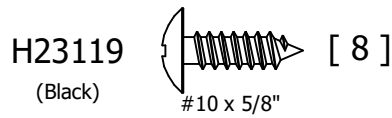
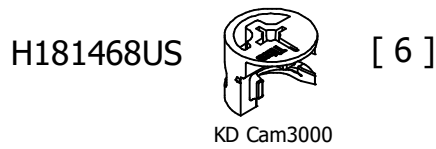
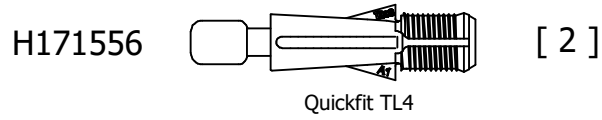
Advertencia	Hacer	No	Por qué es importante
Se pueden producir lesiones graves.	<ul style="list-style-type: none">Ensamble siguiendo todas las instrucciones utilizando todas las piezas y ferretería indicados provistos.	<ul style="list-style-type: none">No mueva la unidad cuando esté cargada.No cargue con un televisor u otro equipo pesado.No exceda los límites máximos de carga establecidos en las instrucciones.	El ensamblaje, uso o carga inadecuados pueden provocar inestabilidad del producto, vuelco o colapso.

Avertissement	Faire	Ne le fais pas	Pourquoi c'est important
Des blessures graves peuvent survenir.	<ul style="list-style-type: none">Assemblez en suivant toutes les instructions en utilisant toutes les pièces et le matériel indiqués fournis.	<ul style="list-style-type: none">Ne déplacez pas l'unité lorsqu'elle est chargée.Ne chargez pas avec un téléviseur ou un autre équipement lourd.Ne dépassez pas les limites de charge maximale indiquées dans les instructions.	Un assemblage, une utilisation ou un chargement incorrects peuvent entraîner une instabilité du produit, un renversement ou un effondrement.



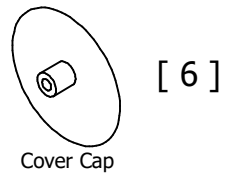
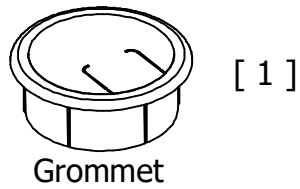
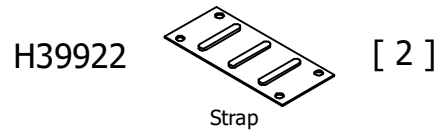
Have an assembly question or need a replacement part? Just call
1-800-950-4782, we are here to help.

Fasteners are shown actual size.



Have an assembly question or need a replacement part? Just call
1-800-950-4782, we are here to help.

Hardware not to scale.

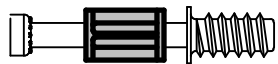


STEP 1

Prepare Panel

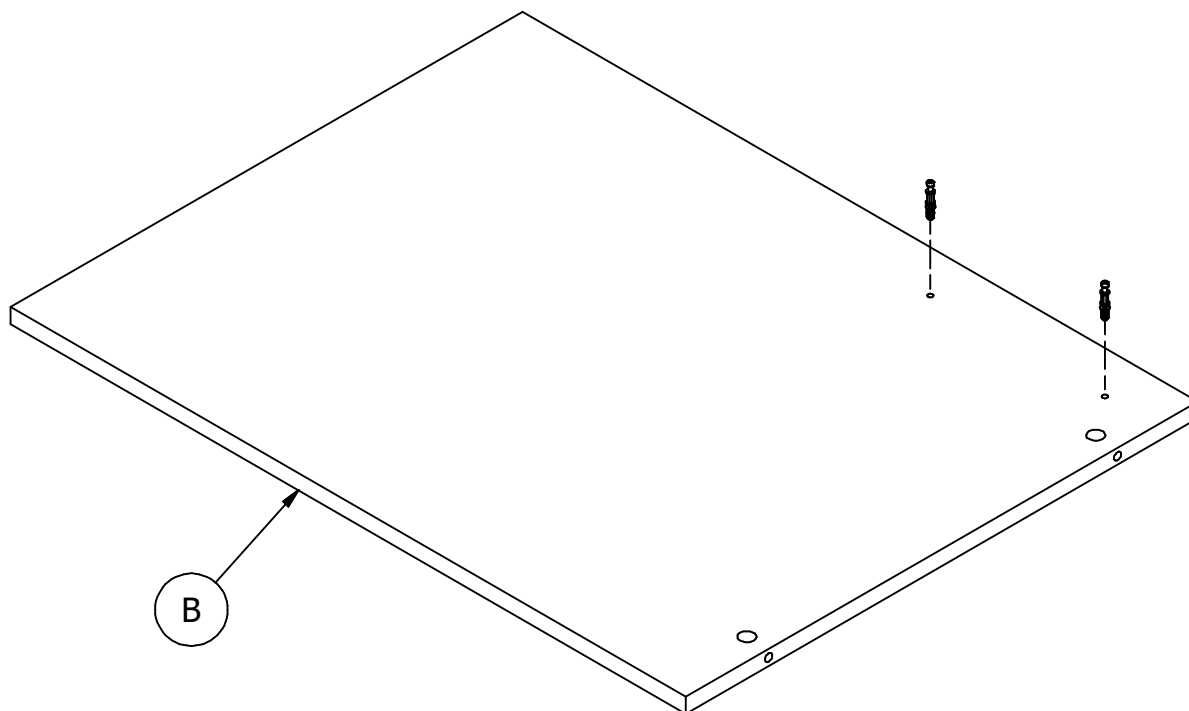
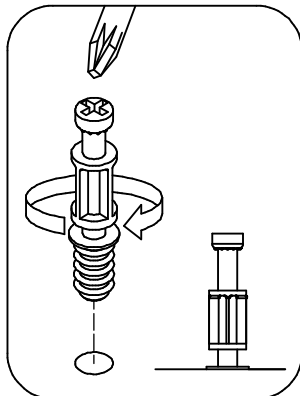
A210791

H72988



[2]

KD Bolt



Have an assembly question or need a replacement part? Just call
1-800-950-4782, we are here to help.

STEP 2

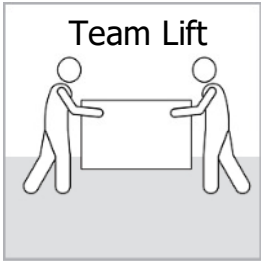
Assemble Panels

A210791

Scan QR Code to Watch Video on:



How to Tighten KD Cams

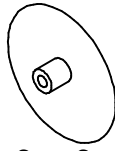
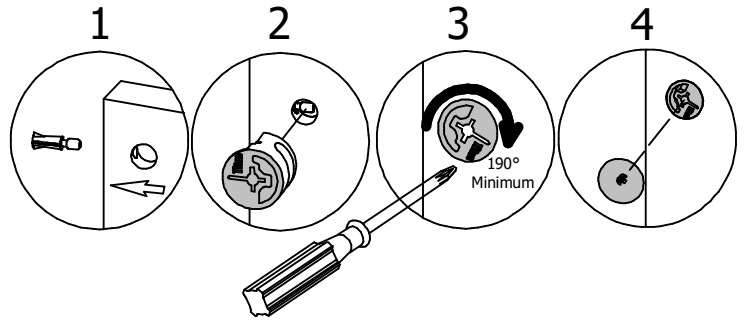


H181468US



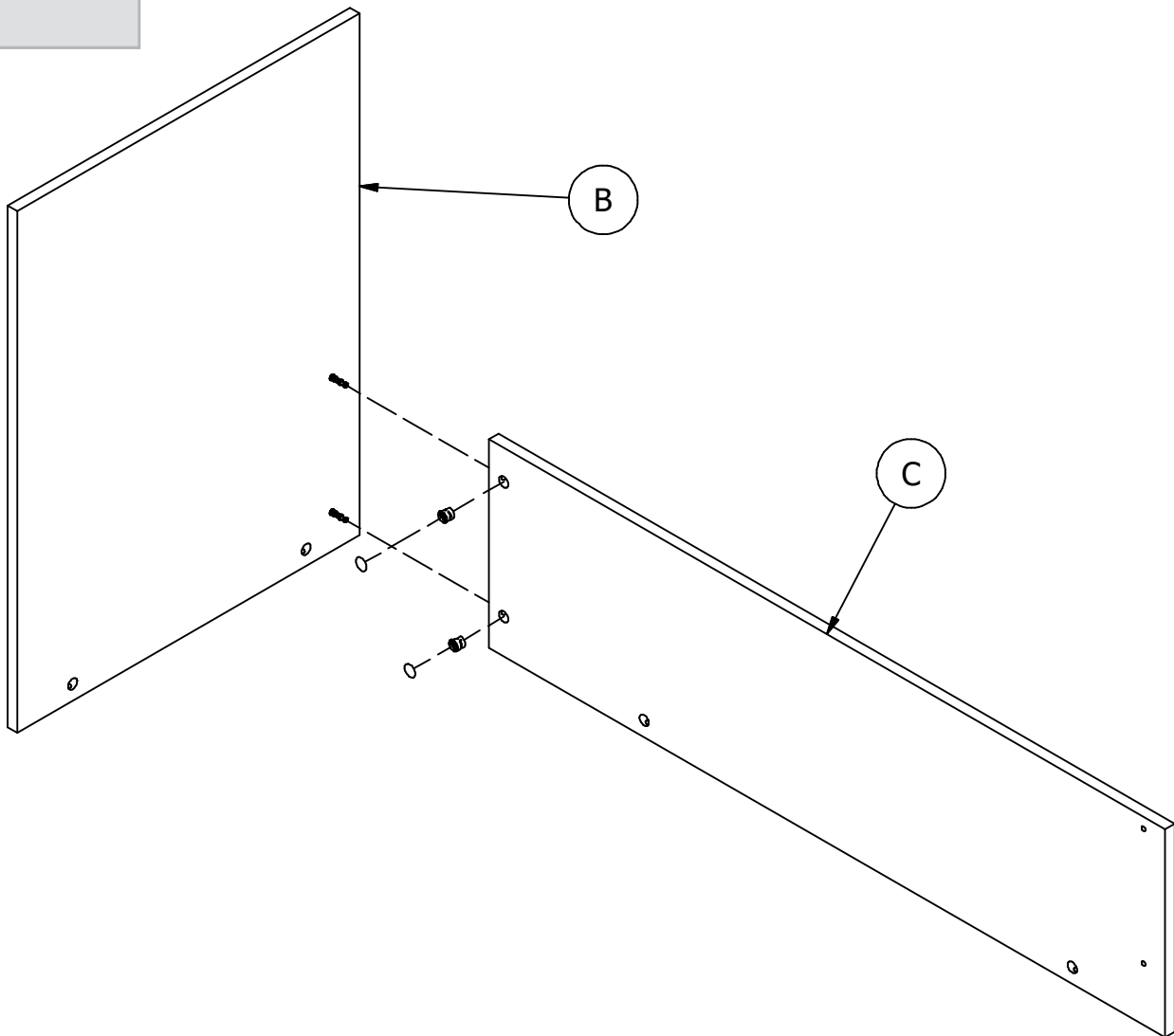
[2]

KD Cam3000



[2]

Cover Cap



Have an assembly question or need a replacement part? Just call **1-800-950-4782**, we are here to help.

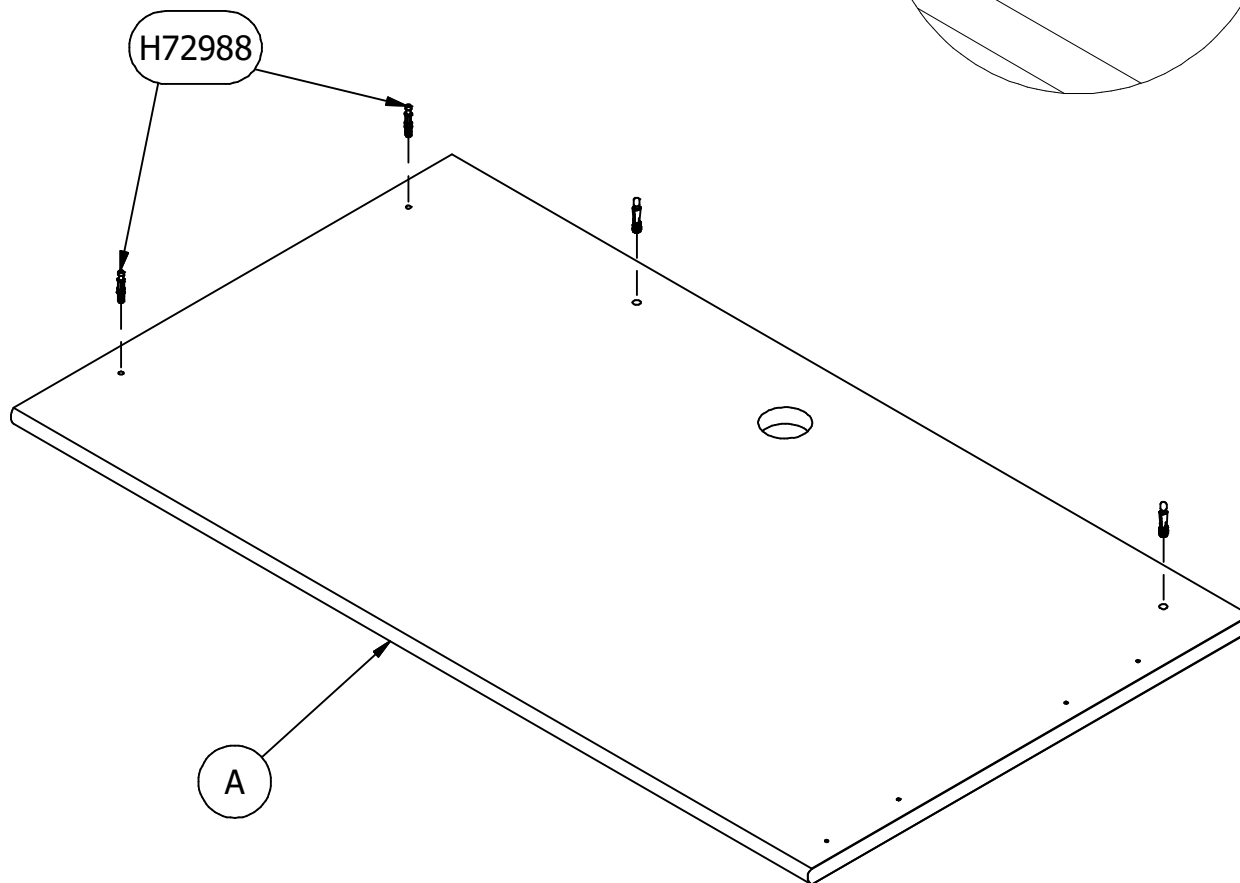
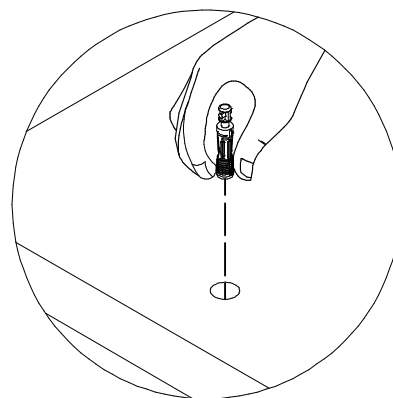
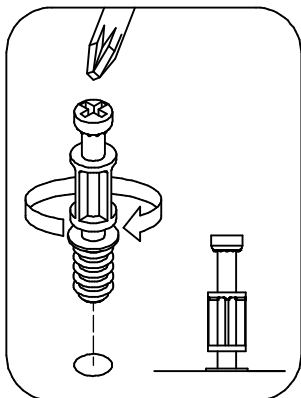
STEP 3

Prepare Panel

A210791

H72988 [2]
KD Bolt

H171556 [2]
Quickfit TL4



Have an assembly question or need a replacement part? Just call
1-800-950-4782, we are here to help.

STEP 4

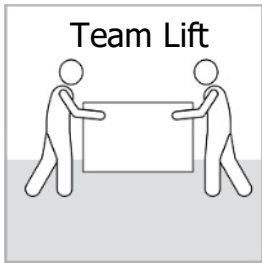
Assemble Panels

A210791

Scan QR Code to Watch Video on:



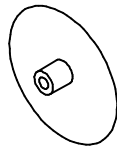
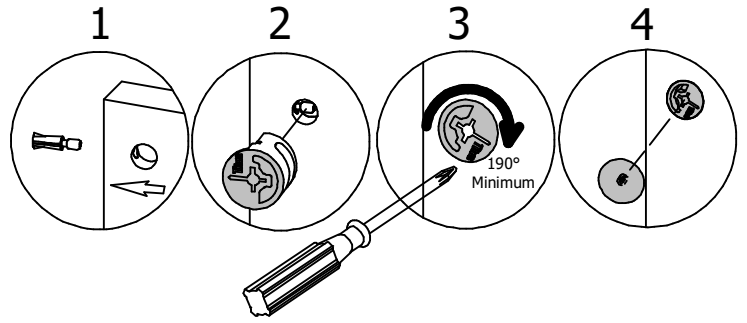
How to Tighten KD Cams



H181468US

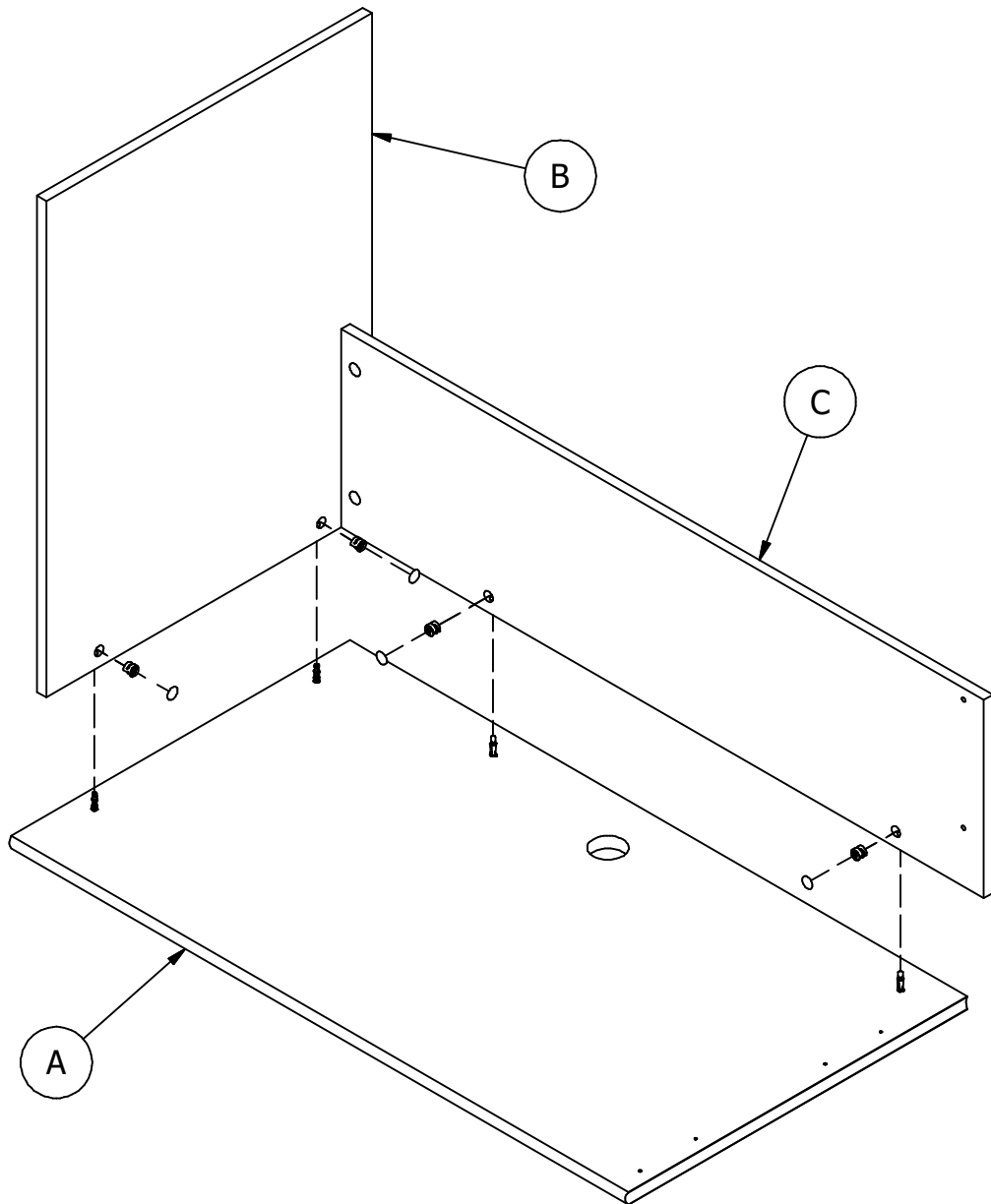


[4]



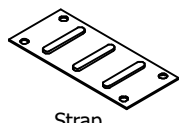
[4]

Cover Cap



Have an assembly question or need a replacement part? Just call **1-800-950-4782**, we are here to help.

H39922

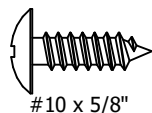


[2]

Strap

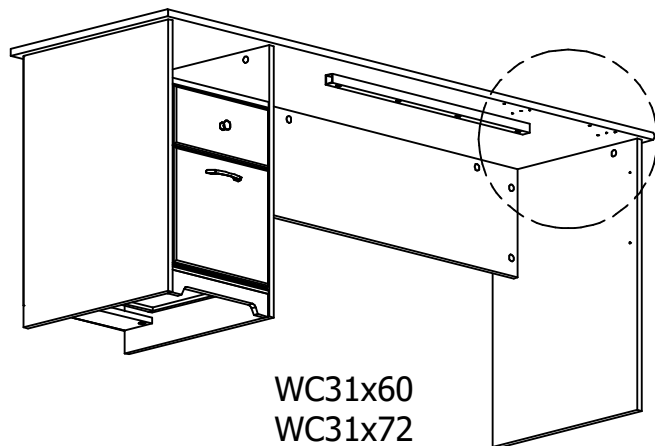
H23119

(Black)

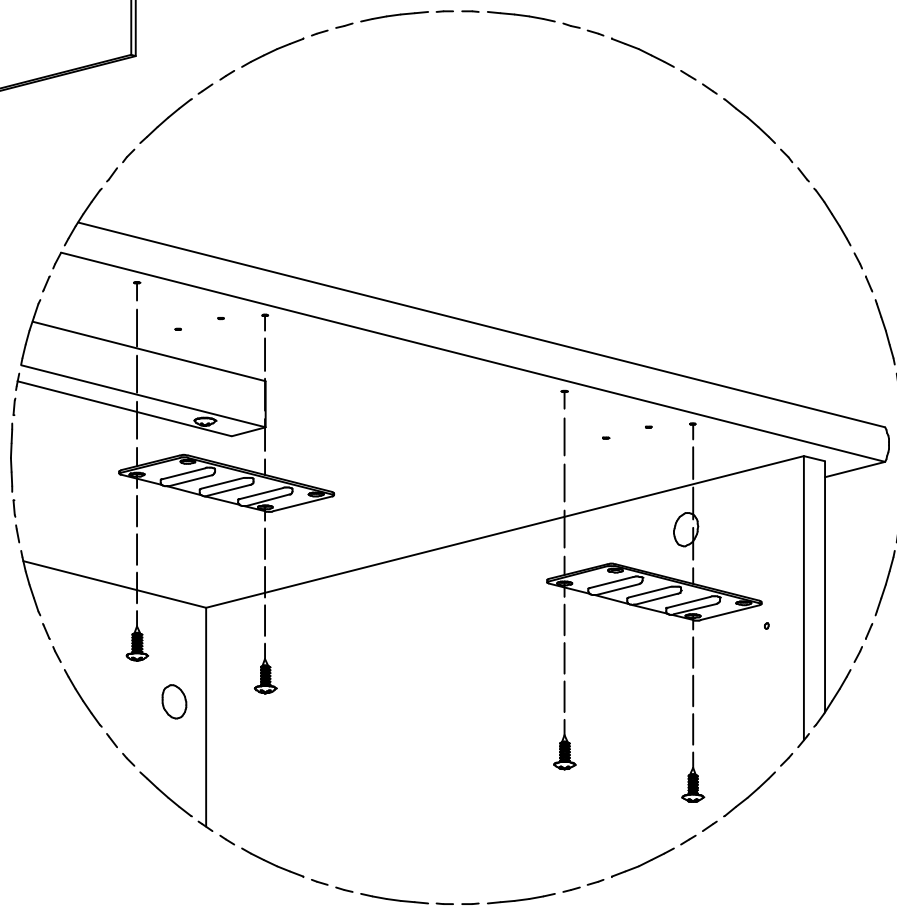


[4]

#10 x 5/8"



WC31x60
WC31x72

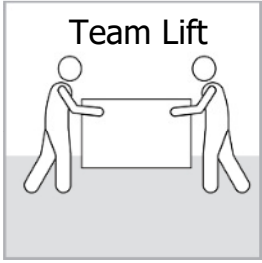


Have an assembly question or need a replacement part? Just call
1-800-950-4782, we are here to help.

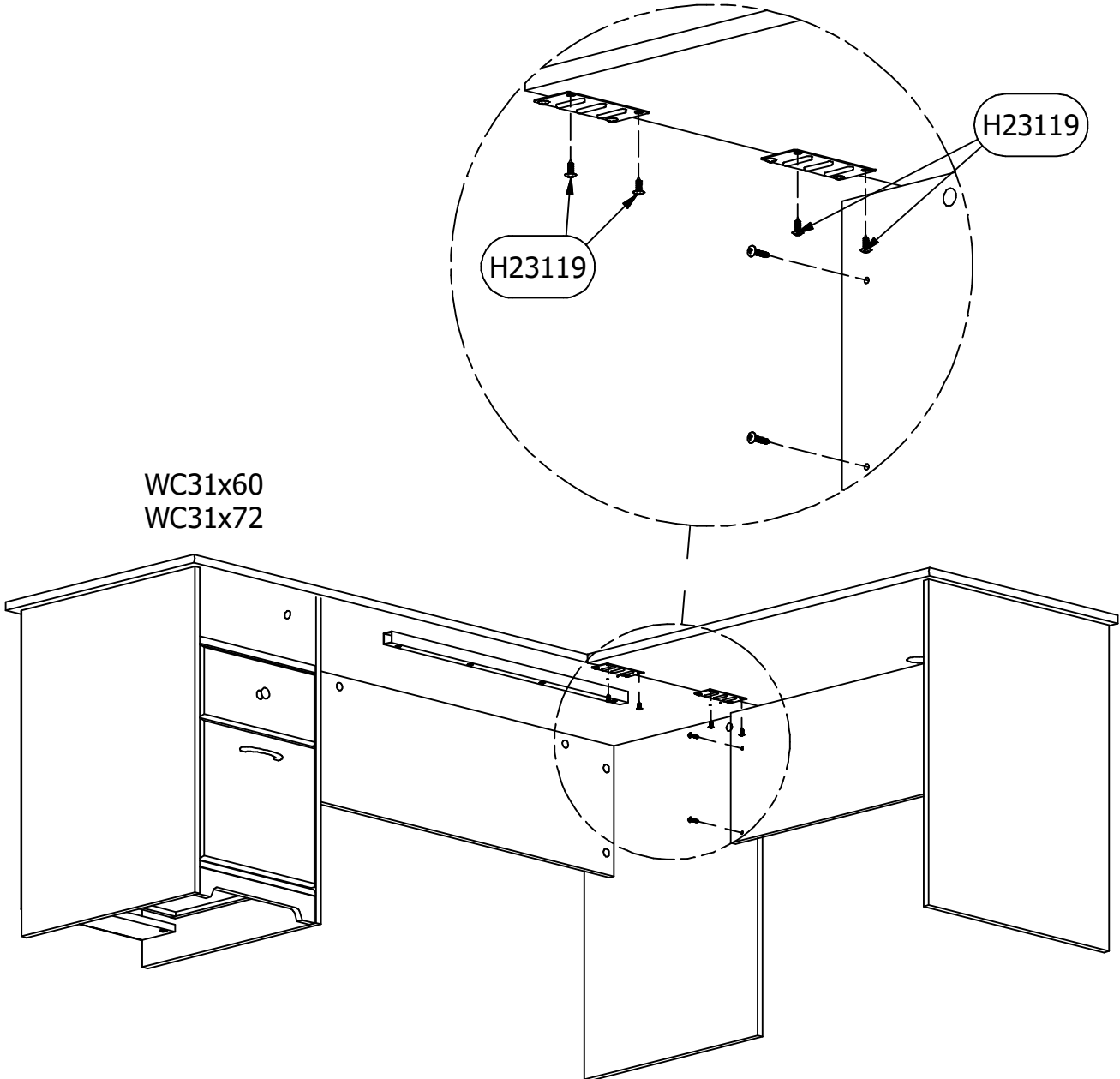
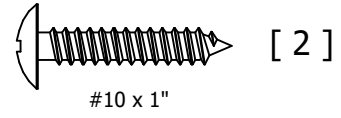
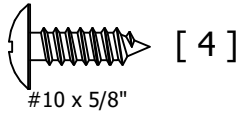
STEP 6

Attach Return

A210791



H23119
(Black)



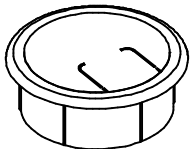
Have an assembly question or need a replacement part? Just call **1-800-950-4782**, we are here to help.

Scan QR Code to
Watch Video on:



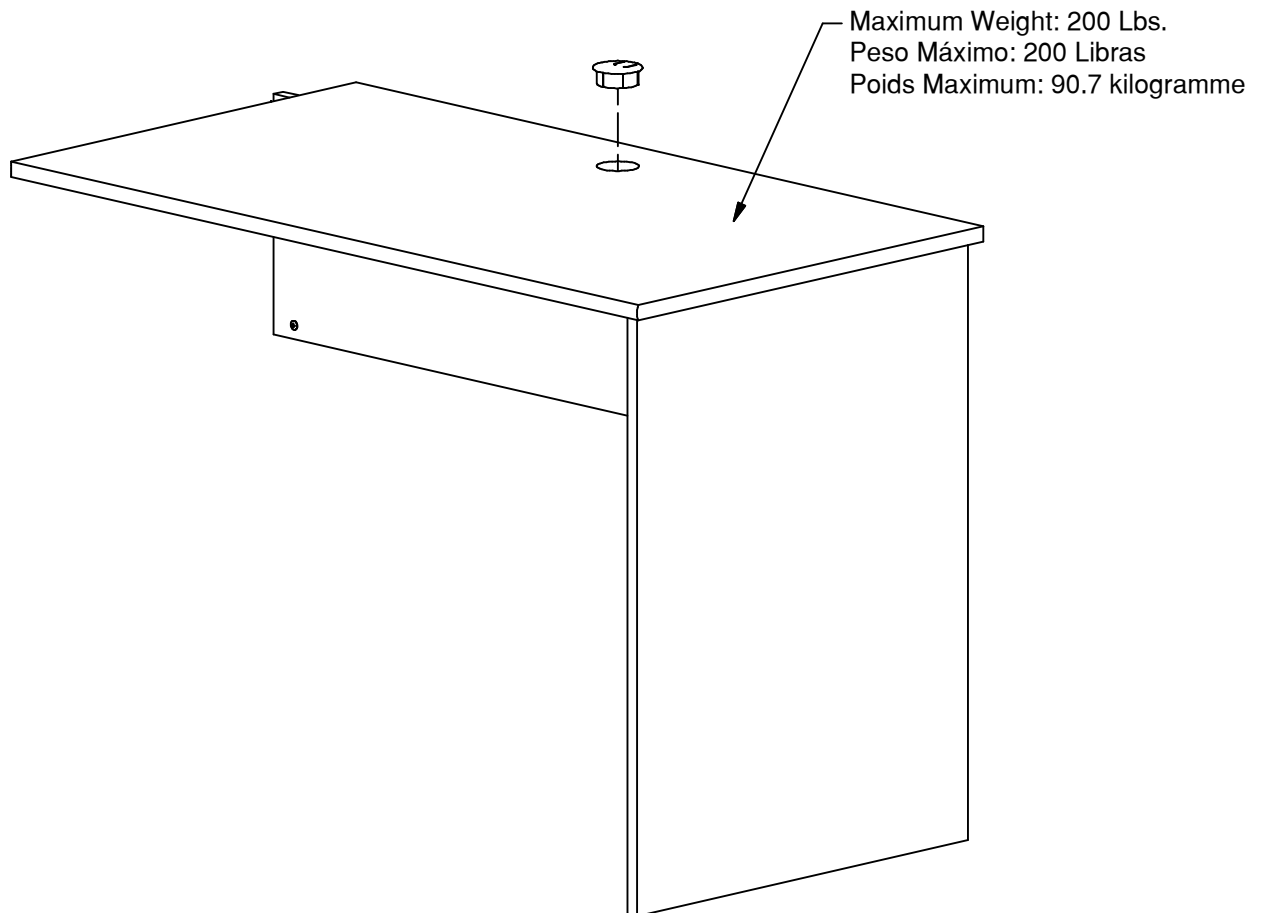
How to Clean
the Surface

Gently clean surfaces with a damp sponge eraser.



Grommet

[1]



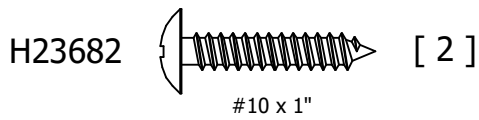
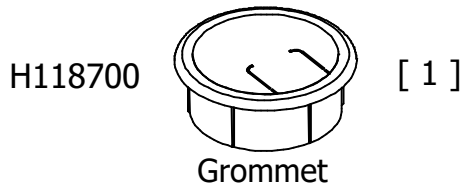
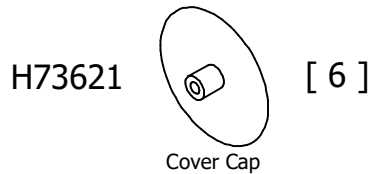
Congratulations! You are all done. If you have any questions or concerns, please call.

Have an assembly question or need a replacement part? Just call
1-800-950-4782, we are here to help.

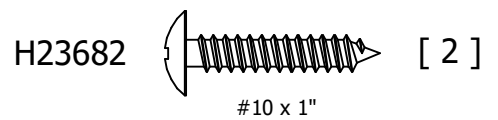
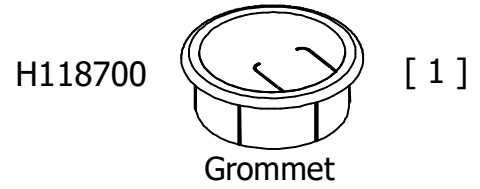
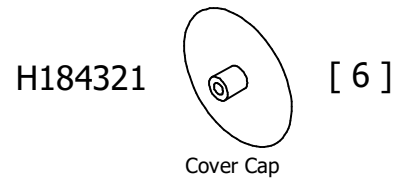
PARTS LIST

A210791

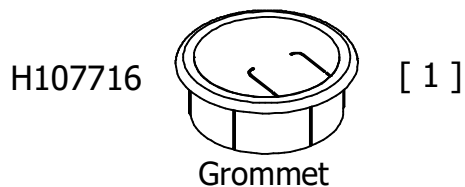
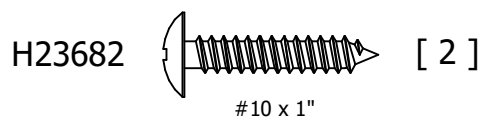
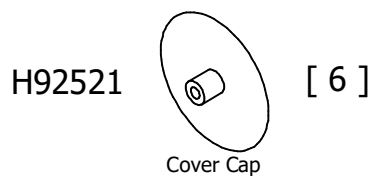
WC31844		
LABEL CODE	QTY	PART NUMBER
A	1	W210773
B	1	W210774
C	1	W210775



WC31444		
LABEL CODE	QTY	PART NUMBER
A	1	W210776
B	1	W210777
C	1	W210778



WC31744		
LABEL CODE	QTY	PART NUMBER
A	1	W210782
B	1	W210783
C	1	W210784



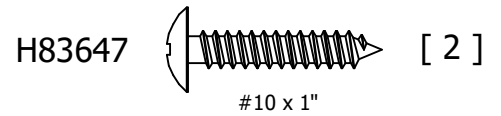
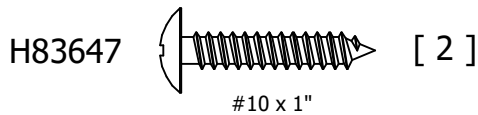
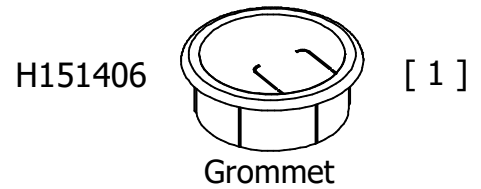
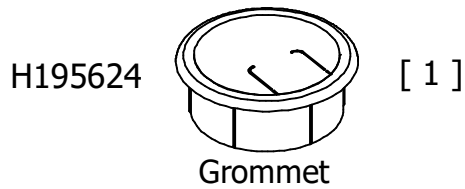
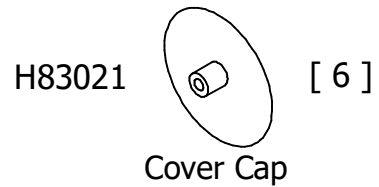
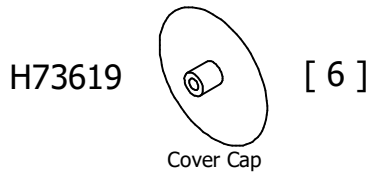
Have an assembly question or need a replacement part? Just call
1-800-950-4782, we are here to help.

PARTS LIST

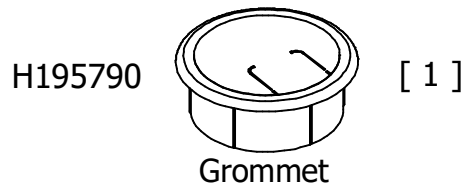
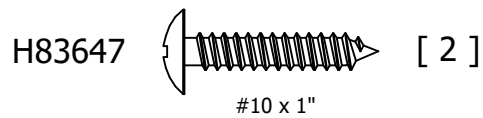
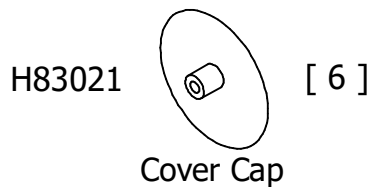
A210791

WC31944		
LABEL CODE	QTY	PART NUMBER
A	1	W210785
B	1	W210786
C	1	W210787

WC31244		
LABEL CODE	QTY	PART NUMBER
A	1	W210788
B	1	W210789
C	1	W210790



WC31344		
LABEL CODE	QTY	Parts List
A	1	W213898
B	1	W213899
C	1	W213900



Have an assembly question or need a replacement part? Just call
1-800-950-4782, we are here to help.