

KALLISTA®

Per Se® by KALLISTA Deck-Mount Bath Faucet with Diverter P24703-LV

Features

- A selection of products within this collection is in stock and ready to ship. Please visit kallista.com/resources/ReadyToShip for the complete list of Ready-to-Ship products and finishes
- High-quality solid metal construction for durability and reliability
- Widespread bath faucet for 8" (203 mm) - 26" (660 mm) centers
- Required rough-in sold separately (P19304-00-NA)
- Required handshower and handshower trim sold separately
- Spout reach is 5-11/16" (144 mm)

Required Products/Accessories

For deck-mount installation

P19304-00 Deck-Mount Bath Valve with Diverter

or

P21663-00 Handshower Trim

or

P24761-00 Handshower with Hose

Adapters, Rough-in and Extension Kits

P19304-00 Range: 3/16" (5 mm) -
4-1/2" (114 mm)

Recommended Products/Accessories

P50045-00 Large Rectangular Bathtub
P21930-00 Contemporary Drain Trim Kit
P34700-00 Towel Bar, 24"
P24736-LV Sink Faucet, Tall Spout, Lever Handles



CSA B651

OBC

Codes/Standards

ASME A112.18.1/CSA B125.1

EPA WaterSense®

ICC/ANSI A117.1

CSA B651



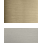


OBC

KALLISTA® Five-Year Limited Warranty

See website for detailed warranty
information.

Available Colors/Finishes

Color tiles intended for reference only.

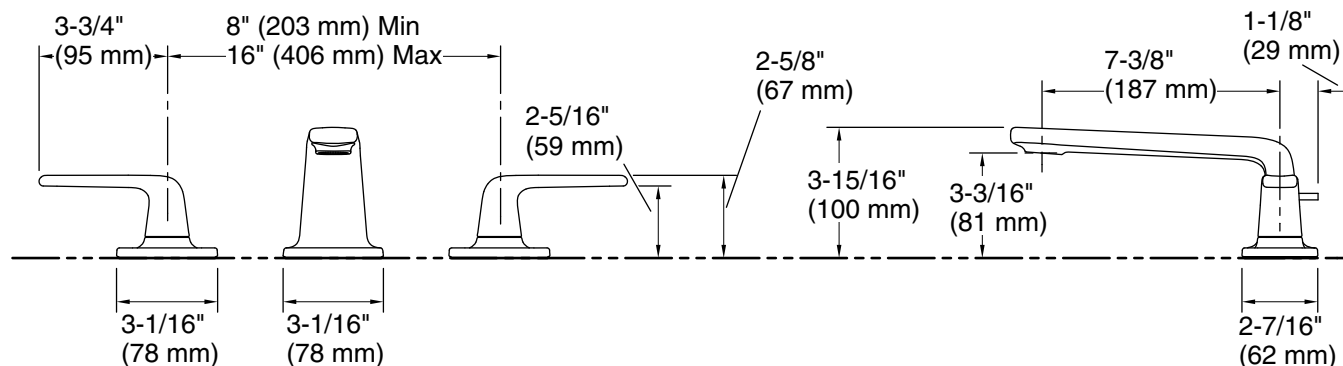
Color	Code	Description
	CP	Polished Chrome
	AF	French Gold
	BAF	Brushed French Gold
	BN	Brushed Nickel
	SN	Polished Nickel

1-888-4-KALLISTA (1-888-452-5547)

Kallista reserves the right to make revisions without notice to product specifications.

For the most current Specification Sheet, go to www.kallista.com.

5-8-2025 19:57 - US/CA



Technical Information

All product dimensions are nominal.

Faucet flow rate: 2.2 gal/min (8.3 l/min)

Spout:

Spout reach: 7-3/8" (187 mm)

Pressure/fixture Supply Requirements

Min flow rate: 1.2 gpm (4.5 lpm)

Notes

Install this product according to the installation instructions.

OBC, CSA B651 compliant when installed to the specific requirements of these regulations.