



AJAX OUTDR WALL LGT W/CAGE BLK ASSEMBLY/INSTALLATION INSTRUCTIONS

Item # 588422

Please read carefully and save these instructions, as you may need them at a later date.

CAUTION

WARNING: For fixtures labeled for outdoor and wet location use, provide a water-tight seal between the fixture and the wall surface by using silicone or similar caulking. Turn off the main power at the breaker before installing or service the fixture.

GENERAL

All electrical connections must be in accordance with local and National Electrical Code (N.E.C) standards. If you are unfamiliar with proper electrical wiring connections obtain the services of a qualified electrician.

Remove the fixture and mounting package from the box and make sure that no parts are missing by referencing the illustrations on the installation instructions.

TOOLS REQUIRED

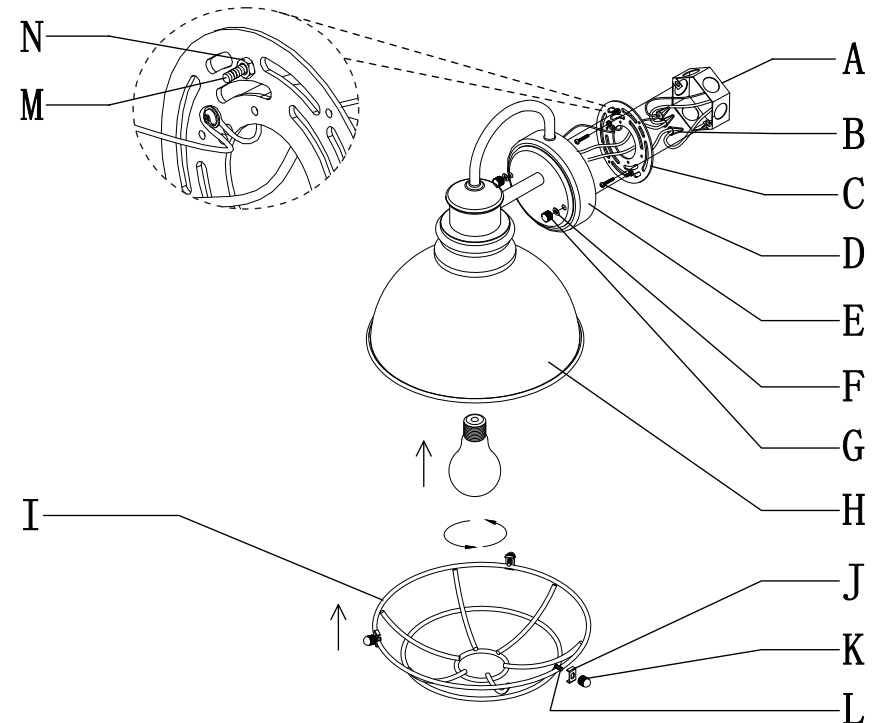
Phillips screwdriver

ASSEMBLY AND INSTALLATION

1. Carefully unpack and identify all parts referring to the illustration.
2. Attach the CROSS BAR (C) to the OUTLET BOX (A) with the OUTLET BOX SCREWS (D) and adjust the length of the MOUNTING SCREWS (M) on CROSS BAR (C) with the HEX NUT (N).
3. Install the bulb (not included), see wattage label at socket area or packaging for maximum allowed wattage.
4. Unscrew the BALL NUTS (K) and the U SLOT(J) from the CAGE (I), attach the CAGE (I) to the SHADE(H), use the U SLOT(J) to hold the edges of SHADE (H) and the CAGE (I), then screw the BALL NUTS (K) to the SCREWS (L) tightly.

*IF IN DOUBT ABOUT ELECTRICAL
INSTALLATION, CONSULT A LICENSED
ELECTRICIAN.*

5. Pull out the outlet wires and the house grounding wire from the outlet.
6. Make wire connections with WIRE NUTS (B).
 - connect the black fixture wire to live supply wire.
 - connect the white fixture wire to neutral supply wire.
 - connect the fixture ground wire to the supply ground wire or attach the fixture ground wire to the cross bar with the green screw, then attach to the supply ground wire.
7. Carefully tuck the wires and WIRE NUTS (B) into the outlet box.
8. Fasten the BACK PLATE (E) to the OUTLET BOX (A) with the PLASTIC WASHERS (F) and the BALL NUTS (G).
9. To prevent moisture from entering the outlet box and the fixtures back plate causing a short, apply a bead of clear caulking to outline the outside of the fixtures back plate where it meets the wall. Leave a small space at the bottom to allow any condensation or moisture to escape.
10. Turn on the power at the main fuse or circuit breaker box.



Customer Service: 1-800-558-8700