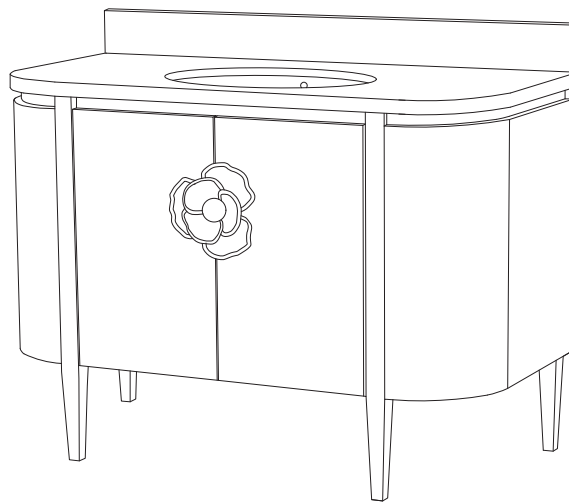


CURREY

& C O M P A N Y

PRODUCT INSTRUCTIONS

Briallen 48" Bath Vanity
with Undermount Sink
SKU# 3800-0001 / 3800-0002



PRODUCT INSTRUCTIONS - BATH VANITY

ENGLISH: Do not dispose of any packaging or contents of the shipping carton until assembly is completed to avoid accidentally discarding small parts or hardware.

FRANÇAIS: Ne jetez rien des produits d'emballage et du contenu de la boîte jusqu'à ce que l'assemblage soit terminé, afin d'éviter de jeter par mégarde de petites pièces ou des morceaux.

ESPAÑOL: Para evitar desechar accidentalmente las partes pequeñas o las piezas de ferretería, no tirar el embalaje o contenido de la caja hasta que el ensamblaje esté completo.

BEFORE YOU BEGIN:

- The vanity is fully assembled including the marble top and sink.
- The backsplash is included but will need assembly if you choose to use it. This carton is labeled "MARBLE BACKSPLASH".
- The faucet is not included.
- All drawers are shipped in place and use under-mount soft close drawer slides.
- All doors are shipped in place and use adjustable/detachable soft close door hinges.
- Flower Hardware is shipped in a separate carton fixed to bottom of the carton, underneath the vanity. This carton is labeled "HARDWARE".
- Optional Wooden Trays (x2) are shipped inside the carton labeled "2 TRAYS". These trays are optional and can be affixed to the inside of the cabinet using the permanent 3M™ VHB™ tape that is affixed to the back of the trays.
- The Anti-Tip kit is shipped along with the Product Instructions. This is to be used ONLY if you are NOT attaching the vanity to the wall, which is recommended.

SAFETY:

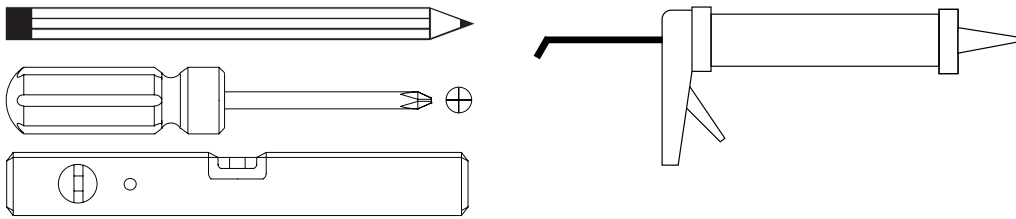
- Please have 3 or more people helping lift or carry the vanity to its desired location.
- Please carry the vanity upright with the marble top facing up. Failure to do so may cause harm.
- Do not try to remove the marble top from the cabinet as it is glued and screwed. The sink is also fixed with silicone adhesive and support brackets that have a locking adhesive.

- Make sure to observe all local plumbing codes.
- We recommend a licensed plumber or contractor to install the vanity and all plumbing.
- Prior to installation, unpack and inspect both the cabinet and marble top and vitreous China sink for damage.
- Locate the installation parts package and put in a safe place—you will need this for installation.
- Installation assumes that walls and floor are plumb and level. Please make appropriate adjustments for other conditions.
- Remove any molding that may prevent the console from being set flush to the finished wall.

PRODUCT INSTRUCTIONS - BATH VANITY

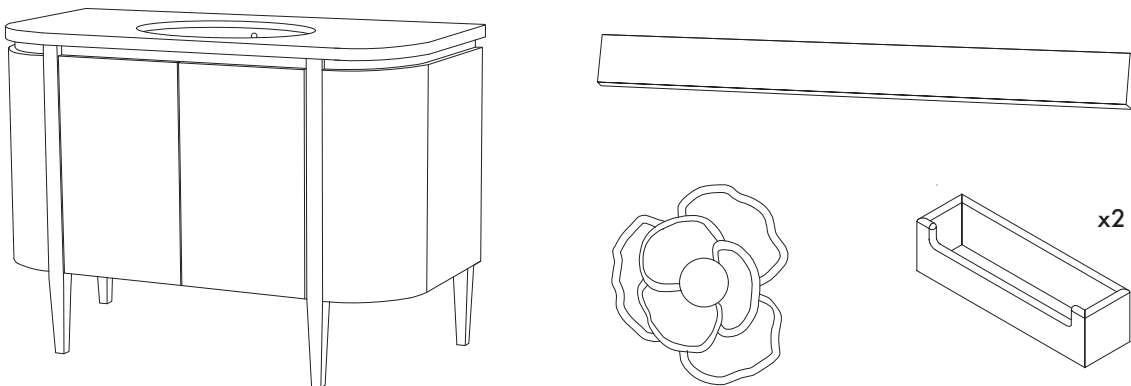
TOOLS AND MATERIALS:

- Tape Measure
- Pencil
- 2 Levels - (18" or more EACH is recommended)
- Drill with appropriate drill and driver bits (ONLY TO ATTACH VANITY TO WALL)
- Eye protection
- Clear 100% silicone adhesive caulk
- Screws (for securing console to building framing)



PRODUCT AND PARTS INCLUDED:

- 1 x Assembled vanity
- 1 x Marble backsplash - inside box labeled "MARBLE BACKSPLASH"
- 1 x Solid brass flower hardware - inside box labeled "HARDWARE"
- 2 x Solid wood trays (optional use) - inside box labeled "2 TRAYS"



PRODUCT INSTRUCTIONS - CARE INSTRUCTIONS

CARE INSTRUCTIONS: Marble Top and Cabinet

- Dust often using a clean, soft, dry and lint-free cloth.
- Immediately blot up water and spills, then wipe with a clean, damp cloth.
- We do not recommend the use of chemical cleansers, abrasives or furniture polish on our lacquered cabinet finishes.
- Marble is a natural material, the amount of veining and coloration will vary which is part of its inherent beauty.
- Marble is sensitive to acid, as it's kind of natural stone, and consists mainly of calcium carbonate; please remove wine or fruit juice immediately from the surface of marble top.
- We strongly advise to avoid using acidic cleaners.
- The marble is polished and sealed at the factory. Re-apply sealer every year. Consult with a professional at your local home supply store regarding marble sealer.
- Clean frequently with a clean soft damp cloth. Use a mild liquid detergent and warm water.
- Avoid all types of abrasive cleaners and rough cleaning pads.
- Do not use any products that contain acids on the marble as this can cause the finish to dull.
- Liquid spills should be cleaned up promptly.
- Placing protective pads on the bottom of any heavy objects will help prevent scratching of the marble surface.
- Do not place extremely heavy items on the marble top.

PRODUCT INSTRUCTIONS - BATH VANITY INSTALLATION

INSTALLATION:

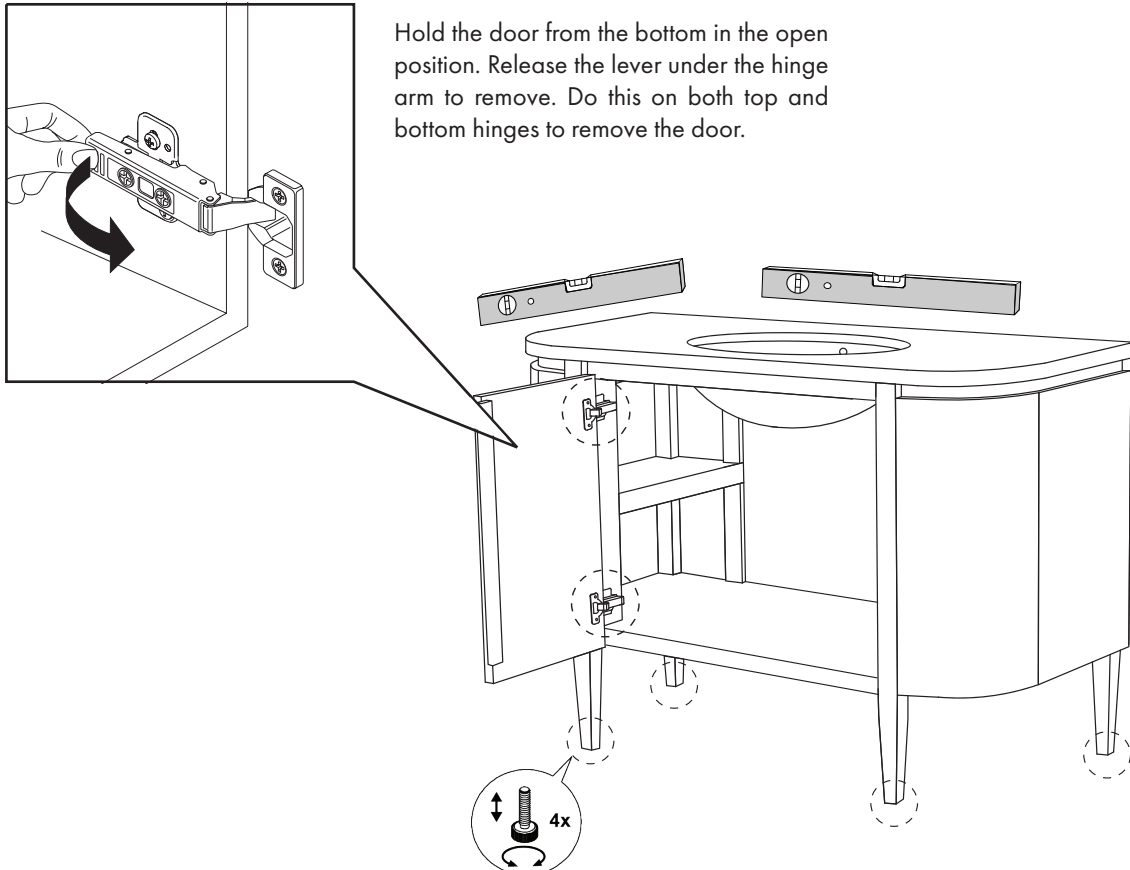
- Make sure to observe all local plumbing codes. We recommend a licensed plumber or contractor to install the vanity and all plumbing.

TEST FIT THE VANITY BASE:

- Remove all HARDWARE and ADDITIONAL HARDWARE cartons and keep nearby.
- REMOVE THE 2 DOORS FROM THE VANITY by releasing the lever under the hinge arm. This will disconnect the hinge from the hinge plate. No tools are required. Mark the locations of the doors (left/right) and set aside in a safe place.

POSITION THE VANITY:

- Position the vanity base in the desired location against the finished wall.
- Remove baseboard as needed.
- Verify that the vanity base is level: front to back and side to side. Adjust the levelers at the bottom of the legs as necessary.



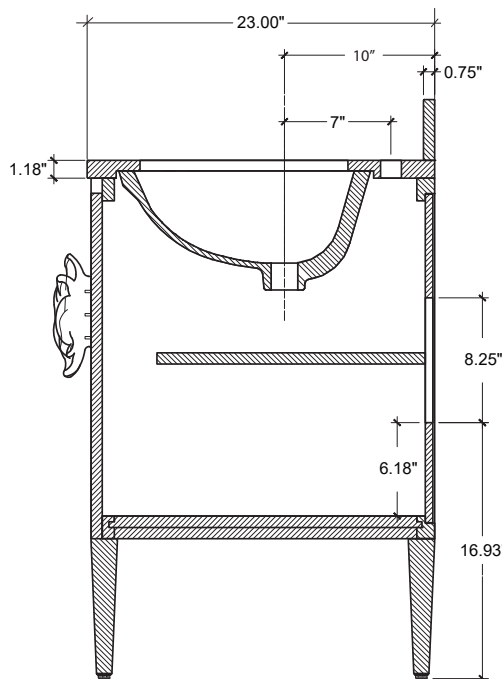
PRODUCT INSTRUCTIONS - BATH VANITY INSTALLATION

ATTACH THE VANITY BASE TO THE WALL:

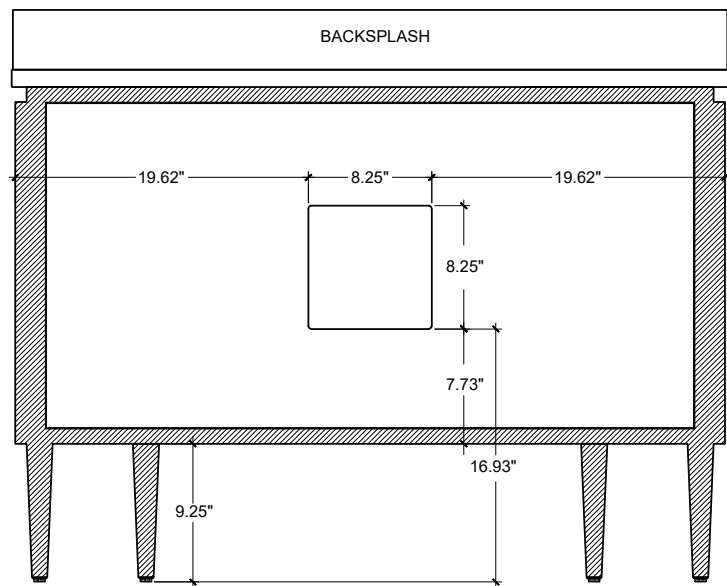
- Locate two wall studs to secure the vanity base to the wall. Make sure to avoid plumbing. Mark these locations on the back of the vanity base.
- Drill pilot holes through the back rail and into the studs.
- If necessary, provide shims between vanity and back rail so the vanity base is not distorted. Using screws (not supplied), secure the vanity base to the wall. Do not use wall anchors.

CONNECT FAUCETS AND PLUMBING:

- Keep these clearances in mind when routing the plumbing.
- We recommend using a licensed plumber and or contractor.



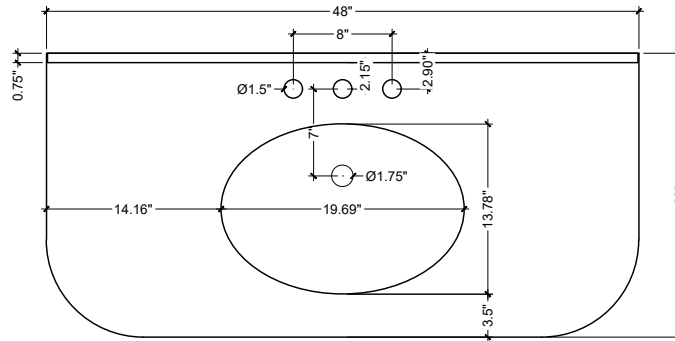
SIDE SECTION VIEW



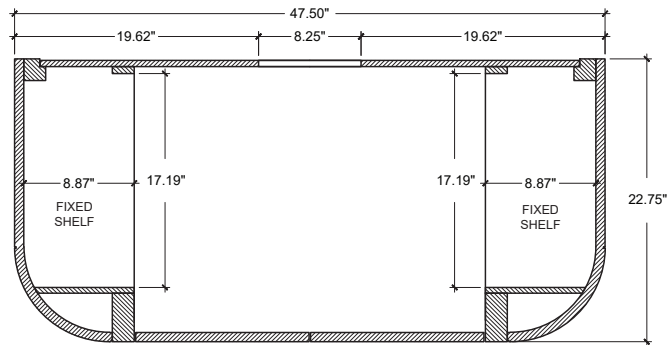
BACK VIEW - PLUMBING CUT OUT

PRODUCT INSTRUCTIONS - BATH VANITY INSTALLATION

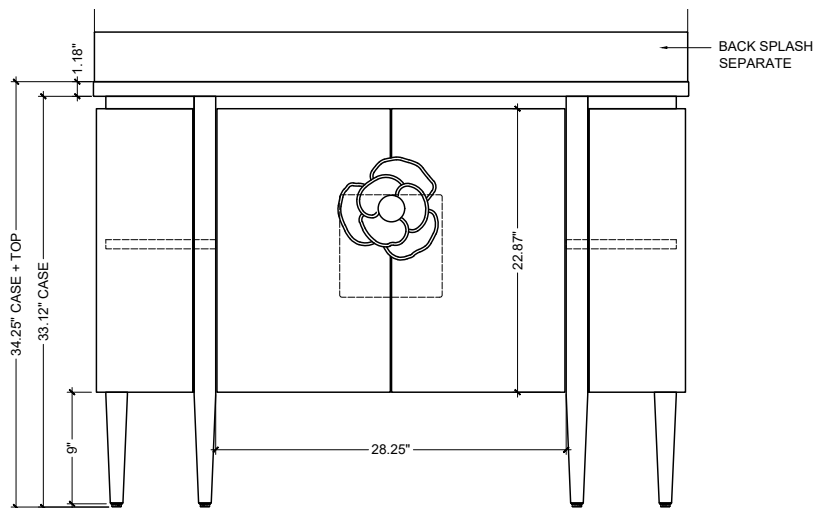
DIMENSIONS: *dimensions are listed as the decimal equivalent of fractional inches, most dimensions have been converted from millimeters.



TOP VIEW - MARBLE TOP



TOP VIEW / SECTION - WITHOUT MARBLE TOP

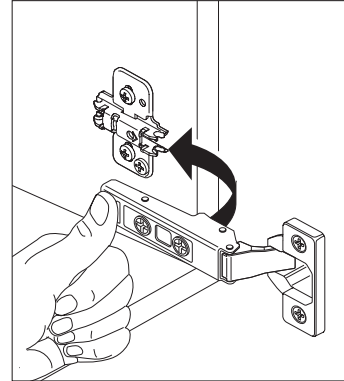


FRONT VIEW

PRODUCT INSTRUCTIONS - BATH VANITY INSTALLATION

RE-INSTALL DOORS:

- Make sure the doors go back to their original location (left/right, top/bottom).
- To install, place the hinge on the hooks seen at the front of the hinge plate and push the back of the hinge arm down. The "click" sound confirm a secure attachment.
- The doors can be adjusted as needed to create an even gap line around the doors. This should be done after the doors are attached to the hinge plates.

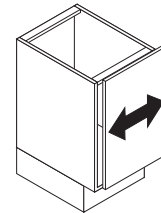
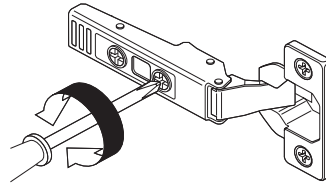


ADJUSTING DOORS:

Make sure the bath vanity is level prior to adjusting doors.

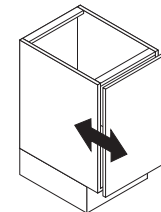
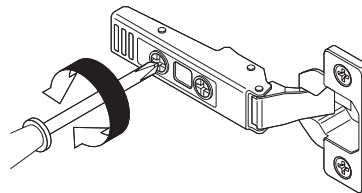
SIDE ADJUSTMENT:

Rotate the FRONT screw to adjust the door overlay from right to left. (+/- 2mm)



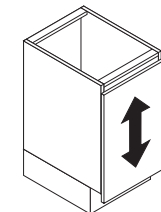
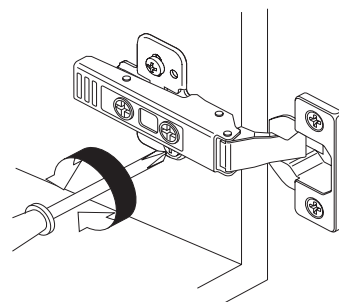
DEPTH ADJUSTMENT:

Rotate the BACK cam screw to adjust the door in and out. (+/- 3mm)



HEIGHT ADJUSTMENT:

Rotate the cam screw on the MOUNTING PLATE to adjust the height of the doors up and down. (+/- 3mm)



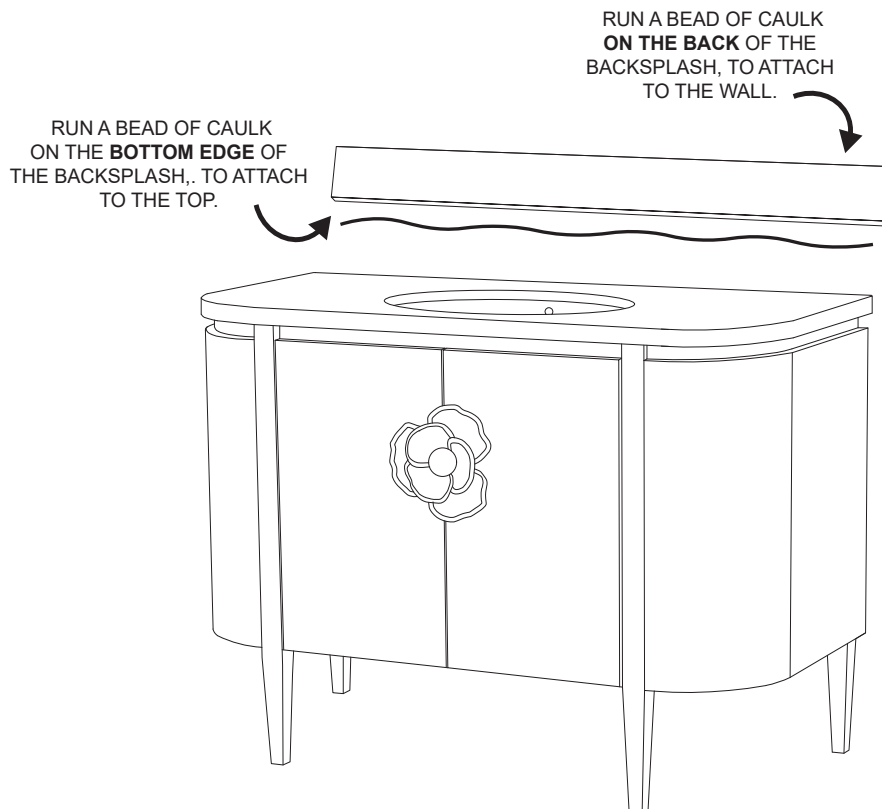
PRODUCT INSTRUCTIONS - BATH VANITY INSTALLATION

ATTACH THE FLOWER HARDWARE:

- Use the 3 screws to attached the flower hardware to the right door.
- There are 3 holes pre-drilled on the door to align the hardware.
- Use a screwdriver. Do not use an electric screwdriver as this may over tighten the hardware.

ATTACH THE MARBLE BACKSPLASH:

- Once satisfied with the vanity installation, the backsplash can be attached to the top of the vanity and the wall.
- Apply a bead of caulk on the **BACK** and **BOTTOM EDGE** of the backsplash.
- Press against wall and align evenly side to side.
- Hold in place with blue painter's tape until caulk cures (typically 12-24 hrs.).



PRODUCT INSTRUCTIONS - BATH VANITY INSTALLATION

INSTALL THE 2 WOODEN TRAYS: THIS IS OPTIONAL

- **WARNING:** the 3M™ VHB™ tape on the back of the trays is permanent and cannot be removed or adjusted.

Trying to remove it once placed, will damage the finish on the doors or elsewhere inside the cabinet.

- *Double check the placement on the door and it's relation to the inside of the cabinet to be sure it will not interfere with any shelving or interior components when the door is closed.
- It is highly recommend use a small level when placing the trays to guarantee the trays are level.
- To attach the tray to the inside of the doors, peel the cover from the tape and place the tray on to the door using a level to be sure it's level. Be sure to support the door from the back to not overextend the door hinges when applying pressure. The tape is pressure sensitive, be sure to firmly push the tray onto the door for a minimum of 30 seconds.
- Do not add items or weight to the inside of the tray for a minimum of 4 hours to allow the tape to fully adhere.

