

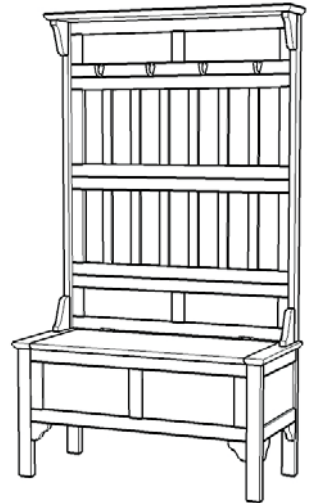
88 5650 49 Hall Tree & Storage Bench

IMPORTANT NOTE

Carefully remove all the parts from the carton and put them individually on a soft cloth to prevent scratches or other damages occurring to the parts.

We have taken great care in the design of this product and request that you carefully and strictly follow our assembly instructions to ensure a completed product as it was designed.

Home Styles



BASE UNIT PART LIST



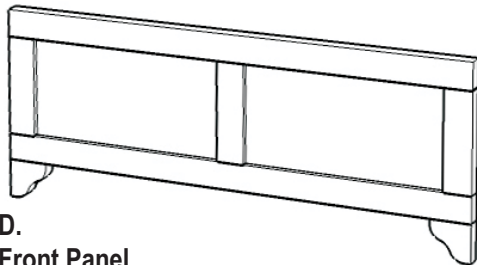
A.
Seat
1 pc.



B.
Side Panel
1 pc.

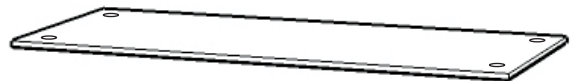


C.
Side Panel
1 pc.



D.
Front Panel
1 pc.

E.
Back Panel
1 pc.



F.
Base
1 pc.

HARDWARE LIST



Hex Wrench
1 pc.



Small Hex Wrench
1 pc.



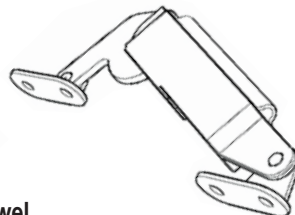
Head Cap Bolt (short)
3 pcs.(+ 1 extra)



Head Cap Bolt (long)
8 pcs.(+1 extra)



Cross Dowel
8 pcs.(+1 extra)



Spring Support
1 pc.



Wood Screw (for Spring Support)
4 pcs.(+1 extra)



Wood Plug
8 pcs. (+1 extra)

Tools Required For Assembly : **Phillips** screwdriver

Tools recommended for assembly :Level

Home Styles Consumer Assistance Line 888-680-7460 and 877-831-0319

servicedesk@homestyles-furniture.com

Revised date : 05Sep2011

Assembly Instructions

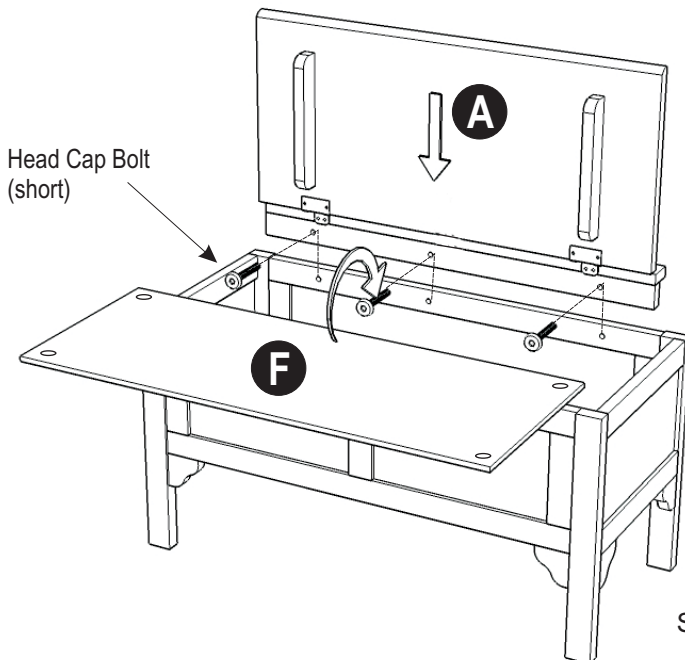
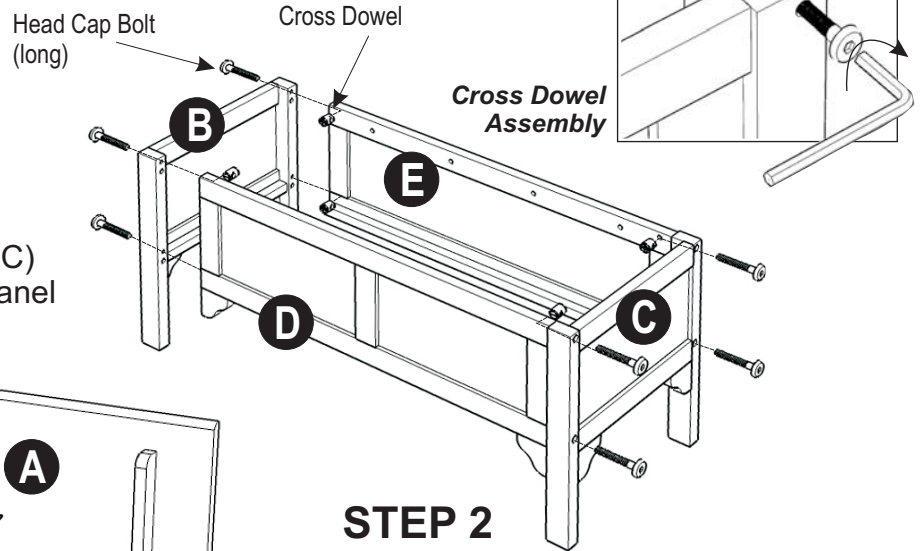
IMPORTANT

- * Do not tighten up all the screws until each part is properly assembled.
- * You should keep Hex Wrench in a safe place as you may need to tighten up the Head Cap Bolts in the future.
- * After assembly item must be level to work properly. Use the included adjustable levelers to level.

STEP 1

Insert Cross Dowels into the holes of Front Panel (D) and Back Panel (E).

Attach the Side Panel (B) and (C) to the Front Panel and Back Panel with Head Cap Bolts.



STEP 2

Attach the Seat (A) to the assembled unit with Head Cap Bolts (short).

Put the Base (F) into the storage.

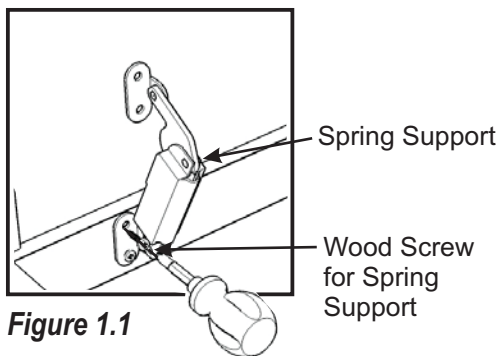


Figure 1.1

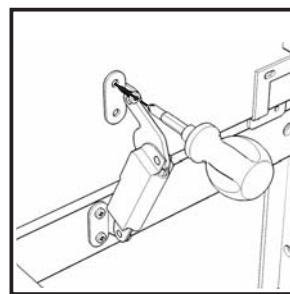
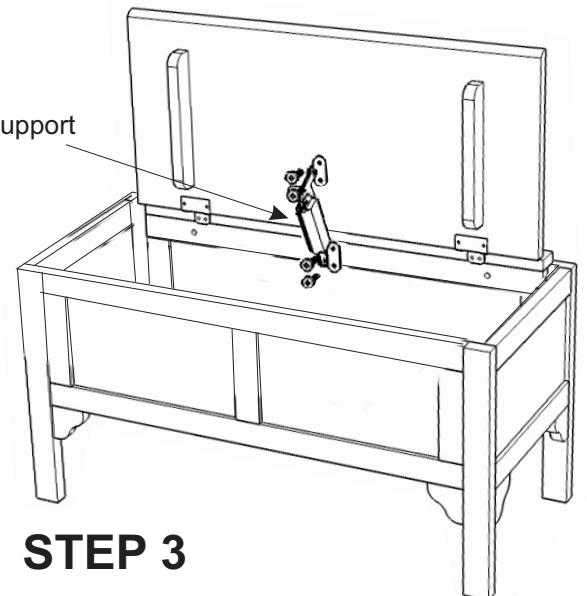


Figure 1.2



STEP 3

Attach Spring Support to the unit with Wood Screws into the pre-drilled holes. (see Figure 1.1, 1.2, 1.3)

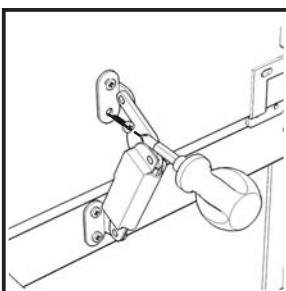
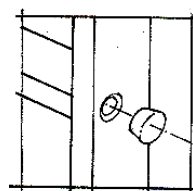


Figure 1.3



STEP 4

Cover all holes with Plugs.

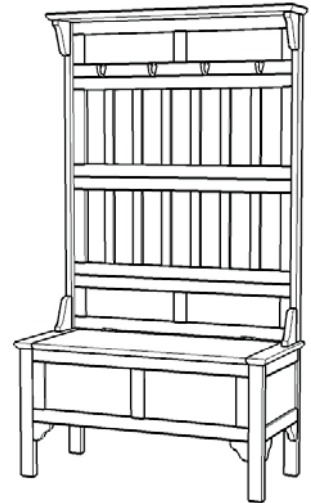
88 5650 49 Hall Tree & Storage Bench

IMPORTANT NOTE

Carefully remove all the parts from the carton and put them individually on a soft cloth to prevent scratches or other damages occurring to the parts.

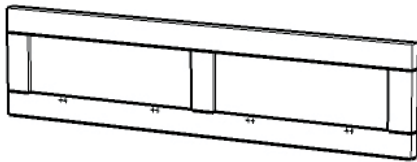
We have taken great care in the design of this product and request that you carefully and strictly follow our assembly instructions to ensure a completed product as it was designed.

Home Styles

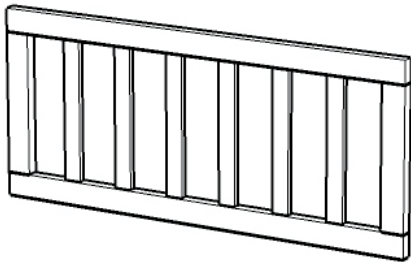


TOP UNIT PART LIST

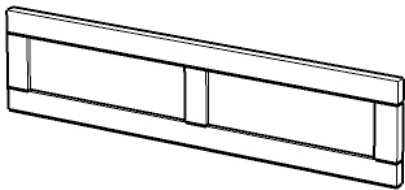
G.
Top
1 pc.



J.
Upper
Back Frame
1 pc.

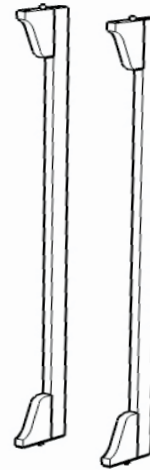


K.
Back Frame
2 pcs.



L.
Lower
Back Frame
1 pc.

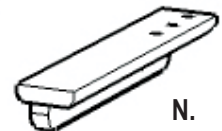
H.
Side Panel
1 pc.



I.
Side Panel
1 pc.



M.
Arm
1 pc.



N.
Arm
1 pc.

HARDWARE LIST



Head Cap Bolt
(short)
20 pcs. (+1 extra)



Hook
4 pcs.



Wood Screw
8 pcs.
(+1 extra)



Wood Plug
8 pcs.
(+1 extra)

Tools Required For Assembly : **Phillips** screwdriver

Tools recommended for assembly : Level

Home Styles Consumer Assistance Line 888-680-7460 and 877-831-0319

servicedesk@homestyles-furniture.com

Revised date : 29Aug2011

STEP 1

Attach the Hooks to the Upper Back Frame (J) with Wood Screws.
(See figure 2)

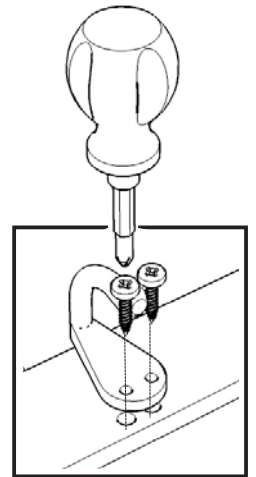
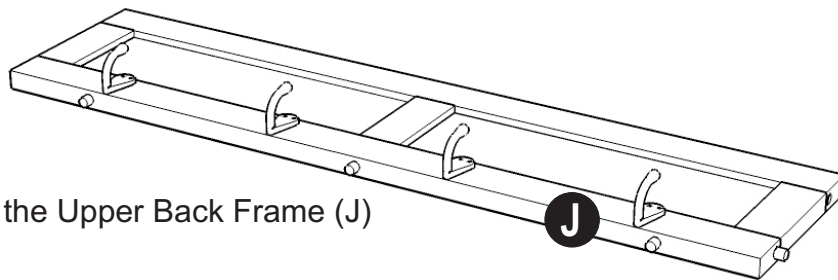
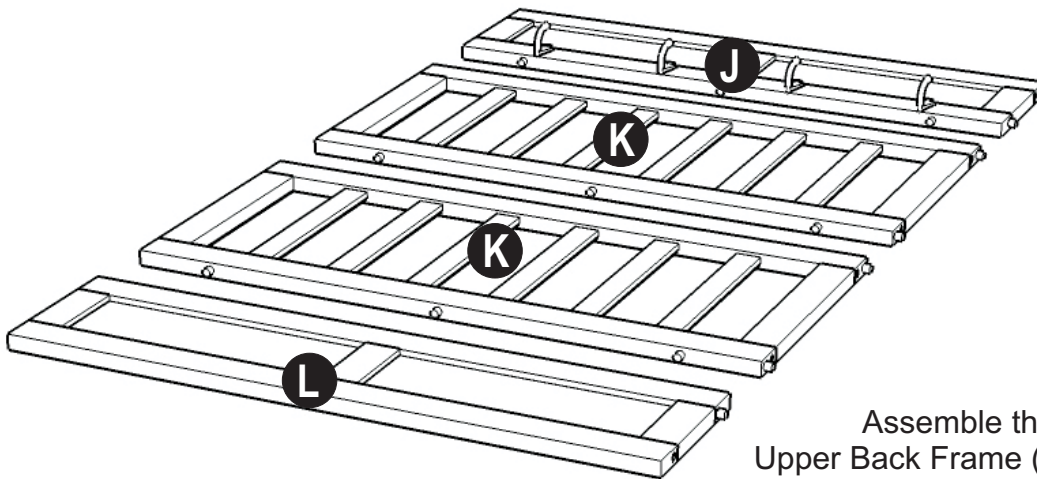
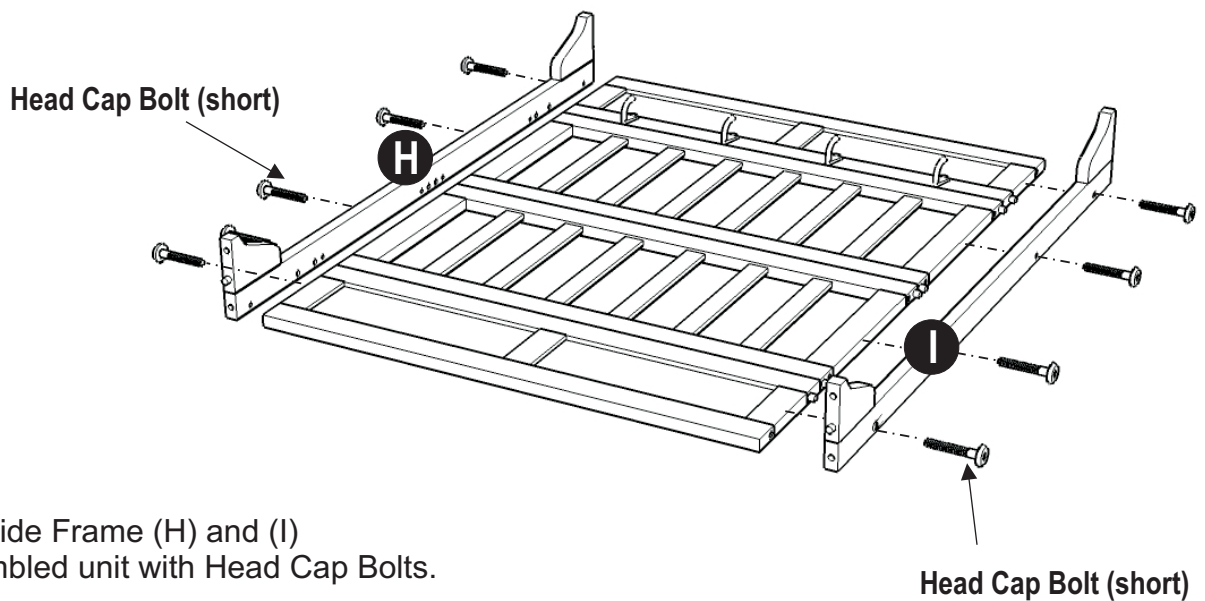


Figure 2



STEP 2

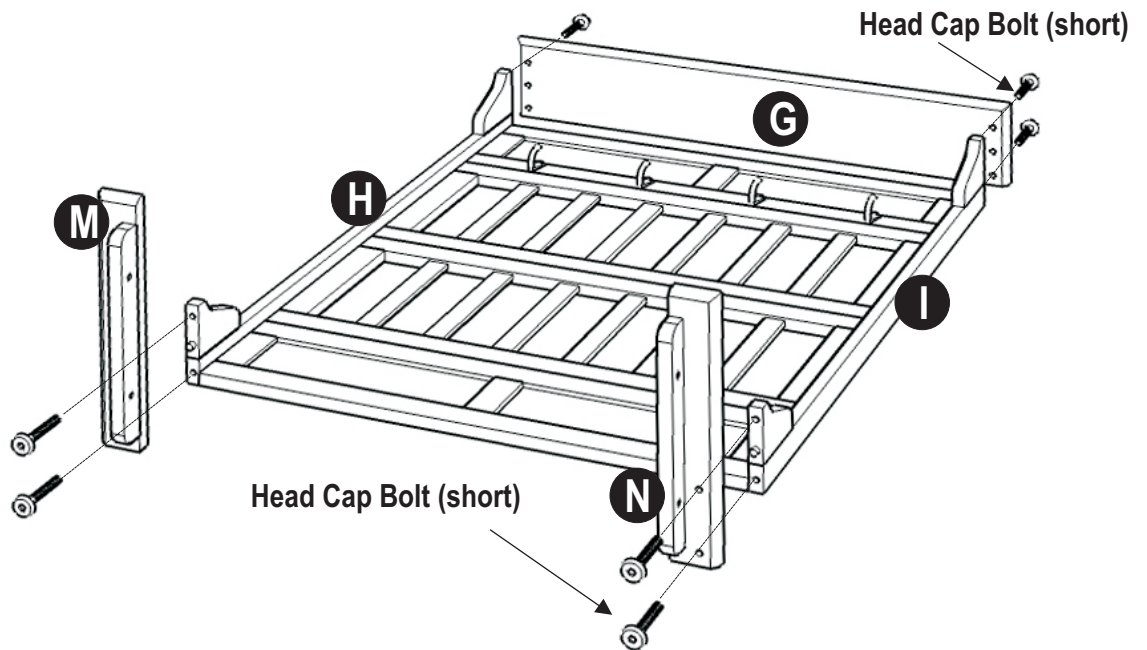
Assemble the Lower Back Frame (L), Upper Back Frame (J) and Back Frame (K).



STEP 3

Attach the Side Frame (H) and (I) to the assembled unit with Head Cap Bolts.

Head Cap Bolt (short)



STEP 4

Attach the Top (G) to the Side Panel (H) and (I) with Head Cap Bolts.

Attach the Arm (M) and (N) to the Side Panels with Head Cap Bolts.

STEP 5

Place the Top Unit onto the Base Unit and

attach with Head Cap Bolts.

To level the unit, adjust the adjustable levelers on the bottom of unit. (see Figure 2)

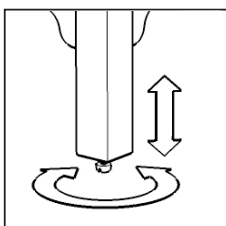
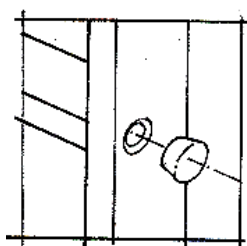


Figure 2



STEP 6

Cover all holes with Wood Plugs

