

# ONE COLLECT. SPREAD C.KING BED ASSEMBLY INSTRUCTIONS

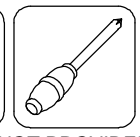
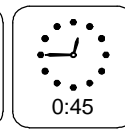
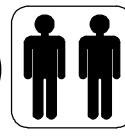


BOX 1 - HEADBOARD-FOOTBOARD				BOX 2 - SIDERAILS			
PART NO.	IMAGE	DESCRIPTION	QUANTITY	PART NO.	IMAGE	DESCRIPTION	QUANTITY
A		HEADBOARD PANEL	1	H		LEFT SIDERAIL	1
B		LEFT HEADBOARD WING	1	I		RIGHT SIDERAIL	1
C		RIGHT HEADBOARD WING	1	J		CENTER SLAT	1
D		HEADBOARD DRAWER BOX	2	K		LEG SUPPORT	4
E		FOOTBOARD	1	<b>BOX 3 - SLAT ROLL</b>			
F		CORNER SUPPORT	2	<b>PART NO.</b>	<b>IMAGE</b>	<b>DESCRIPTION</b>	<b>QUANTITY</b>
G		CORNER LEG SUPPORT	2	L		SLAT ROLL	1

### HARDWARE KIT PACKED IN BOX 1

1		ALLEN BOLT (6X50mm)	4
2		ALLEN BOLT (6X65mm)	6
3		FLAT HEAD BOLT (6X15mm)	16
4		METAL PLATE	4
5		PHILLIPS HEAD BOLT (8X20mm)	8
6		SPRING WASHER (M8)	8
7		FLAT WASHER (M8)	8
8		WOOD SCREW (8X30mm)	9
9		ALLEN BOLT (6X40mm)	15
10		ALLEN KEY	1

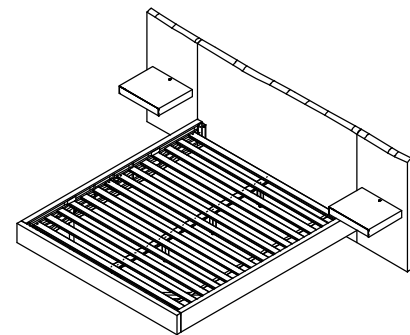
YOUR BOX MAY CONTAIN  
EXTRA HARDWARE



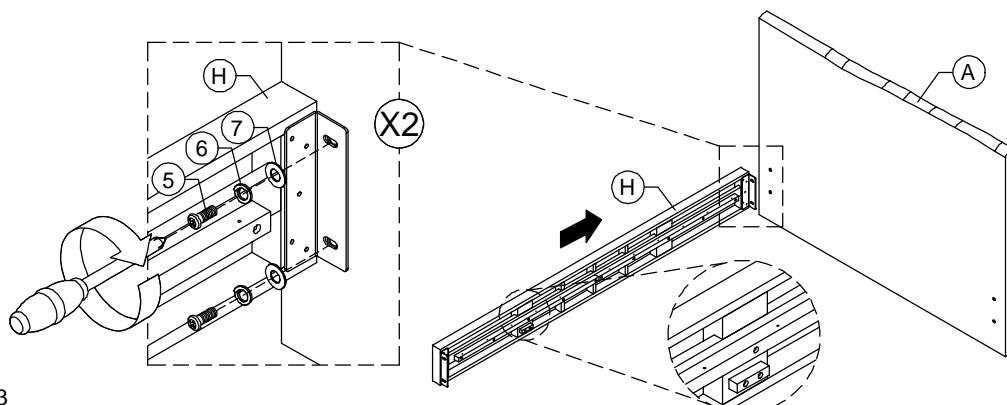
NOT PROVIDED

**ASSEMBLE ON A SOFT SURFACE**

FULLY ASSEMBLED



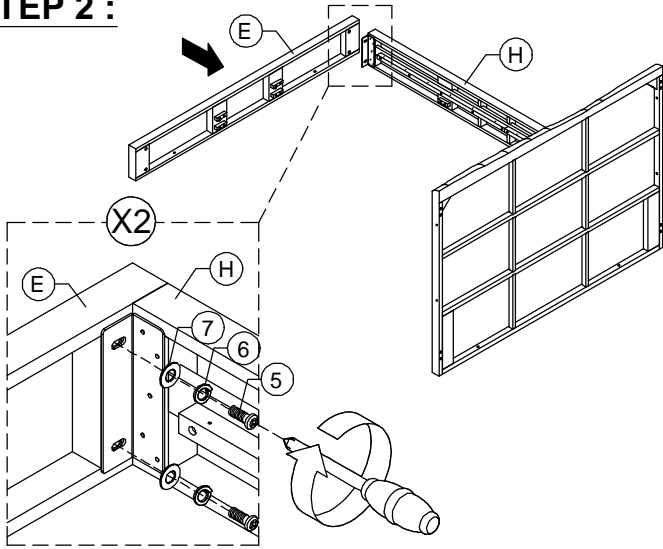
### STEP 1 :



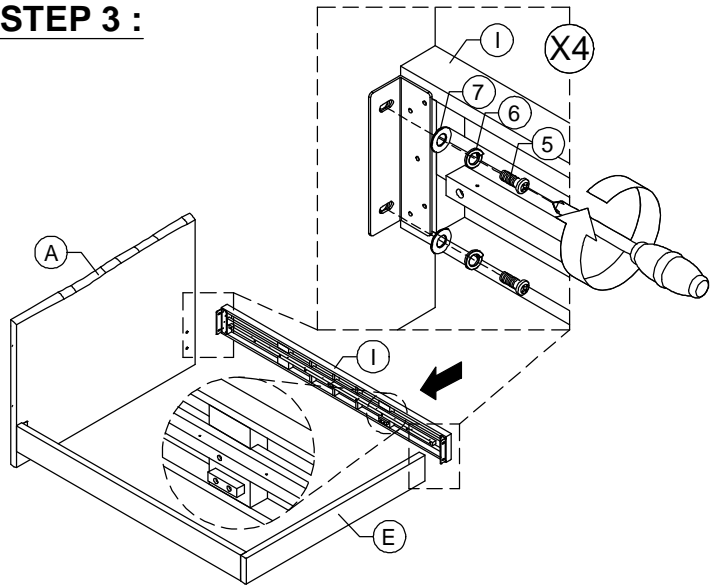
# ONE COLLECT. SPREAD C.KING BED ASSEMBLY INSTRUCTIONS



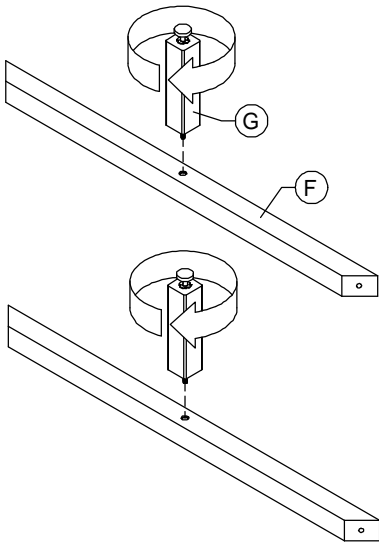
## STEP 2 :



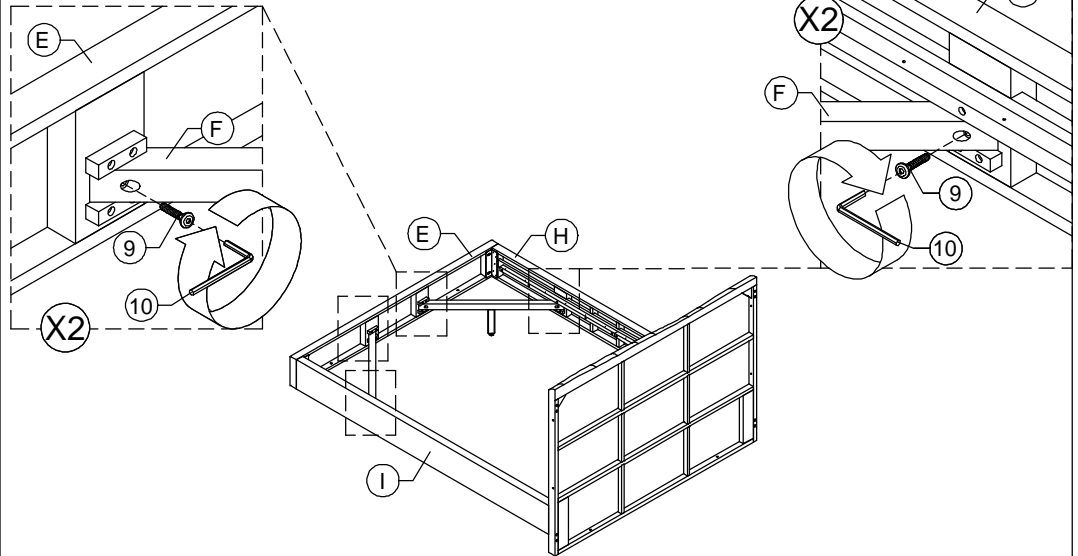
## STEP 3 :



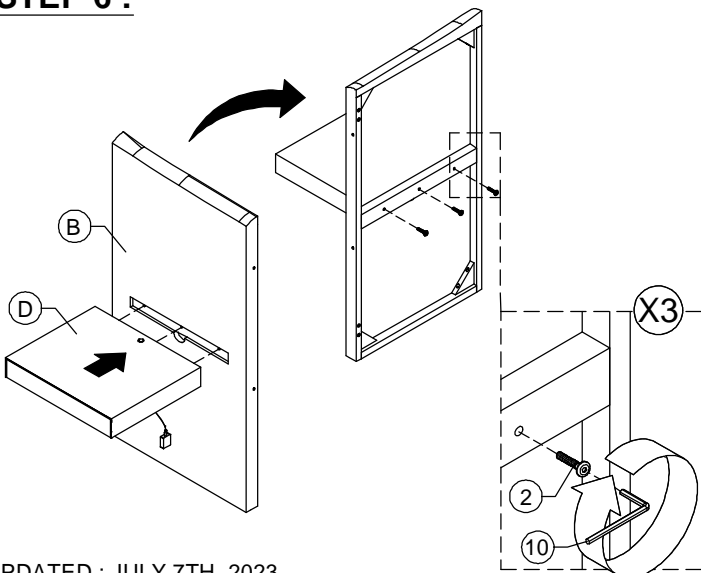
## STEP 4 :



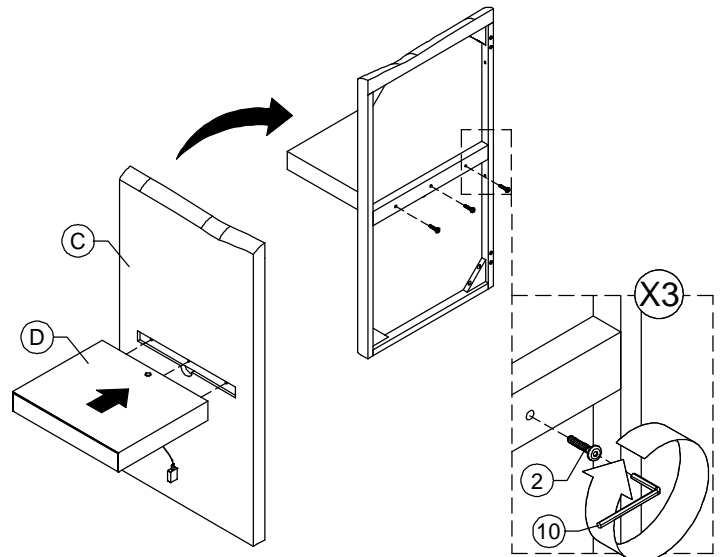
## STEP 5 :



## STEP 6 :



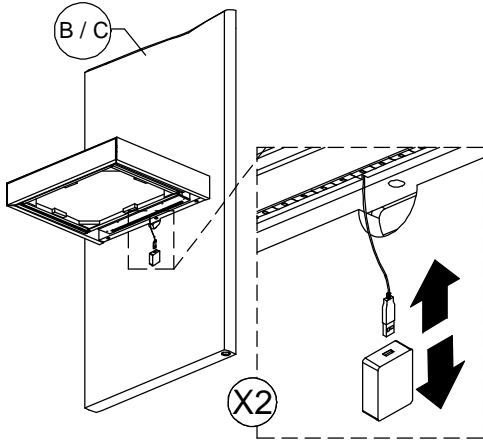
## STEP 7 :



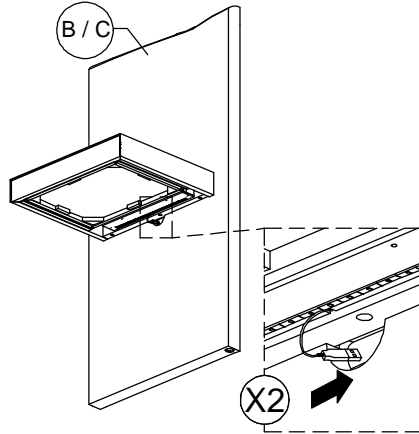
# ONE COLLECT. SPREAD C.KING BED ASSEMBLY INSTRUCTIONS



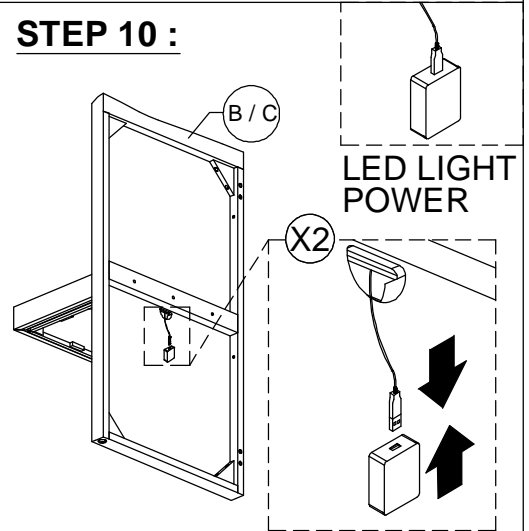
## STEP 8 :



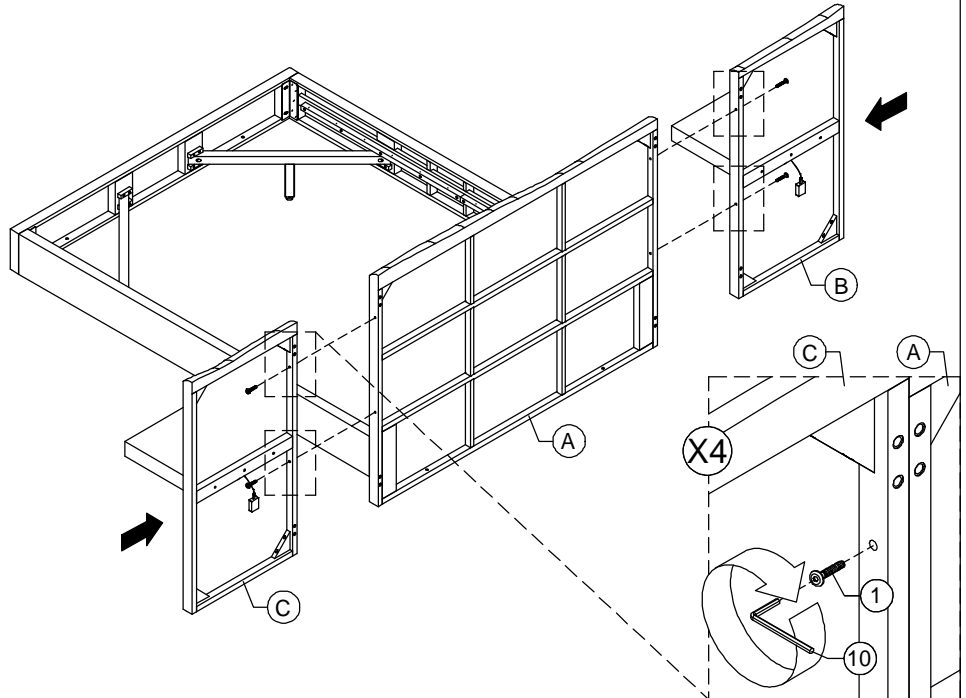
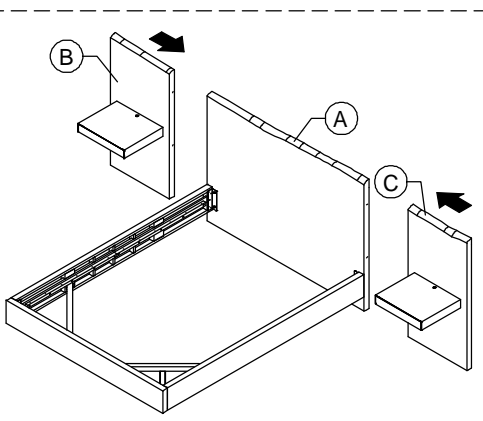
## STEP 9 :



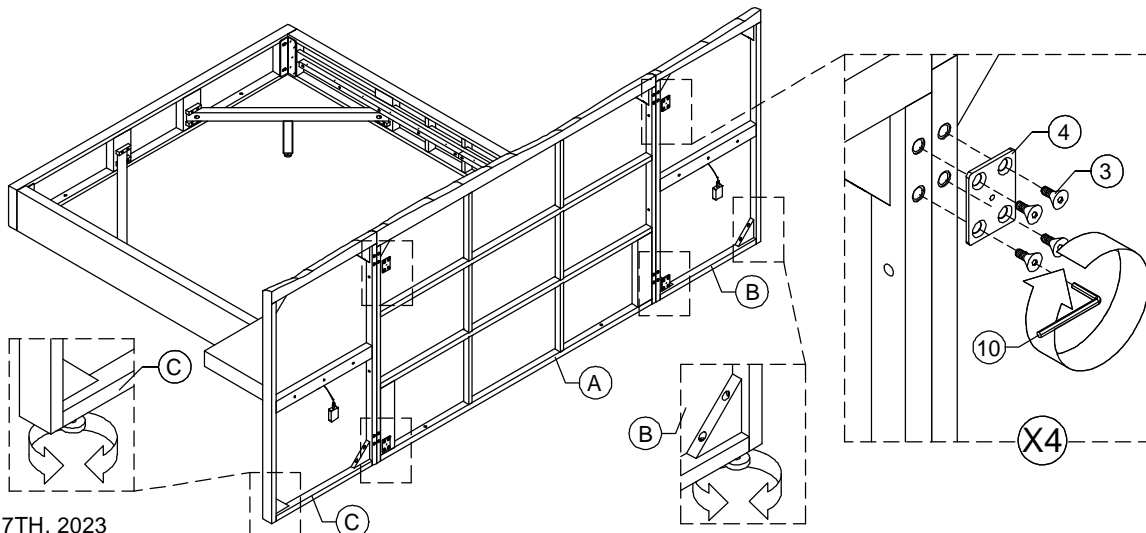
## STEP 10 :



## STEP 11 :



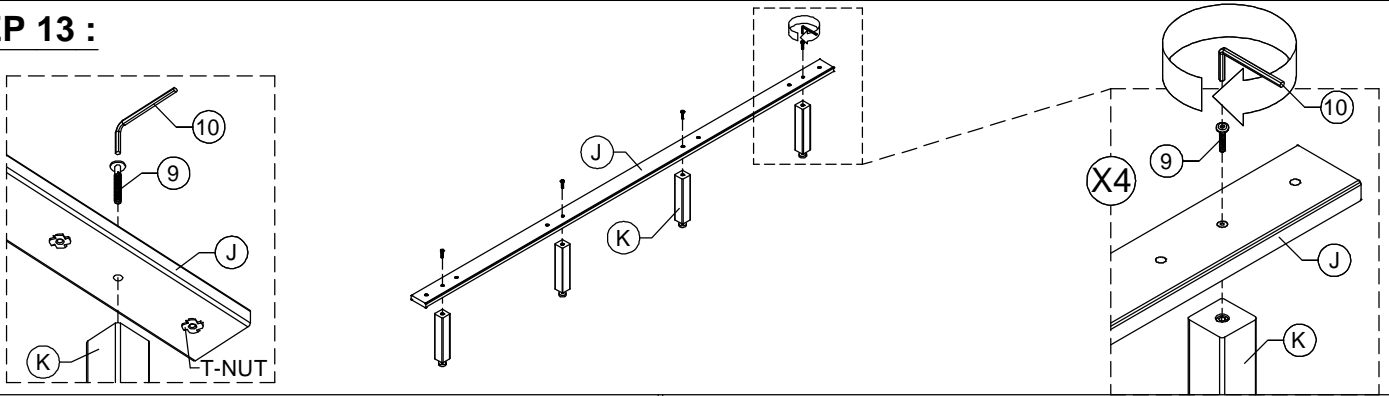
## STEP 12 :



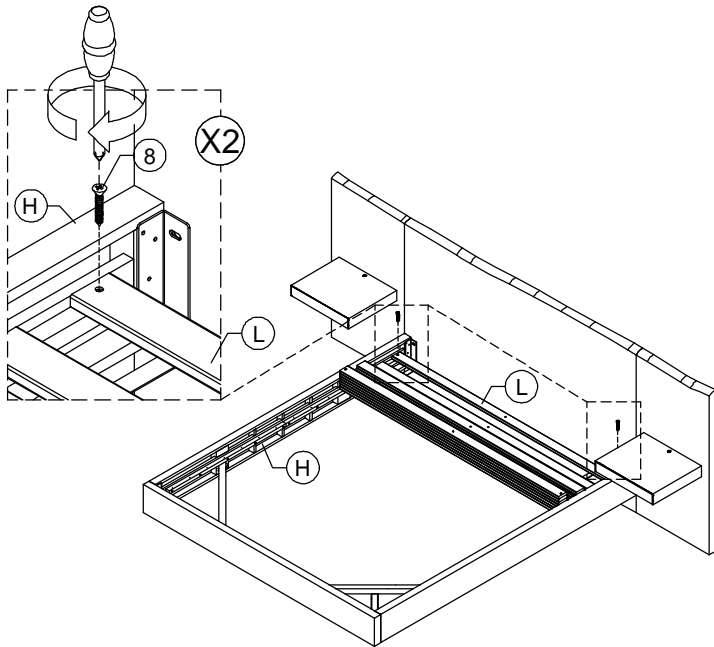
# ONE COLLECT. SPREAD C.KING BED ASSEMBLY INSTRUCTIONS



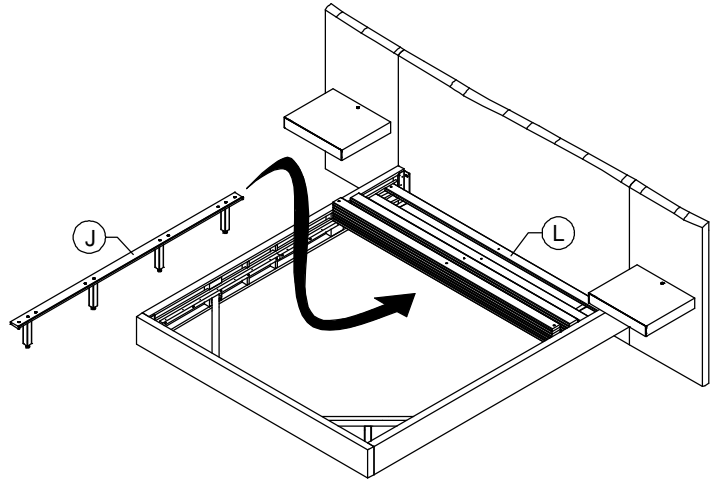
## STEP 13 :



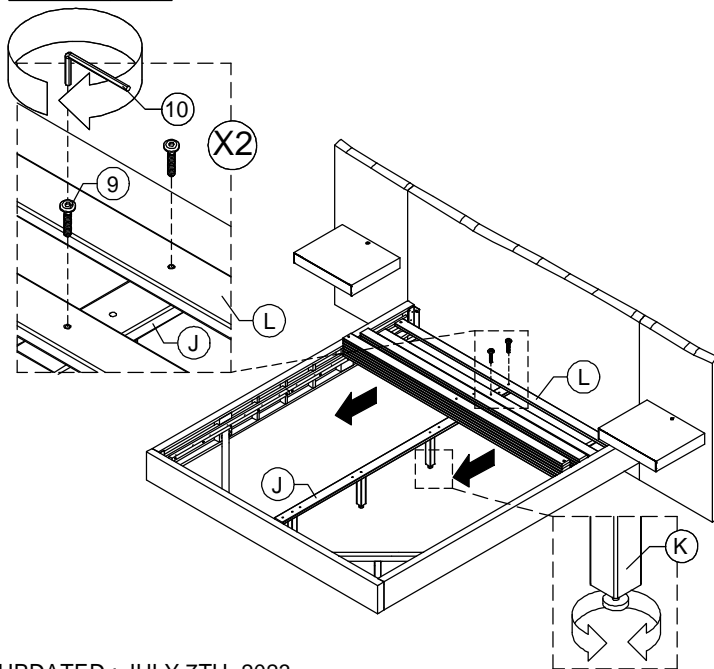
## STEP 14 :



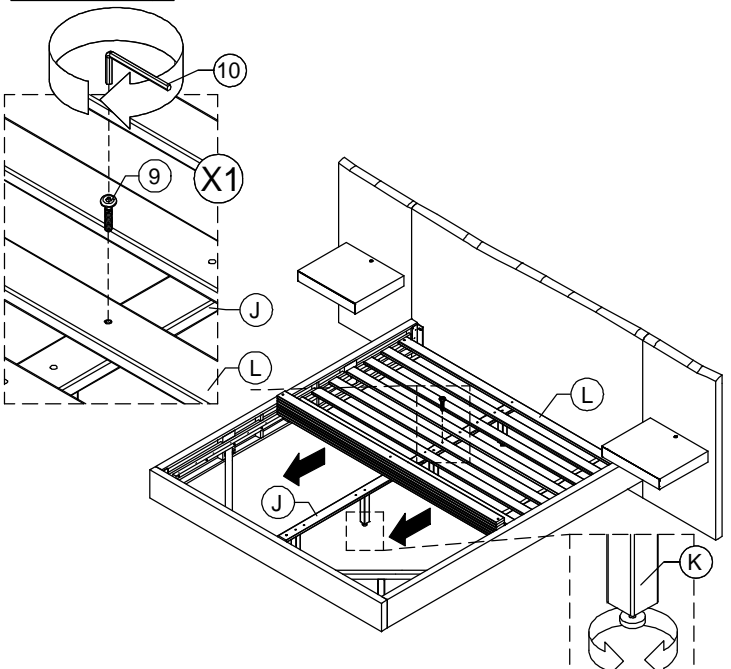
## STEP 15 :



## STEP 16 :



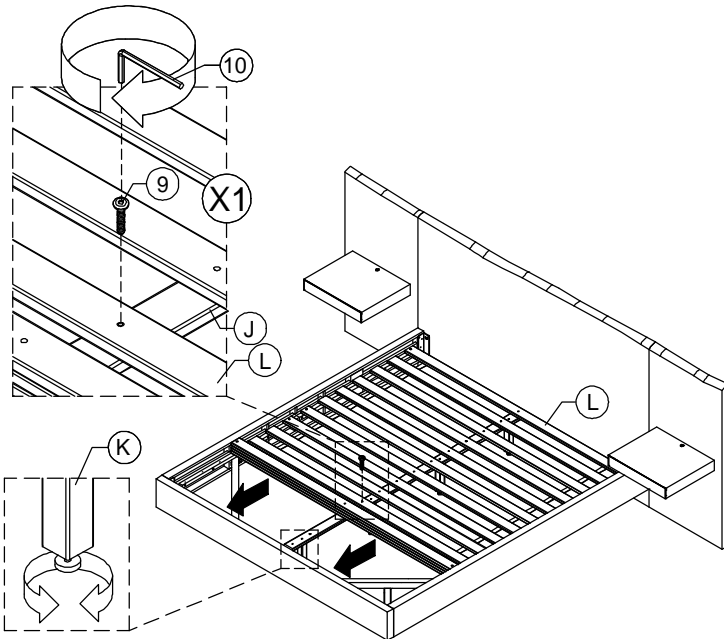
## STEP 17 :



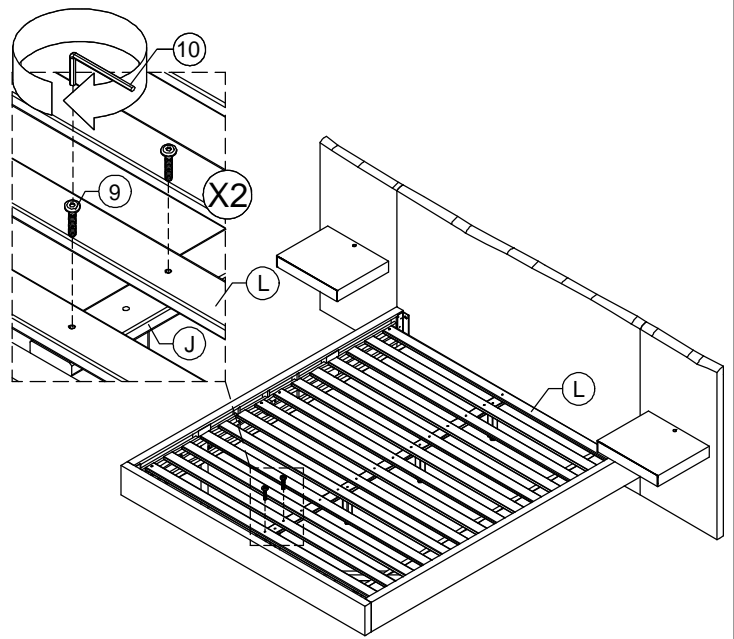
# ONE COLLECT. SPREAD C.KING BED ASSEMBLY INSTRUCTIONS



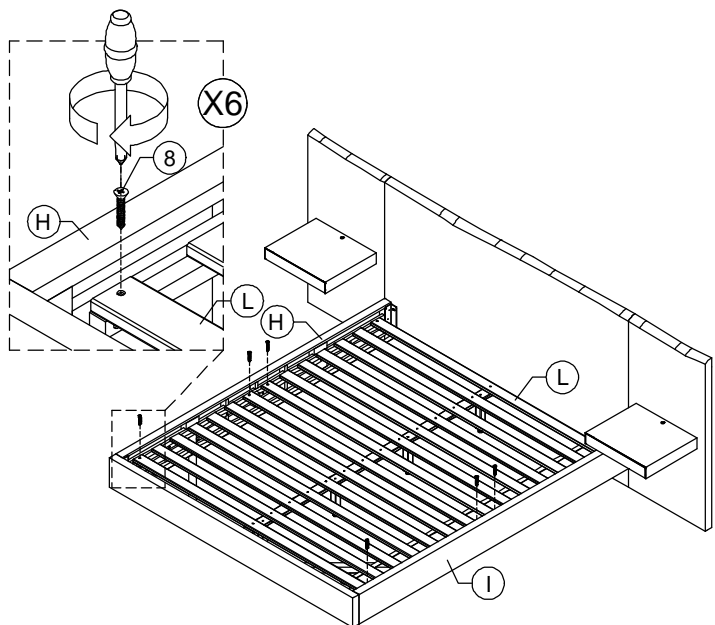
## STEP 18 :



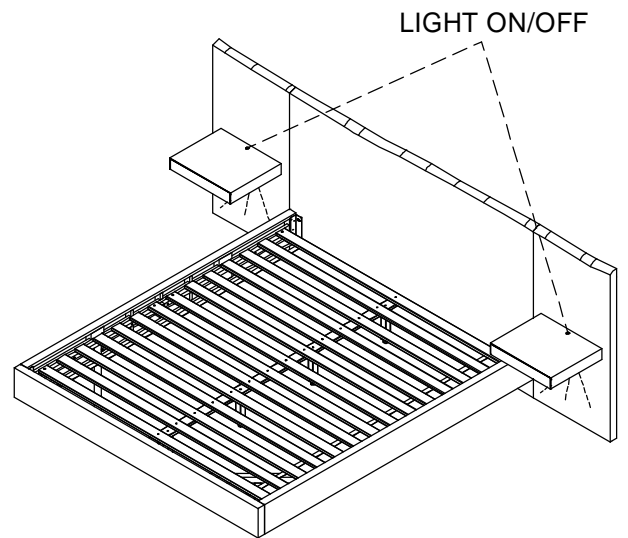
## STEP 19 :



## STEP 20 :



## STEP 21 :



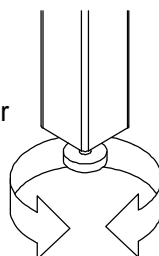
**ASSEMBLY COMPLETE**

## INSTRUCTIONS FOR ADJUSTING LEVELER :

Position the bed in your space and locate the leveler under each leg support (**K**).

Turn the leveler counter-clockwise to extend the leveler and clockwise to retract it.

Adjust each leveler until each leg support is applying equal, upward pressure on the center slat.



## MAINTENANCE INSTRUCTIONS :

- Periodically check all fittings and tighten if necessary, as they can loosen over time.
- Always remove box spring and mattress before moving the bed.
- Lift the bed when moving it. Dragging the bed can damage the center support.
- Readjust levelers after moving the bed.