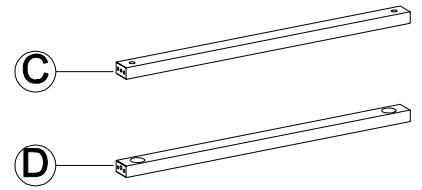
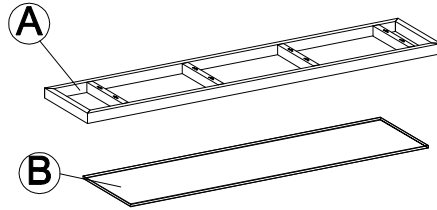


ONE COLLECT. BOOKCASE ASSEMBLY INSTRUCTIONS



PARTS PACKING CONFIGURATIONS

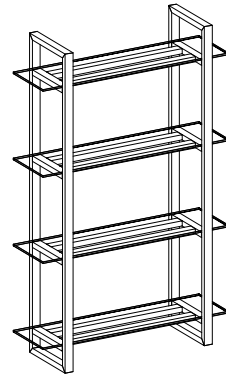
- A. SIDE FRAME 2PCS
- B. GLASS SHELVES 4PCS
- C. SHELF SUPPORT C 2PCS
- D. SHELF SUPPORT D 6PCS



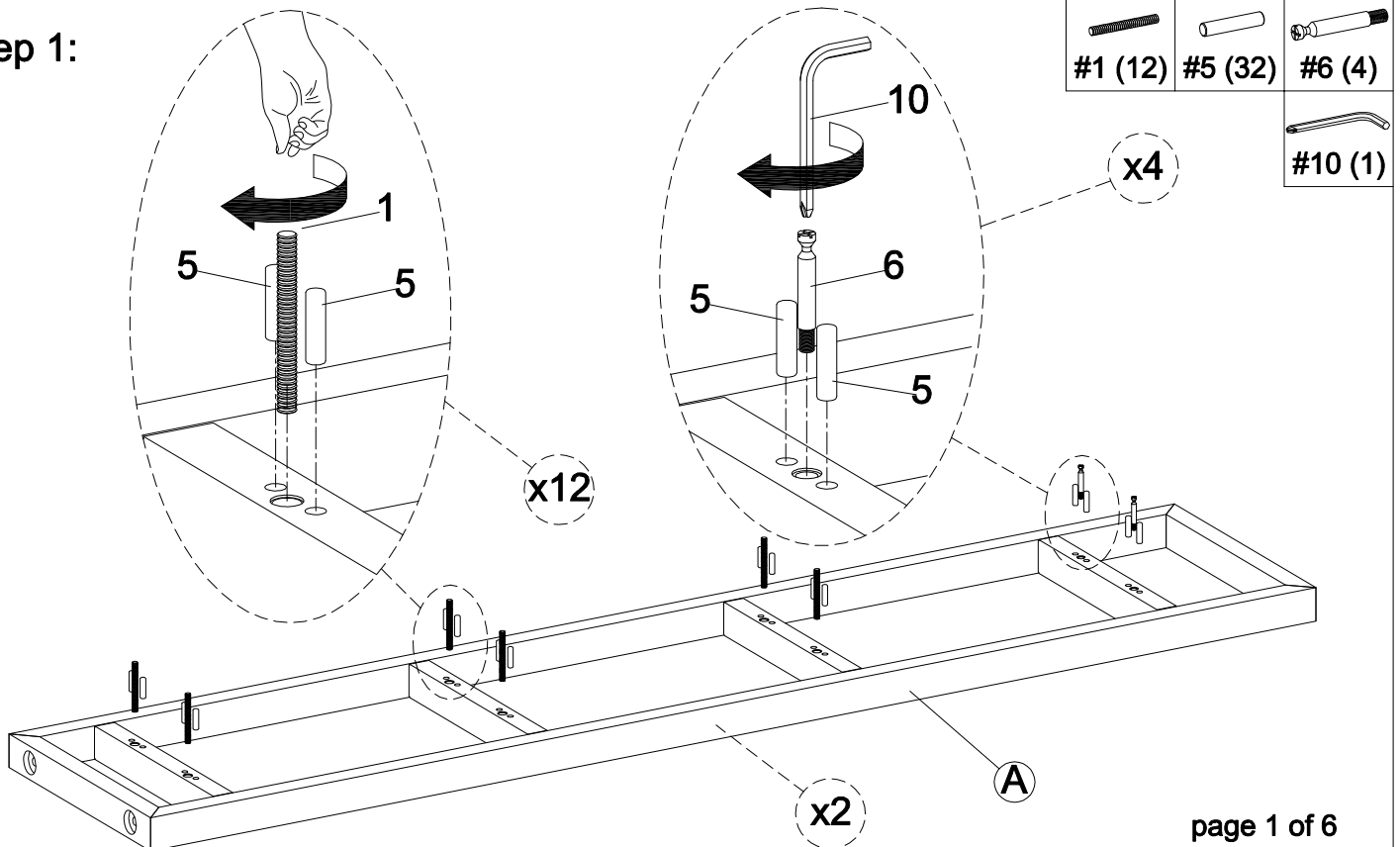
HARDWARE KIT PACKED IN BOX

NO.	DESCRIPTION	IMAGE	Q'TY
1	THREADED BOLT(5/16"x3")		12 PCS
2	HALF MOON WASHER(28x14x7mm)		12 PCS
3	HEX NUT (5/16")		12 PCS
4	WRENCH		1 PC
5	WOOD DOWEL(8x30mm)		32 PCS
6	CAM BOLT (6x51mm)		4 PCS
7	CAM LOCK (15x17mm)		4 SETS
8	LARGE WOOD PLUG (37mm)		12 PCS
9	SMALL WOOD PLUG (15mm)		4 PCS
10	COMBINATION ALLEN KEY		1 PC
11	RUBBER PAD (10mm)		16 PCS

FULLY ASSEMBLED



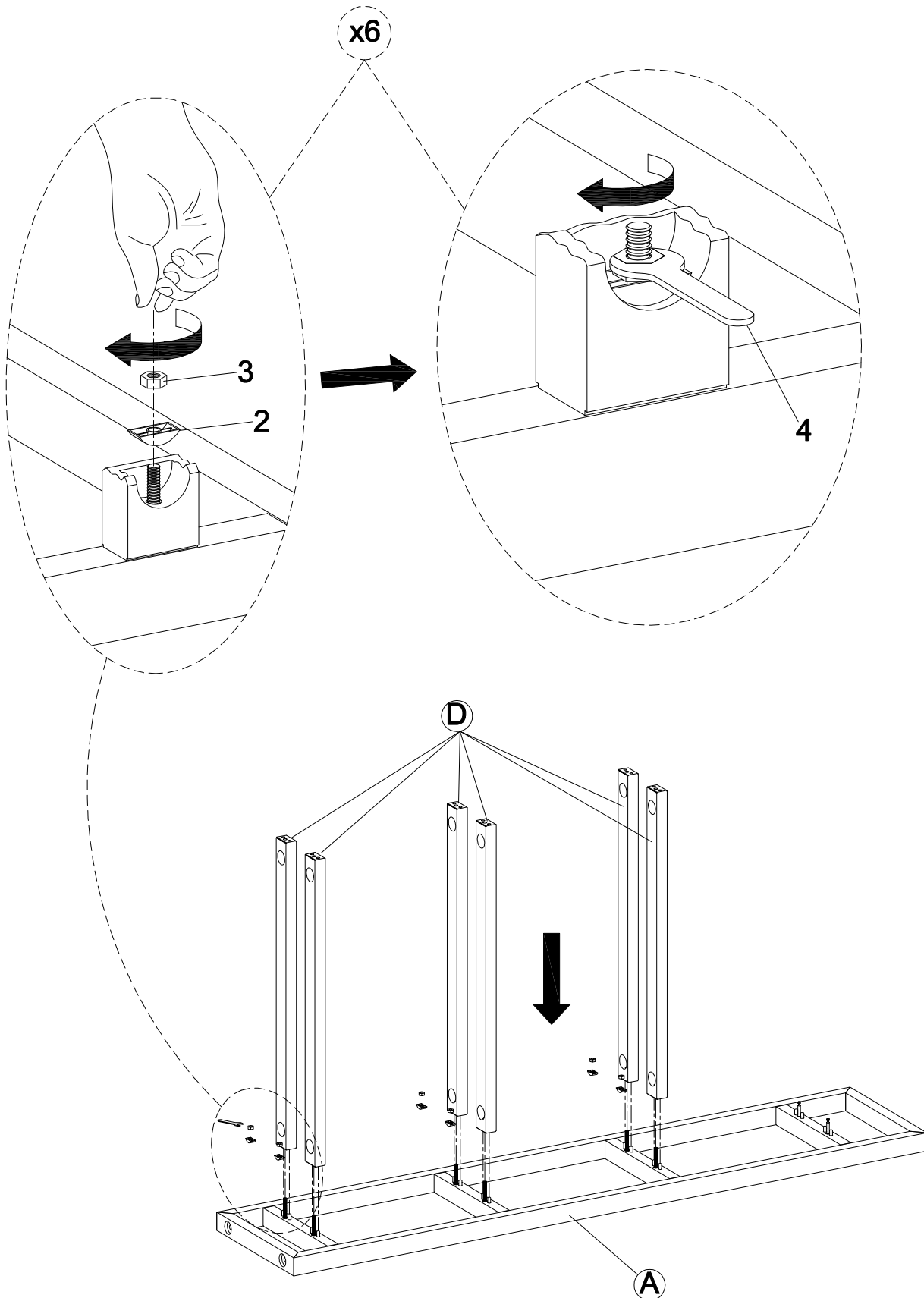
Step 1:



ONE COLLECT. BOOKCASE ASSEMBLY INSTRUCTIONS



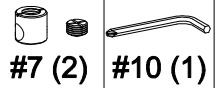
Step 2:



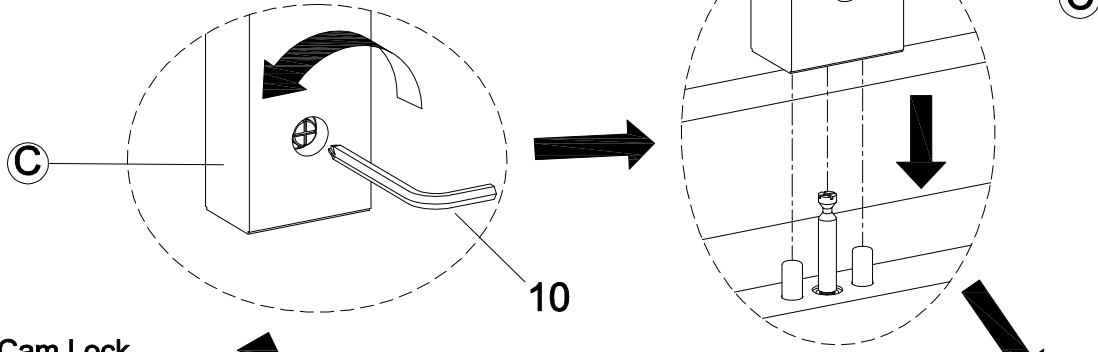
ONE COLLECT. BOOKCASE ASSEMBLY INSTRUCTIONS



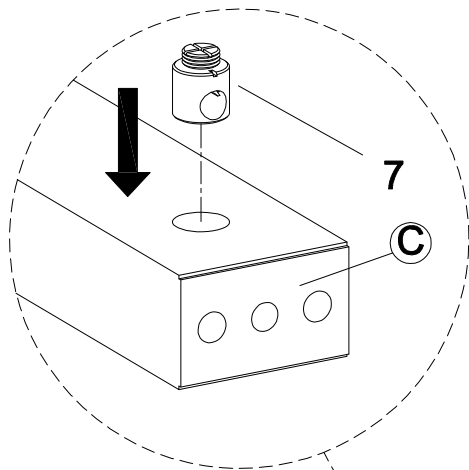
Step 3:



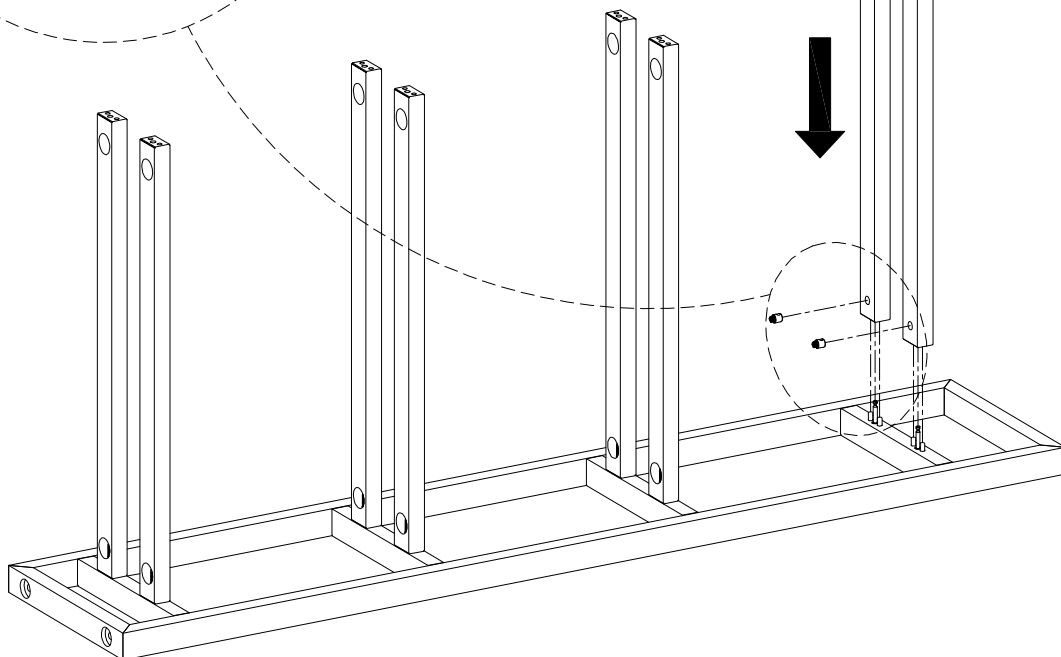
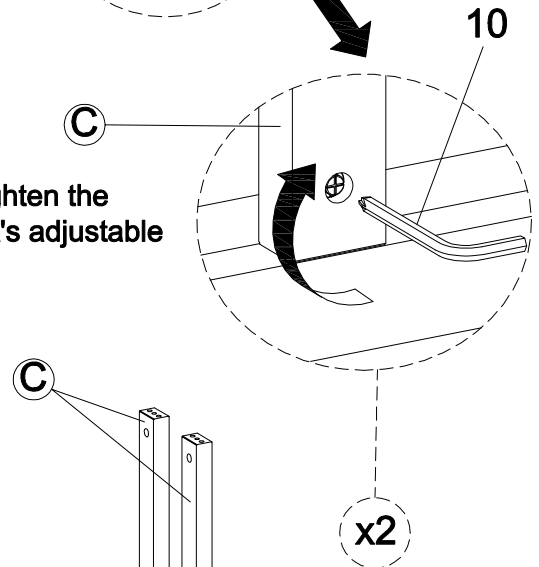
2. Slightly loosen the Cam Lock's adjustable cap for ease of Cam Bolt insertion.



1. Notch on Cam Lock needs to be vertical.



3. Fully tighten the Cam Lock's adjustable cap.

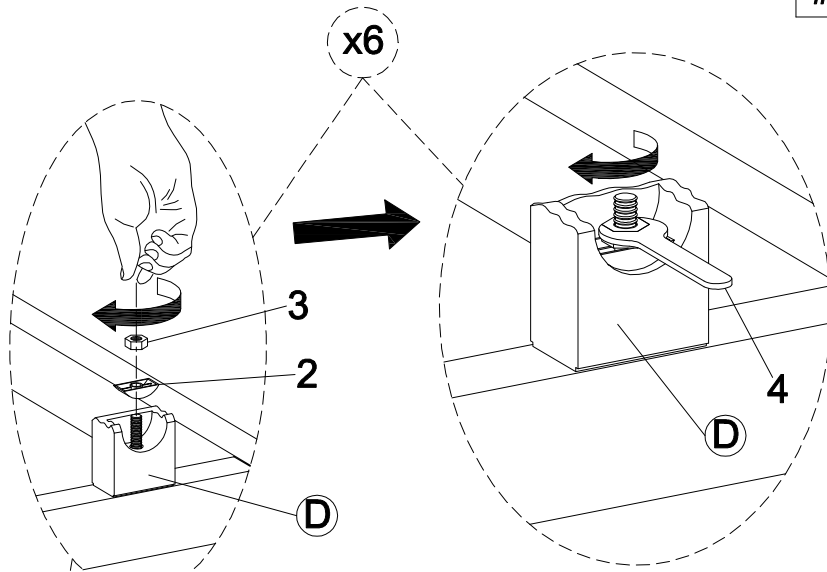


ONE COLLECT. BOOKCASE ASSEMBLY INSTRUCTIONS

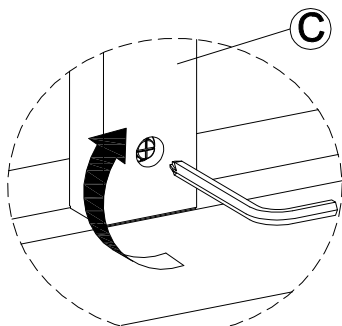
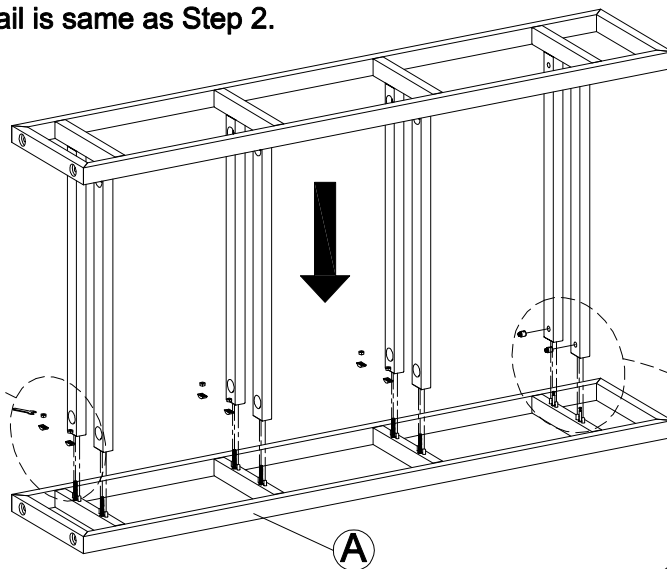


Step 4:

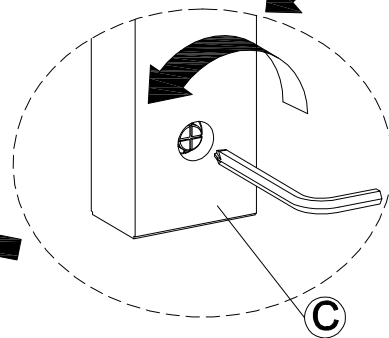
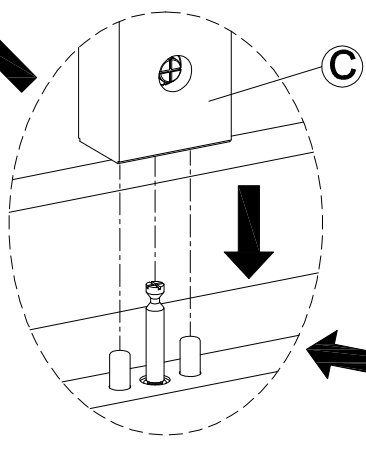
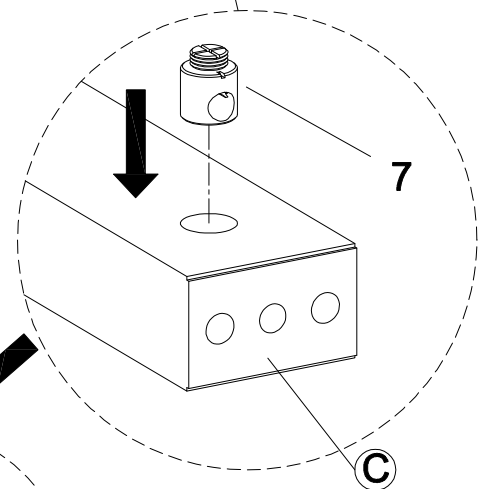
#2 (6)	#3 (6)	#4 (1)	#7 (2)	#10 (1)
--------	--------	--------	--------	---------



Detail is same as Step 2.



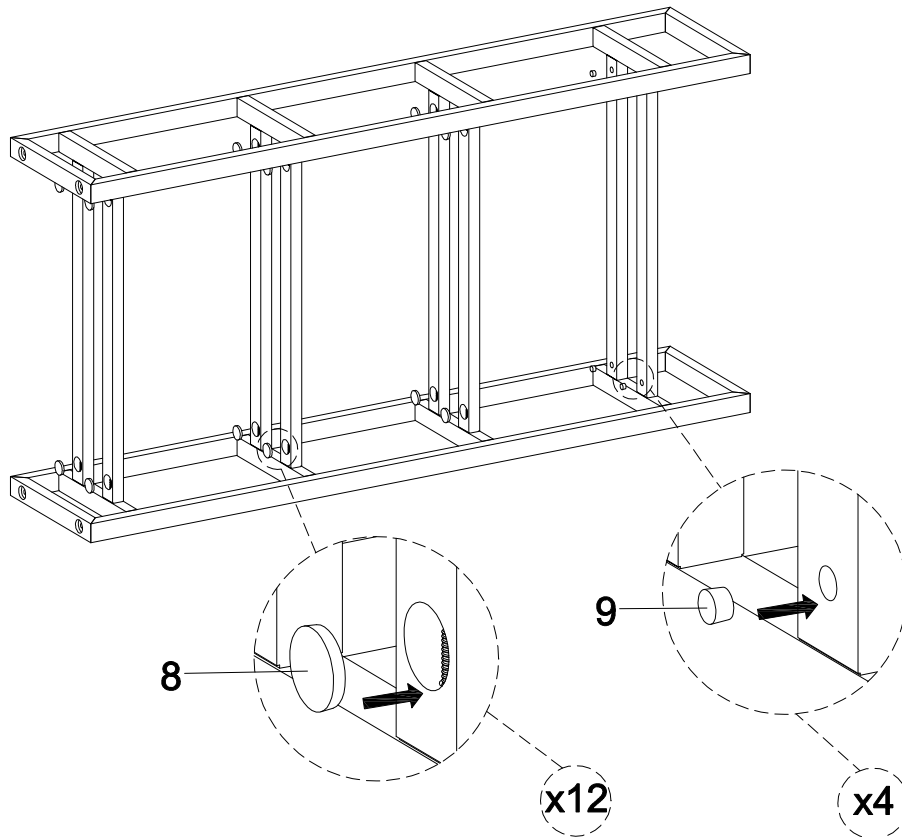
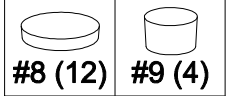
Detail is same as Step 3.



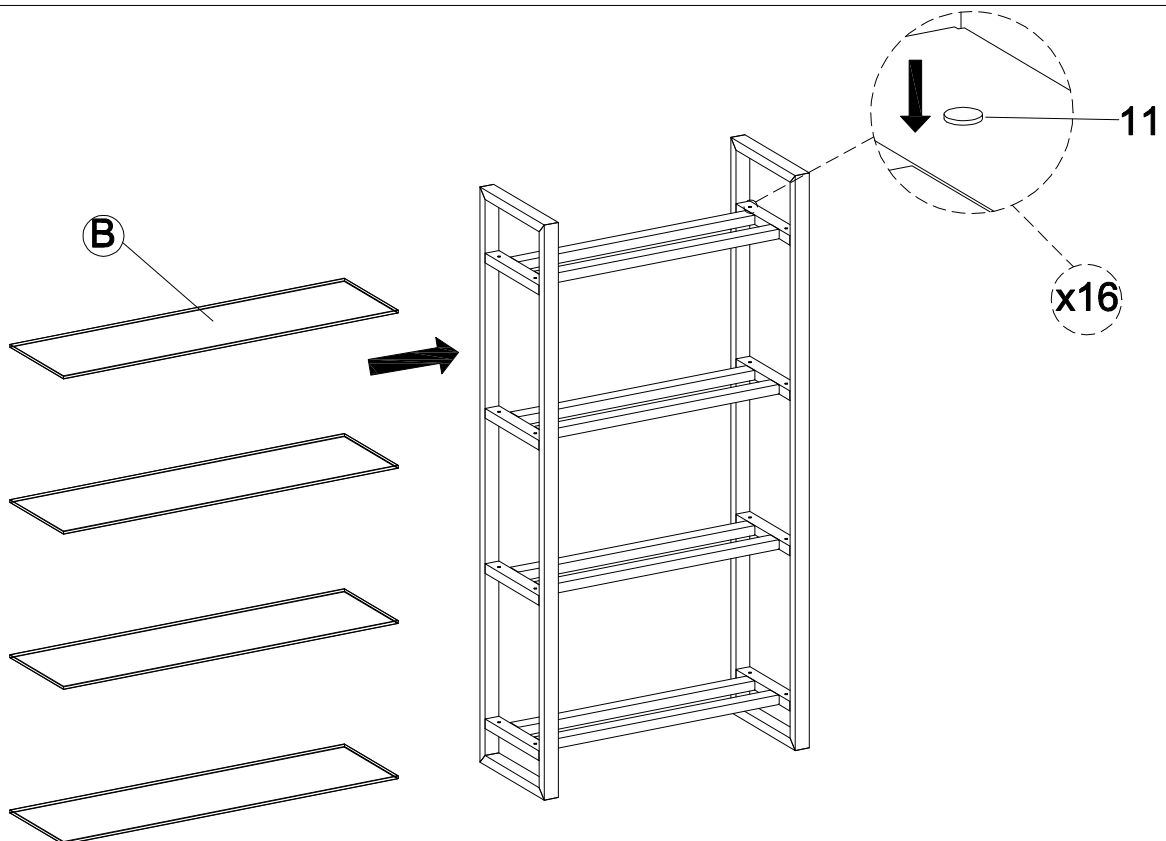
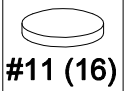
ONE COLLECT. BOOKCASE ASSEMBLY INSTRUCTIONS



Step 5:



Step 6:



ONE COLLECT. BOOKCASE ASSEMBLY INSTRUCTIONS



ASSEMBLY COMPLETE

