

# Ivy

## Wall-Hung Toilet

SM-WT450



### Features:

- Space saving, wall-hung design
- Elongated bowl
- Glazed ceramic
- Adjustable bowl height
- Quick-release, soft-close seat

### Installation:

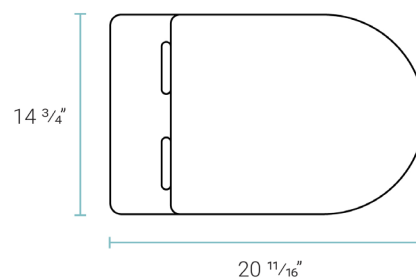
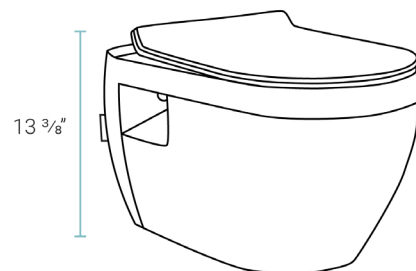
- Wall hung

### Specifications:

- N.W: 57.09 lb.
- L: 20 <sup>11</sup>/<sub>16</sub>" x W: 14 <sup>3</sup>/<sub>4</sub>" x H: 13 <sup>3</sup>/<sub>8</sub>"

### Included Kit Parts:

- Carrier System: SM-WC424
- Wall-Hung Toilet: SM-WT450
- Actuator Plate: SM-WC001C



# Residential Concealed Tank Carrier System

for Wall-Hung Toilet

SM-WC424



## Features:

- Saves space with concealed tank
- Strong, secure hold
- Easy tank access
- Adjustable height

## Installation:

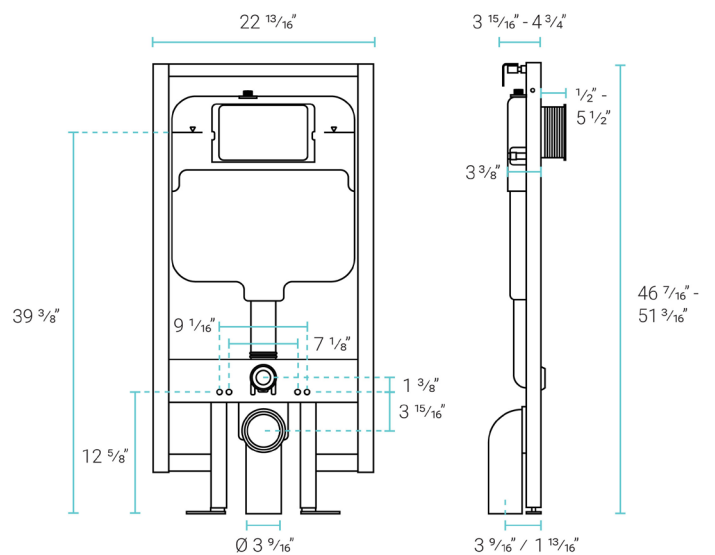
- In-wall

## Specifications:

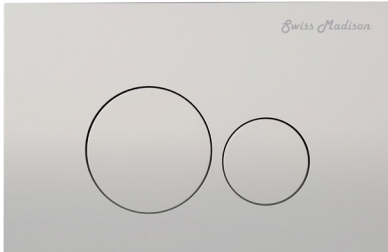
- N.W: 33.0 lb.
- L: 22 <sup>13</sup>/<sub>16</sub>" x W: 4 <sup>3</sup>/<sub>4</sub>" x H: 51 <sup>3</sup>/<sub>16</sub>"

## Included Kit Parts:

- Carrier System: SM-WC424
- Wall-Hung Toilet: SM-WT450
- Actuator Plate: SM-WC001C



# Dual-Flush Flush Actuator SM-WC001C



## Features:

- ABS material
- Dual-flush push buttons

## Installation:

- Front-mount

## Specifications:

- N.W: 2.0 lb.
- L: 9 <sup>5</sup>/<sub>16</sub>" x W: <sup>5</sup>/<sub>16</sub>" x H: 6"

## Included Kit Parts:

- Carrier System: SM-WC424
- Wall-Hung Toilet: SM-WT450
- Actuator Plate: SM-WC001C

