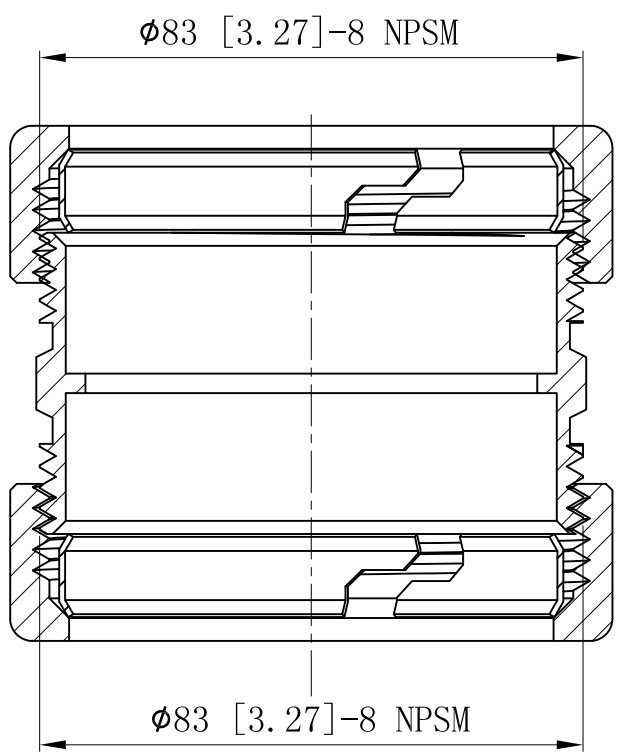
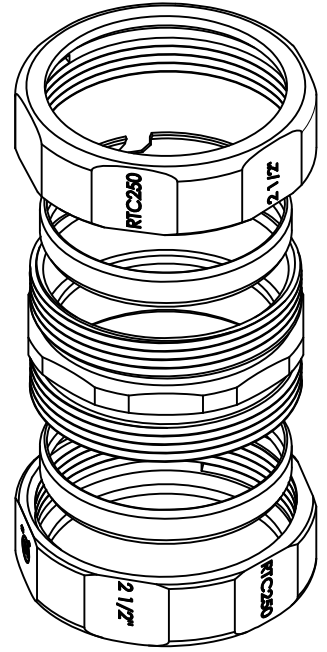
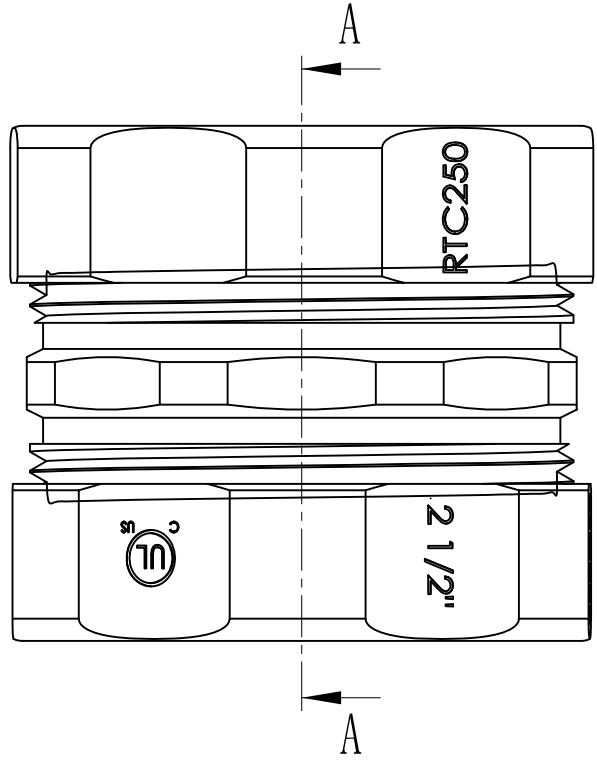


SIDES	BOTTOM
Material:C1018 Seamless steel tube	



CUTAWAY VIEW A-A



DESCRIPTION
TRADE REFERENCE TERMS

STANDARD PACKING
5 PCS

This data sheet is for reference only .GARVIN INDUSTRIES reserves the right to make changes to the design without prior notice.

GARVIN INDUSTRIES		
NO-THREAD CONNECTOR & COUPLINGS		
SIZE A4	DWG NO. RTC250	REV A
DATA SHEET		