





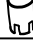
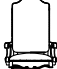


Thank you for purchasing this quality product. Be sure to unpack carefully looking for small parts which may have come loose during shipment.

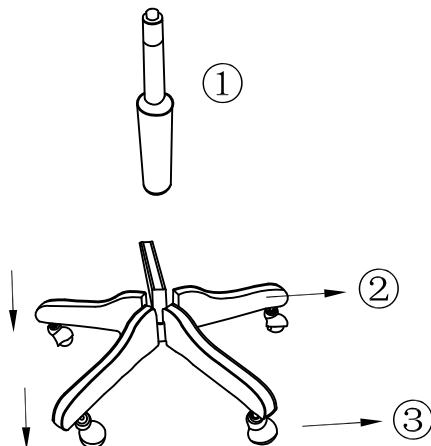
Read all instruction and study the drawing carefully before starting the assembly process.

HARDWARE PACK

NO.	DRAWING	DESCRIPTION	SIZE	Q'TY
A		Flat Washer	Ø5/16"	4PCS
B		Lock Washer	Ø5/16"	4PCS
C		Bolt	Ø5/16"	4PCS
D		Allen Wrench	73*29*5mm	1PC

PART LIST			
NO.	DRAWING	DESCRIPTION	QTY
1		Pneumatic Cylinder	1PC
2		Base	1PC
3		Caster	5PCS
4		Ergonomic Mechanism	1PC
5		Upper Cylinder Cover	1PC
6		Middle Cylinder Cover	1PC
7		Bottom Cylinder Cover	1PC
8		Chair Body	1PC

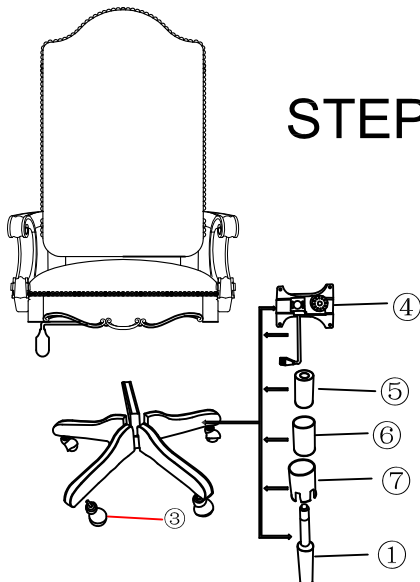
STEP 1



Insert the Pneumatic Cylinder (1) into the base (2), this is a taper fit no mechanical fastening is necessary.

Note: Casters (3) are removable.

STEP 2

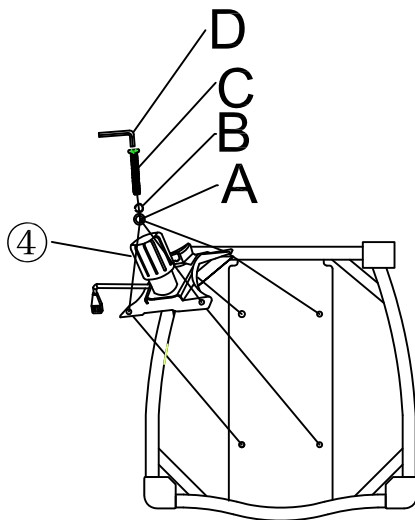


Place Cylinder Covers (5, 6, 7) over the Pneumatic Cylinder (1).

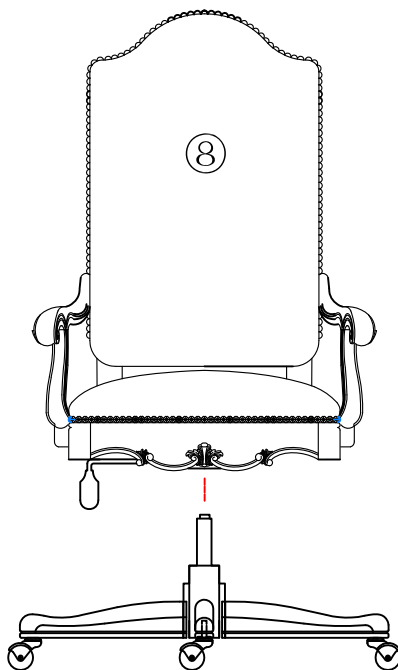
Thank you for purchasing this quality product. Be sure to unpack carefully looking for small parts which may have come loose during shipment.

Read all instruction and study the drawing carefully before starting the assembly process.

STEP 3



Attach Ergonomic Mechanism (4) to bottom of the seat with Flat Washers (A), Lock Washers (B) and Bolts (C), tighten all with Allen Wrench (D).



Place the chair body (8) onto the Cylinder. No mechanical fastening is necessary because this is a taper fit. Now sit in the chair. This will firmly secure the taper fit.

Thank you for purchasing this quality product. Be sure to unpack carefully looking for small parts which may have come loose during shipment.

Read all instruction and study the drawing carefully before starting the assembly process.

**You can lower, raise and tilting the seat rightly:
The seat can be adjusted so that your feet are comfortably flat on the floor.**

To lower the seat:

While seated, raised the seat height lever, the chair will lower with your body weight. The seat height lever will lock into place when your release the lever.

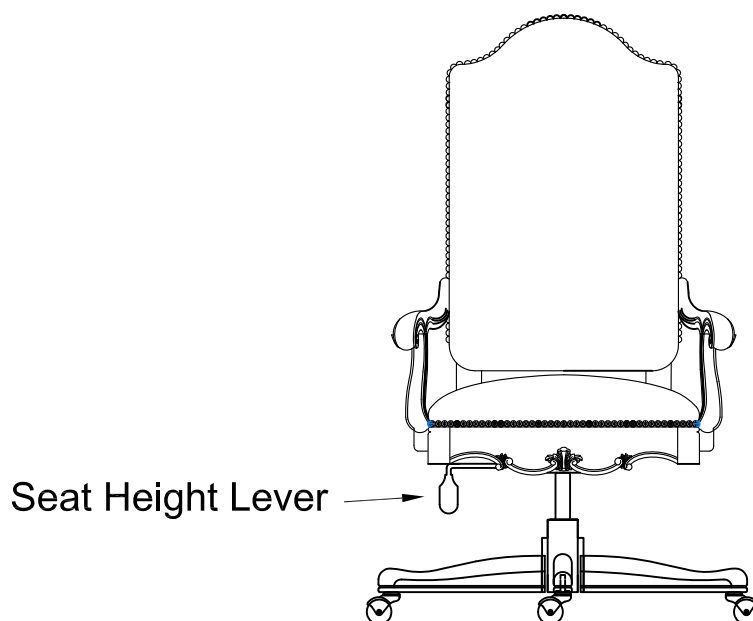
To raise the seat:

Move your weight slightly from the chair and raise the seat height lever, the chair will raise when the lever is lifted. The seat height lever will lock into place when your release the lever.

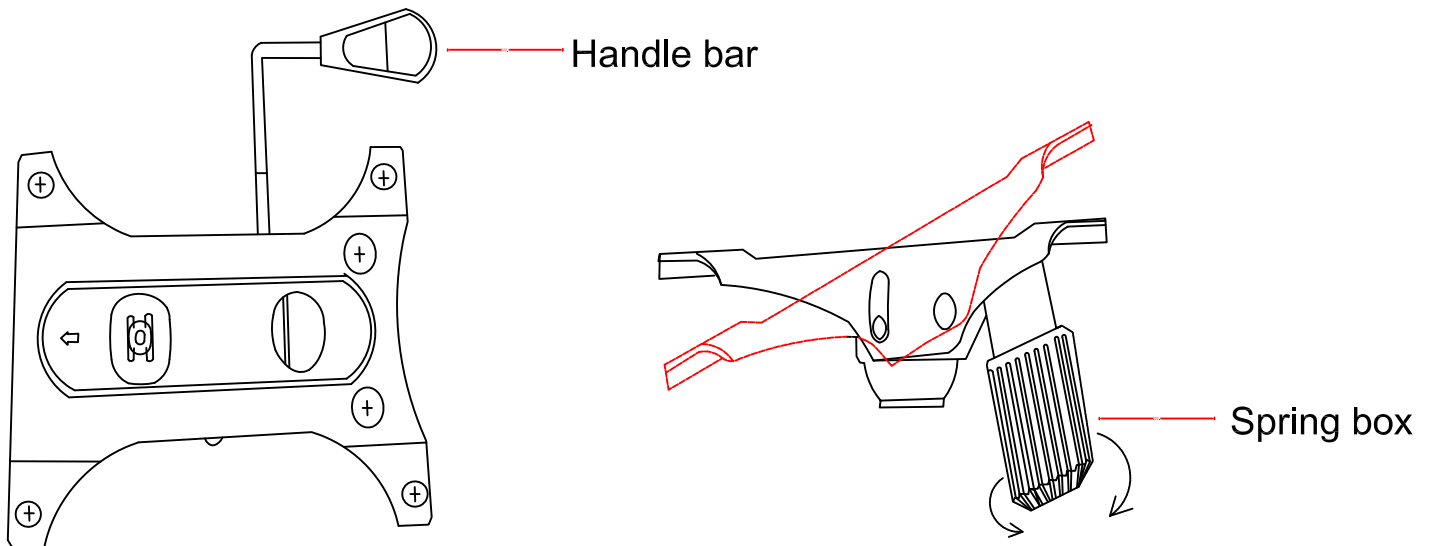
Tilting the seat:

To tilt the chair back, pull out the seat height lever.

To lock the chair to prevent tilting, push the seat height lever in.



INSTRUCTION FOR ERGONOMIC MECHANISM



The function of ergonomic mechanism:

1. This mechanism is applicable to air pressure lifting system.
2. The adjusting handle bar can make the chassis up and down smoothly.
3. Twisting the spring box at left or right direction can control the chair back counter-acting force when leaning backward.
4. Facing chair, twist the spring box at left direction is to loosen counter-acting force and at right direction is to tighten the force.