

AXOR Montreux Showerarm 15"

Finishes : **polished nickel** Part no. : **04746830**



Description

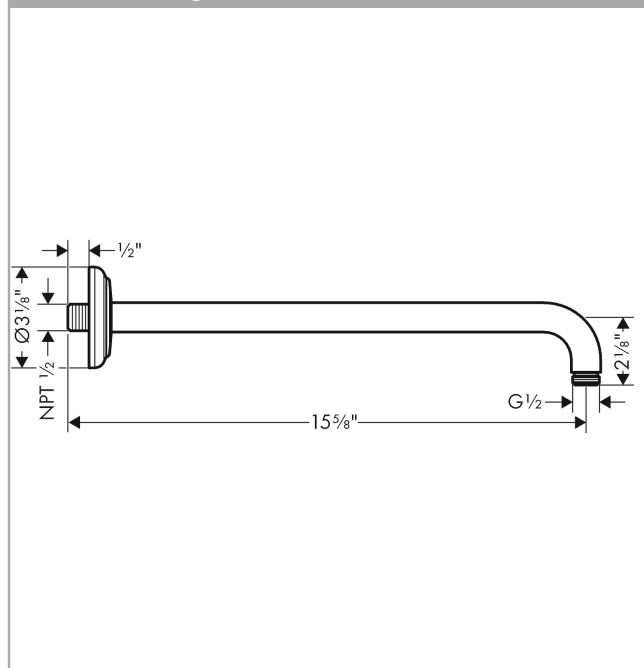
Features

- Brass
- 1/2" NPT
- Escutcheon, Mounting plate

Product image



Scale drawing



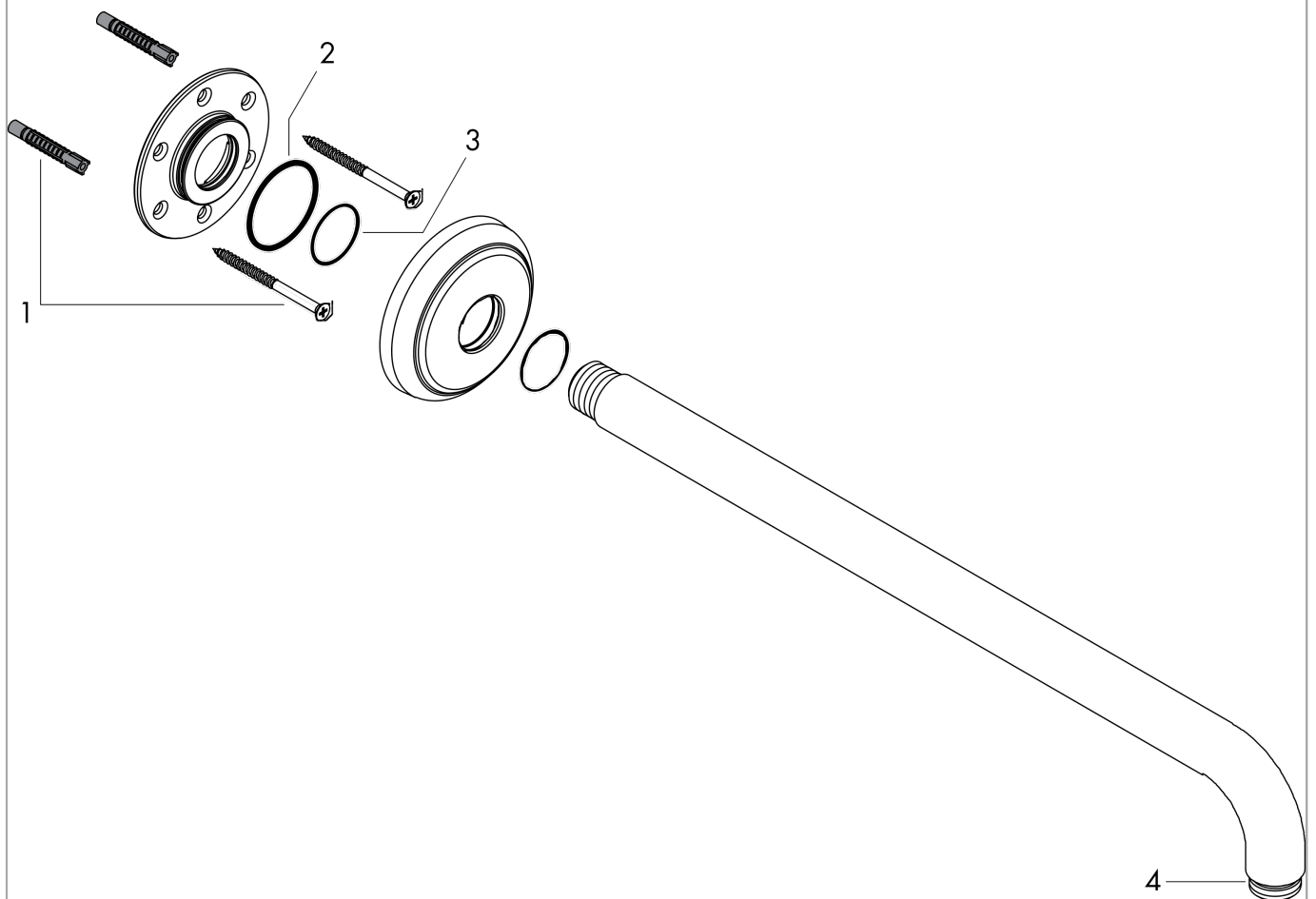
**AXOR Montreux
Showerarm 15"**

Finishes : **polished nickel** Part no. : **04746830**



Exploded drawing

Year of production: >01/18



**AXOR Montreux
Showerarm 15"**

Finishes : **polished nickel** Part no. : **04746830**



Spare parts list

Year of production: >01/18

Pos.	Description	Part no.	PC	PU
1	mounting set	40916000	0	1
2	O-ring 30x2,5	98151000	0	1
3	O-ring 24x2	98388000	0	1
4	O-ring 16x2	98133000	0	1