



ASSEMBLY INSTRUCTIONS

B3412-315 HARRISUBRG 5/0 Q HEADBOARD, FOOTBOARD & SLATS KIT
B3412-335 HARRISUBRG 5/0-6/6 Q/EK SIDE RAILS
(1PC 2 CARTON)

Thank you for purchasing this quality product. Be sure to check all packing materials carefully for small parts, which may have come loose inside the carton during shipment. Identify and count all items and compare with the parts list and/or hardware list shown below.

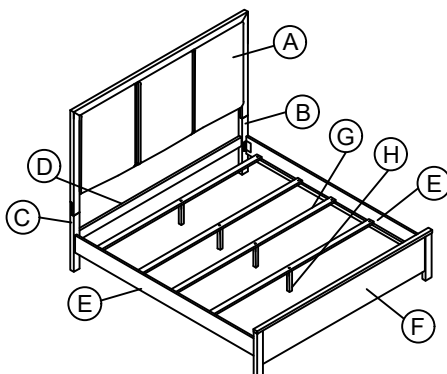
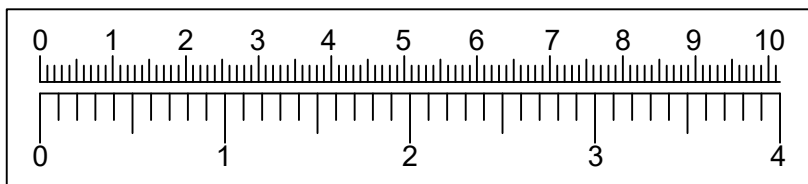
Cautions :

- (1) Do not fully-tighten the nuts or bolts until all nuts and bolts are assembled.
 (To avoid causing damages to the thread, do not over-tighten the nuts or bolts.)
- (2) Keep all hardware part out of reach of children.

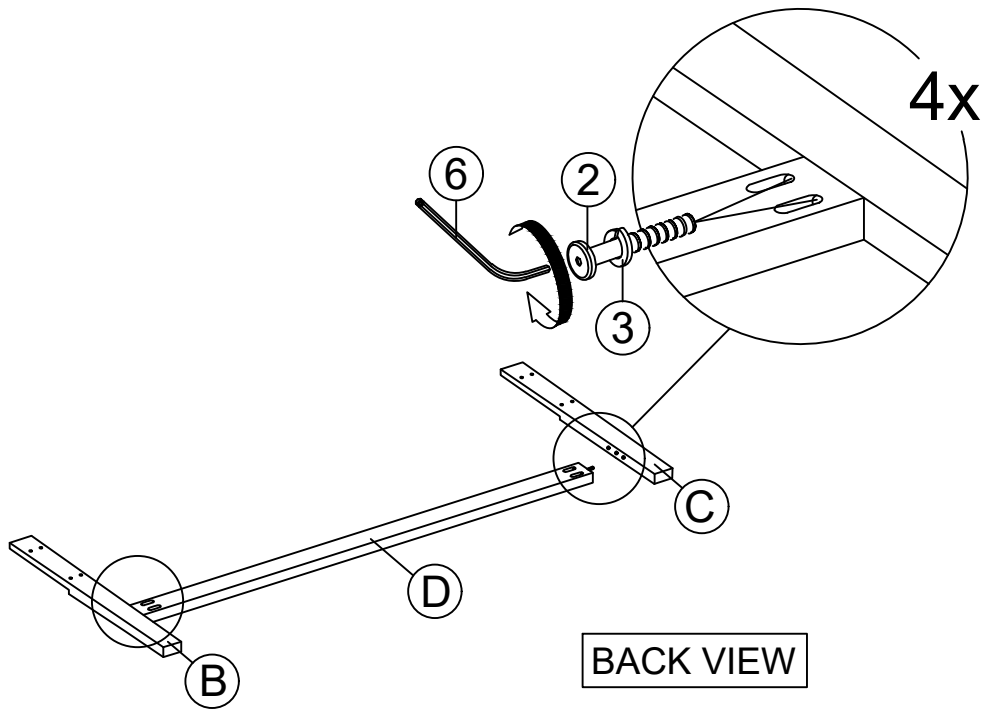
PARTS LIST			
NO	DESCRIPTION	SKETCH	QTY
A	HEADBOARD		1 PC
B	HEADBOARD RIGHT SIDE FACING (RSF) LEG		1 PC
C	HEADBOARD LEFT SIDE FACING (LSF) LEG		1 PC
D	HEADBOARD CROSS BAR		1 PC
E	SIDE RAIL		2 PCS
F	FOOTBOARD		1 PC
G	SLAT		5 PCS
H	SLAT SUPPORT LEG		5 PCS

HARDWARE LIST			
NO	DESCRIPTION	SKETCH	QTY
1	SHORT BOLT 1/4" x 1 3/8"		13 PCS
2	LONG BOLT 1/4" x 2"		4 PCS
3	SPRING WASHER 1/4"		17 PCS
4	FLAT WASHER 1/4"		8 PCS
5	CSK SCREW 5/32" x 1 1/4"		10 PCS
6	ALLEN KEY 5/32"		1 PC
7	ALLEN KEY 3/16"		1 PC

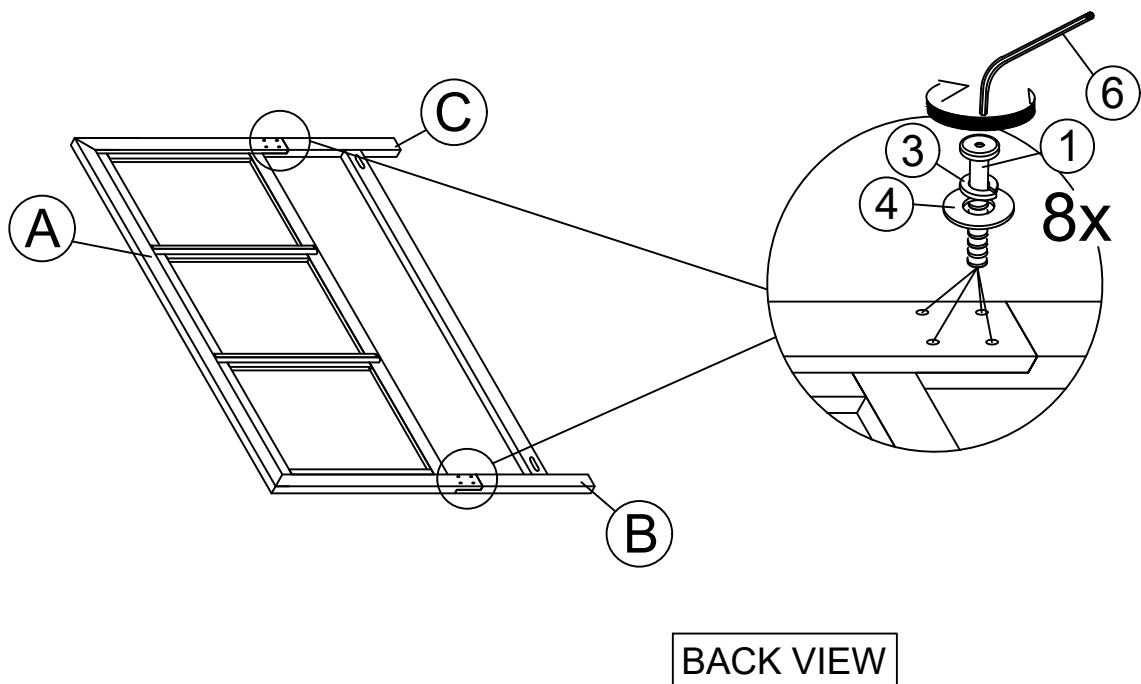
WEIGHT CAPACITY	500 pounds
-----------------	------------



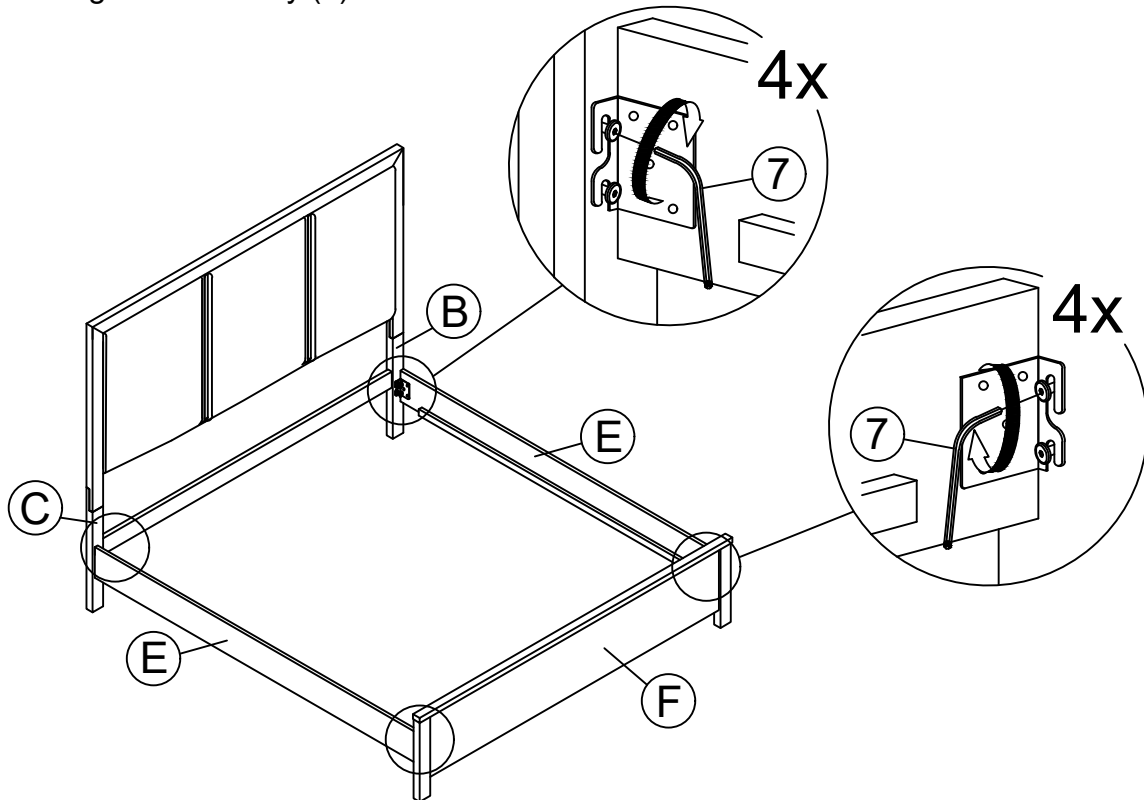
STEP 1 : Assemble the Headboard Cross Bar (D) between the Headboard RSF Leg (B) and Headboard LSF Leg (C) by using the Allen Key (6) and the hardware Long Bolt 1/4" x 2" (2) & Spring washer (3).



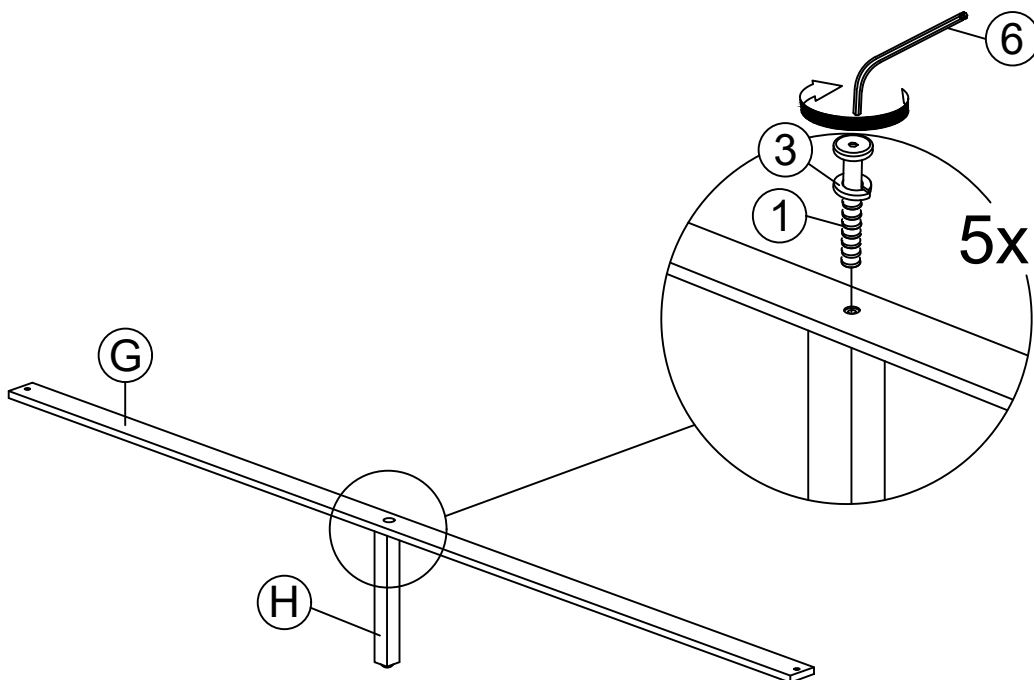
STEP 2 : Place the Headboard (A) face down on a flat and clean surface. Assemble the Headboard Legs (B & C) to the Headboard (A) by using the Allen Key (6) and the hardware Short Bolt 1/4" x 1 3/8" (1), Spring washer (3) & Flat washer (4).



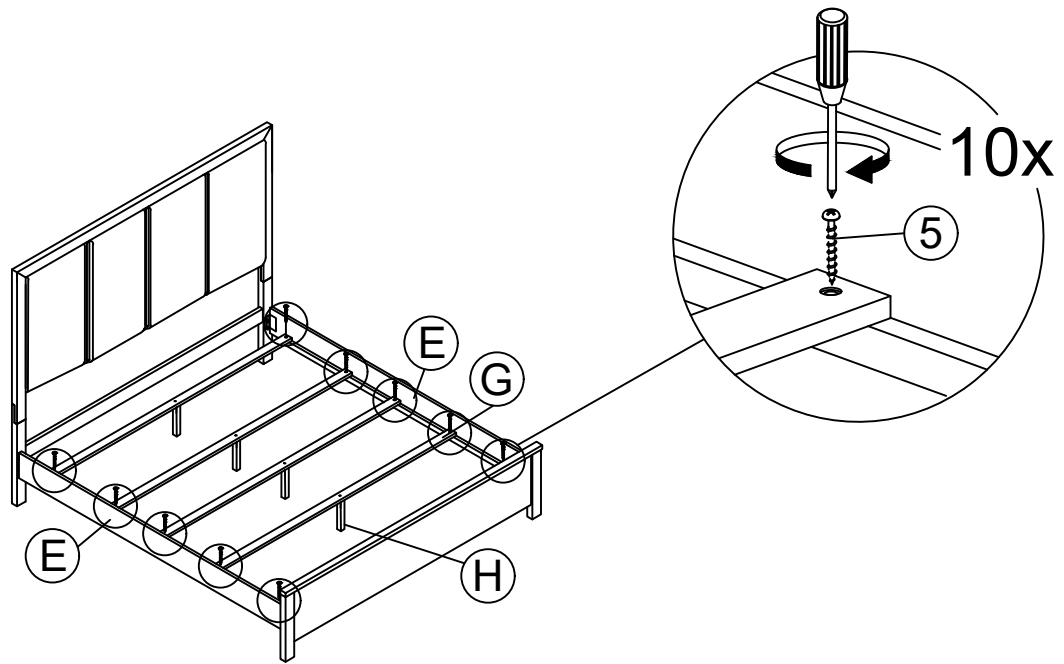
STEP 3 : Assemble the Side Rails (E) to the Headboard Legs (B & C) and Footboard (F) by using the Allen Key (7).



STEP 4 : Assemble the Slat Support leg (H) to the Slat (G) by using the Allen Key (6) and the hardware Short Bolt 1/4" x 1 3/8" (1) & Spring washer (3).



STEP 5 : Assemble the Slat (G) to the the Side Rails (E) by using a screwdriver with the hardware Csk Screw 5/32" x 1 1/4" (5).



COMPLETED ASSEMBLY.

