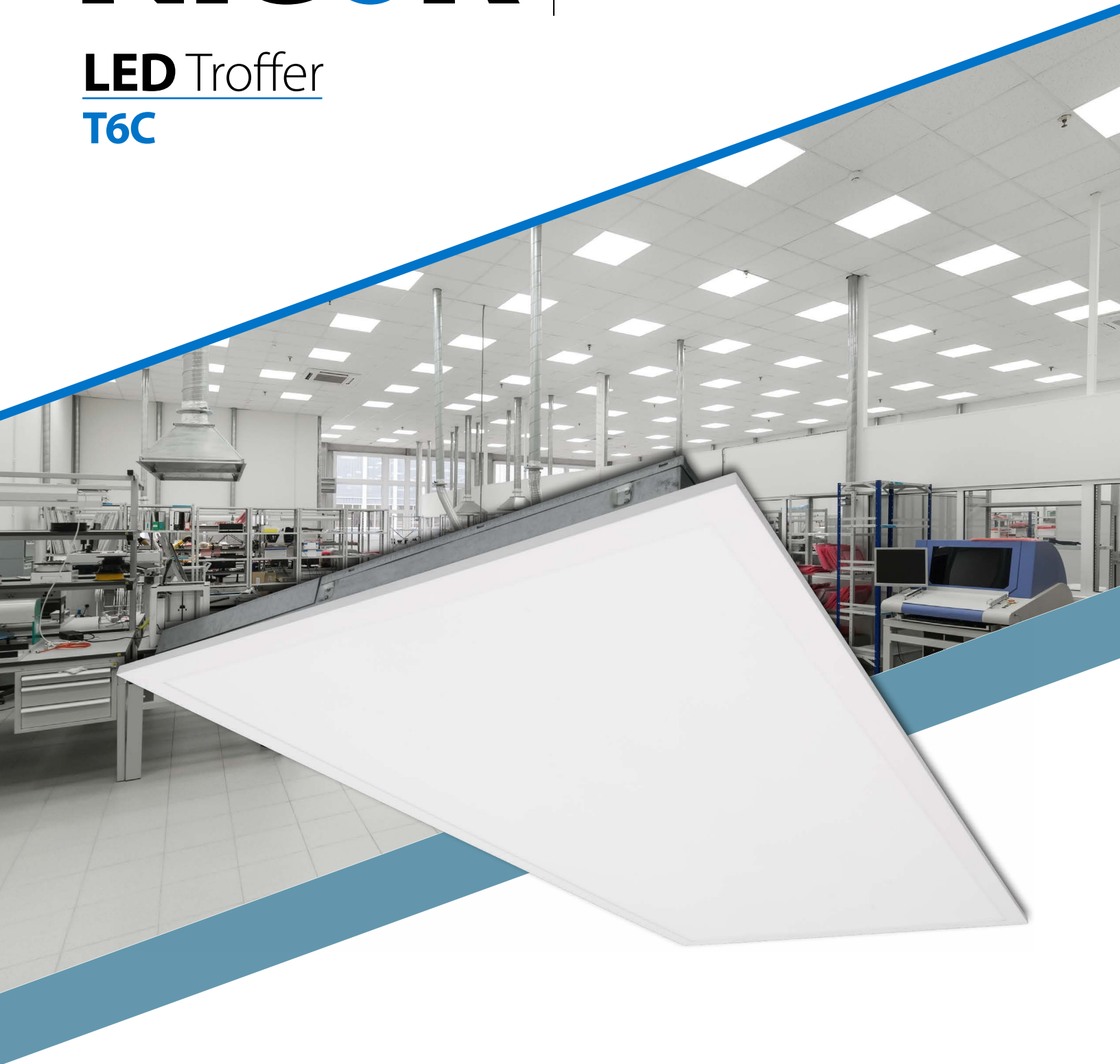


NICOR® | **LED**

LED Troffer
T6C



Riveting Design, Built to Last

T6C LED Troffer

Low Profile and Low Cost Solution

Designed for easy contractor installation, the T6C LED Troffer features a pre-mounted driver and a maintenance-free, fully-sealed chamber with seamless Aluminum frame to keep bugs and dust out. The fixture utilizes a precision-engineered, textured diffuser to deliver maximum lumen output and optimal uniformity without revealing hot spots or shadowing. The T6C LED Troffer fits easily into standard ceiling grids and is available in 1x4, 2x2, and 2x4 configurations, making it ideal for new construction and retrofit projects.



Pre-Mounted Driver

Features a pre-mounted driver for contractor friendly installation.

Mounting Holes

Integral grid tie clips with wire holes provided for seismic requirements

Secure

Built with rivets for additional security

Light Uniformity

No visible diodes, hot-spots, or shadows providing high uniformity, and reduced glare.

Precision Optics

Advanced optical design generates even light distribution with optimal uniformity, providing glare-free illumination.

T6C Product Information

Construction

- Extruded aluminum frame with powder coat finish
- Durable stamped housing
- High efficiency, fully sealed, maintenance-free LED chamber
- Smooth formed sides for safe handling
- Weight: 7.3lbs (3.3kg)

Optical System

- Patented internal optical system
- Precision engineered polystyrene diffuser
- High reflectivity internal coating
- No visible diodes, hot-spots, or shadows providing high uniformity, and reduced glare

Electrical

- Input voltage of 120-277VAC
- Full-range dimming via 0-10VDC controls; Output source current of 1mA
- 4kV surge protection standard
- TM-21 Reported L70(10k) life >100,000 hours
- LM-79, LM-80 testing performed in accordance with IESNA standards
- Meets FCC 15 PartB: 2016 Class A requirements
- High Voltage (347-480VAC) option

Installation

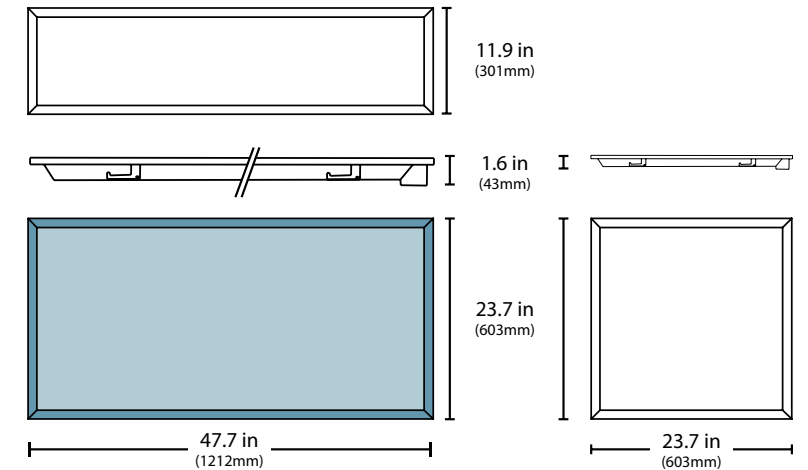
- Features a pre-mounted driver for contractor friendly installation
- Single cover plate with access to both line and low voltage connections.
- Can be installed in conventional suspended grid ceiling or drywall with an optional adaptor
- Integral grid tie clips with wire holes provided for seismic requirements
- Certified for direct contact with insulation
- Operating temperature rating of -4°F to 104°F (-20°C to 40°C)
- For installations where power surge may be possible, NICOR recommends installing additional surge protection at the fixture or electrical distribution panel

Finish

- Gloss white

Warranty

- 5-year limited system warranty standard
- Warranty does not cover product failure due to an overvoltage event (power surge)



Performance Data

Model #	Lumens (Lm)	Watts (W)	Lumens/Watt
T6C24SU35	4426	35.3	125.3
T6C24SU40	4455	35.3	126.2
T6C24SU50	4478	35.2	127.2
T6C24HU35	5851	46.5	125.8
T6C24HU40	5952	46.8	127.2
T6C24HU50	5954	46.8	127.2
T6C22SU35	3430	27.4	125.1
T6C22SU40	3429	27.3	125.6
T6C22SU50	3455	27.3	126.6
T6C22HU35	4397	35.1	125.3
T6C22HU40	4440	35.1	126.5
T6C22HU50	4437	35.1	126.7
T6C14SU35	3430	27.4	125.1
T6C14SU40	3429	27.3	125.6
T6C14SU50	3455	27.3	126.6
T6C14HU35	4397	35.1	125.3
T6C14HU40	4440	35.1	126.5
T6C14HU50	4437	35.1	126.7

Ordering Information

Example: T6C24SU40

Series	Size	Output	Voltage	CCT's	Emergency
T6C	24 (2' x 4')	S (Standard)	U (120-277V)	35 (3500 K)	_ (None)
	22 (2' x 2')	H (High Output)	H (347-480V)	40 (4000 K)	E1 (EMB45)
	14 (1' x 4')			50 (5000 K)	E2 (EMB80)
					E3 (EMB250)

Specifications and dimensions subject to change without notice.

Accessories

accessories sold separately

- Surface Mount Kit SK24, SK22 or SK14 with respective size
- Drywall Frame Kit FK24, FK22 or FK14 with respective size

Warehouse Locations

Albuquerque, NM
Atlanta, GA
Detroit, MI
Folcroft, PA
Houston, TX

Indianapolis, IN
Lombard, IL
Miami, FL
Syracuse, NY
Van Nuys, CA

T 800.821.6283

F 800.892.8393

www.nicorlighting.com

2200 Midtown Pl. NE
Albuquerque, NM 87107 USA



LIT-T6C-10PK
20200313

©2019 NICOR® • ALL RIGHTS RESERVED

NICOR® | **LED**