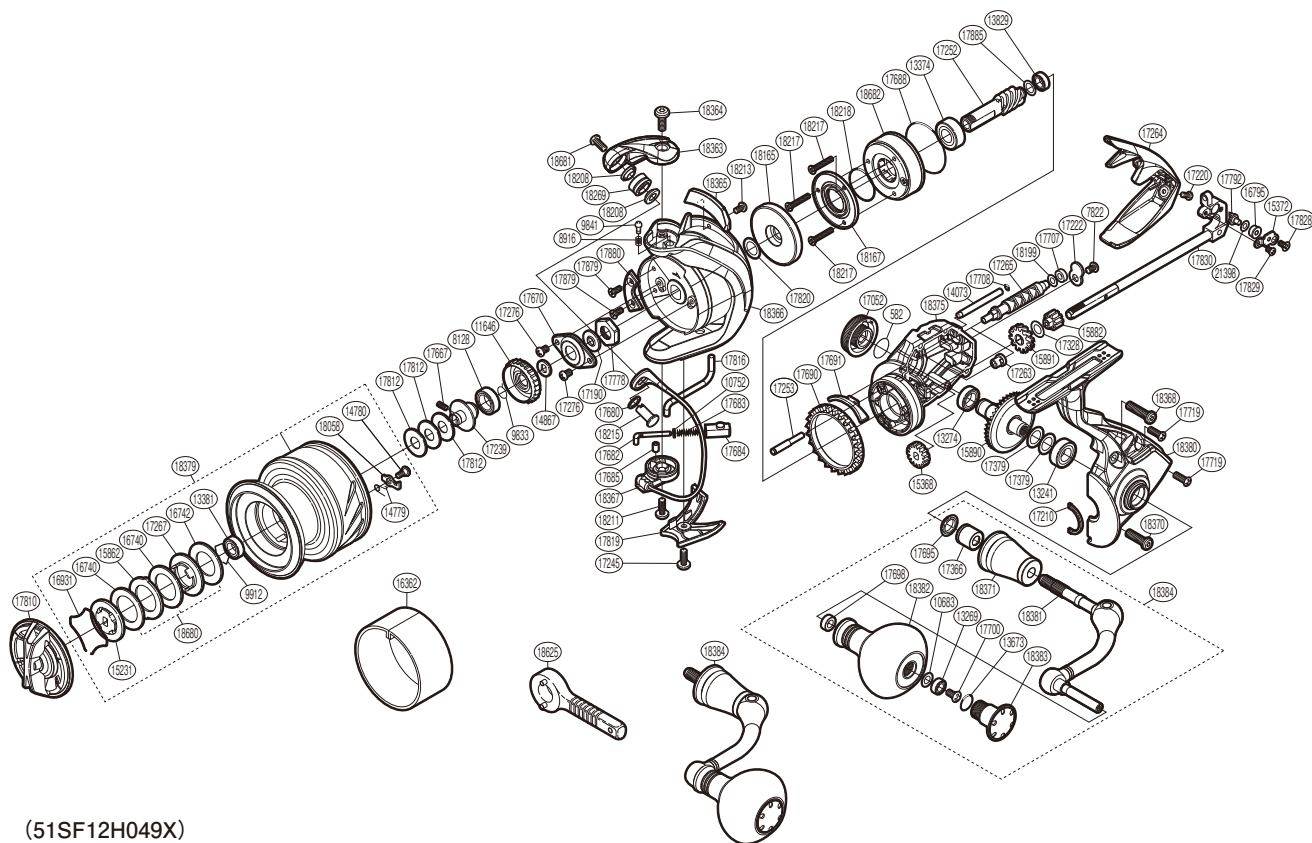


SHIMANO

SUSTAIN

SA-C5000XGFI



(51SF12H049X)

#	Part No.	Description	#	Part No.	Description	#	Part No.	Description
582	108WH	O Ring	17245	10PSA	Screw	17880	101ZJ	Counterweight
7822	103KW	Screw	17252	10C53	Pinion Gear	17885	10HEP	Washer
8128	10KXC	Ball Bearing	17253	10CLE	Idle Gear B Shaft	18058	101Y2	Drag Click
8916	10CH0	Click Spring	17263	106MB	Worm Bushing (Front)	18165	10SYA	Rotor Ring
9833	107V2	Ratchet Spring	17264	10NNG	Rear Protector	18167	10SYJ	Roller Clutch Reinforce
9841	10CHA	Click Pin	17265	1068J	Worm Shaft	18199	10ECK	Washer
9912	10GEW	Bearing Retainer	17267	10BCG	Key Washer	18208	10TJM	Spacer
10683	10HTT	Washer	17276	10PME	Screw	18211	10TLM	Screw
10752	10TYE	Bail Spring Guide A Support	17328	10B7U	Washer	18213	10TLH	Screw
11646	107PS	Drag Click Ratchet	17366	10PQL	Handle Shaft Cover B	18215	10TLK	Line Roller Support
13241	104JD	Ball Bearing	17379	10GR3	Washer	18217	10TJP	Screw
13269	104VX	Ball Bearing	17667	10PN3	Set Screw	18218	10EAY	Roller Clutch O Ring
13274	104PP	Ball Bearing	17670	10TRH	Rotor Nut Lock Plate	18269	10RY0	Line Roller (With Bearing)
13374	104Q5	Ball Bearing	17680	1018Z	Washer	18363	10DGN	Bail Arm
13381	104JT	Ball Bearing	17682	1061L	Bail Spring Guide A	18364	10TM6	Screw
13673	10LAA	O Ring	17683	105R6	Bail Spring	18365	10001	Counterweight Assembly
13829	104JZ	Ball Bearing	17684	107AB	Bail Spring Seat	18366	10DGP	Rotor
14073	10337	Oscillating Guide	17685	10TRC	Bail Spring Guide A Bush	18367	10002	Bail Assembly
14779	10BQB	Drag Click Spring	17688	10MLU	O Ring	18368	10U0A	Screw
14780	10A6F	Screw	17690	104FV	Friction Ring	18370	10U09	Screw
14867	103PE	Spool Support	17691	10TQF	Bail Trip Strike	18371	10DGL	Handle Shaft Cover
15231	10QBU	Key Washer	17695	10PXV	Handle Shaft Seal	18375	10DGM	Body
15368	10HBH	Idle Gear	17698	10PXZ	Handle Knob Bushing	18379	1027K	Spool Assembly
15372	10HAE	Oscillating Pawl Cover	17700	10LFA	Screw	18380	10EDZ	Side Cover
15862	102XW	Eared Washer	17707	106CN	Worm Bushing (Rear)	18381	10RYZ	Handle Shank Assembly
15882	106RH	Idle Gear B (Small)	17708	10JAC	O Ring	18382	10EE0	Handle Knob
15890	10AAV	Drive Gear	17719	10M2G	Screw	18383	101VH	Handle Knob Seal
15891	10CNR	Idle Gear B (Large)	17778	10TPL	Rotor Nut	18384	101VJ	Handle Assembly
16740	10345	Drag Washer	17792	106UZ	Oscillating Pawl	18680	10SAD	Washer
16742	10C1A	Drag Washer	17810	10DLW	Drag Knob	18681	10PMH	Screw
16795	10JXT	Oscillating Slider Bushing	17812	10BSL	Spool Washer	18682	10S16	Roller Clutch Assembly
16931	10B8N	Drag Washers Retainer	17816	10DMA	Bail Trip Lever	21398	10RKQ	Washer
17052	10N4J	Handle Screw Cap	17819	10DNZ	Bail Hold Support Guard			
17190	107L4	Bearing Water Proof	17820	10GR6	Washer	16362	109UZ	Line Band (accessory)
17210	10CBD	Flange Water Proof	17828	10QVK	Screw	18054	10G4L	Anti Line Slip Sticker (accessory)
17220	10PRZ	Screw	17829	10L67	Screw	18625	10NC0	Handle Knob Wrench (accessory)
17222	10ATJ	Worm Shaft Retainer	17830	10DMZ	Main Shaft Assembly			
17239	10LWG	Spool Bushing	17879	10LA3	Screw			

Please note that the number of adjusting washers may not be the same as shown in the exploded views.
(Adjustment will vary with each individual product.)