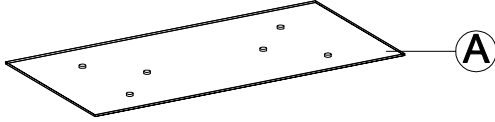


ONE COLLECT. DINING TABLE ASSEMBLY INSTRUCTIONS

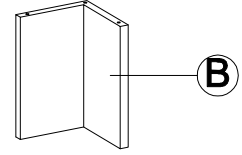


PARTS PACKING CONFIGURATIONS

BOX 1:
A. TABLE TOP 1PC



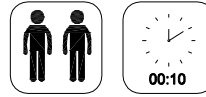
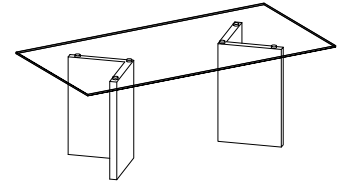
BOX 2:
B. LEG 2PCS



HARDWARE KIT PACKED IN BOX 2

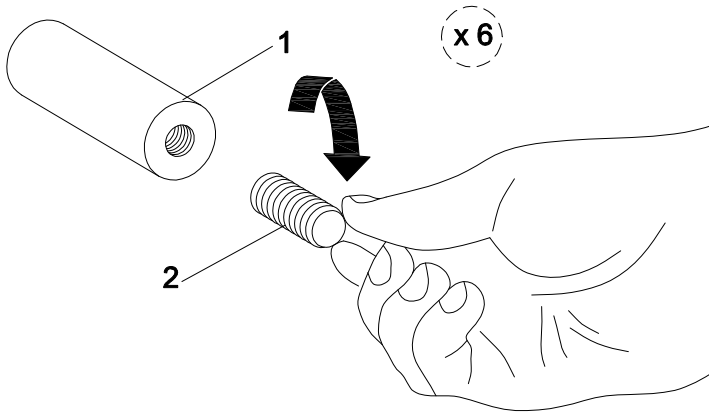
NO.	DESCRIPTION	IMAGE	Q'TY
1	THREADED BOLT SLEEVE (17x50mm)		6 PCS
2	ALL-THREADED BOLT(1/4"x20mm)		6 PCS
3	PLASTIC WASHER (30mm)		6 PCS

FULLY ASSEMBLED



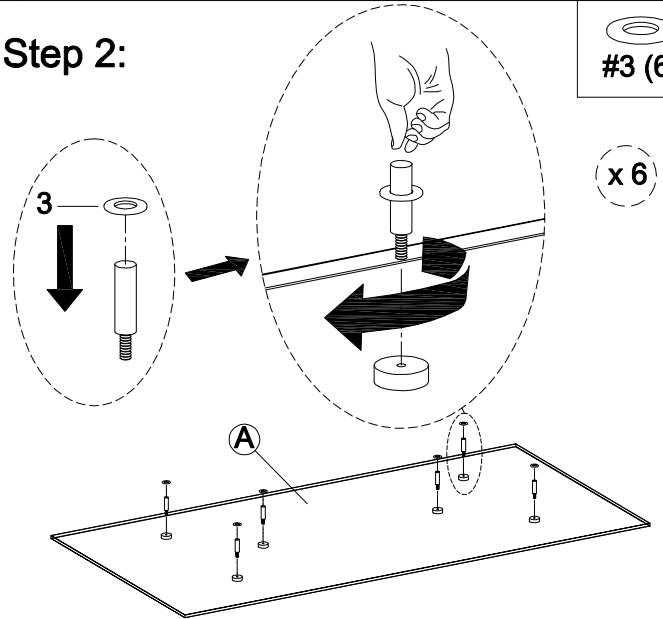
Step 1:

#1 (6) #2 (6)

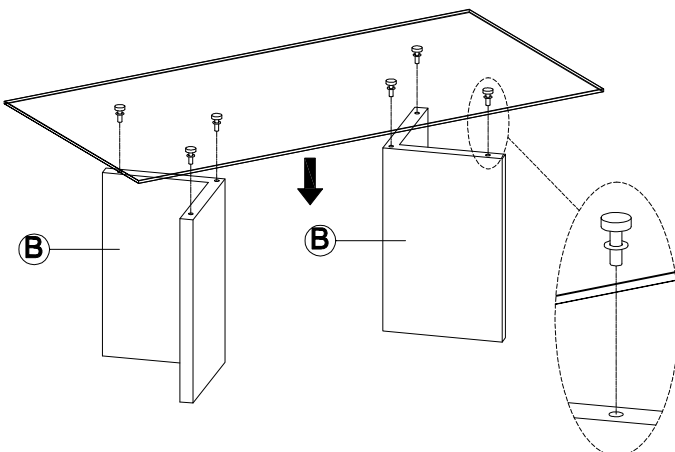


Step 2:

#3 (6)



Step 3:



ASSEMBLY COMPLETE

