



Thermostatic Shower Trim

Michael Berman Bath Collection

MB1940LM (Metal Lever - Trim Only)

MB1940XM (Cross Handle - Trim Only)

FEATURES

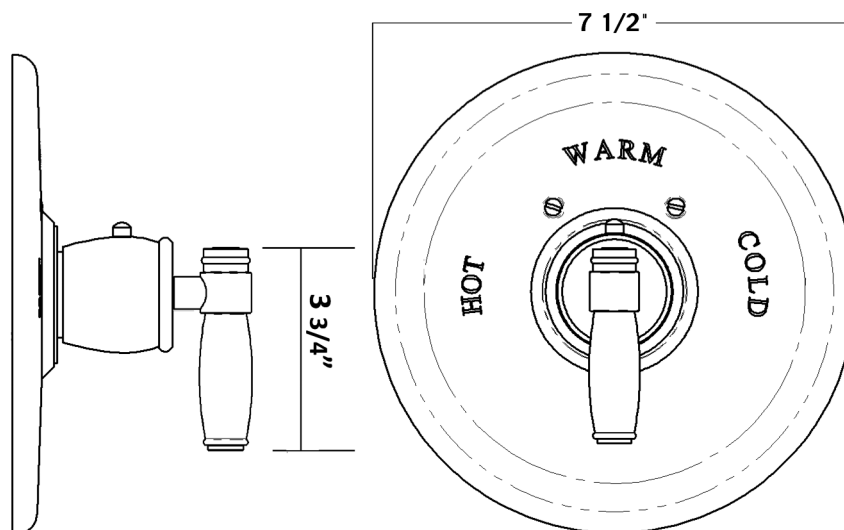
- Trim plate, escutcheon, and handle to thermostatic valve
- Integrated preset temperature stop
- Components made of brass
- Lever handle
- Temperature control only
- Extension kit C7913SET sold separately
- For use with the R1085BO thermostatic valve
- Alternate valve option: A4913BO

COLORS/FINISHES

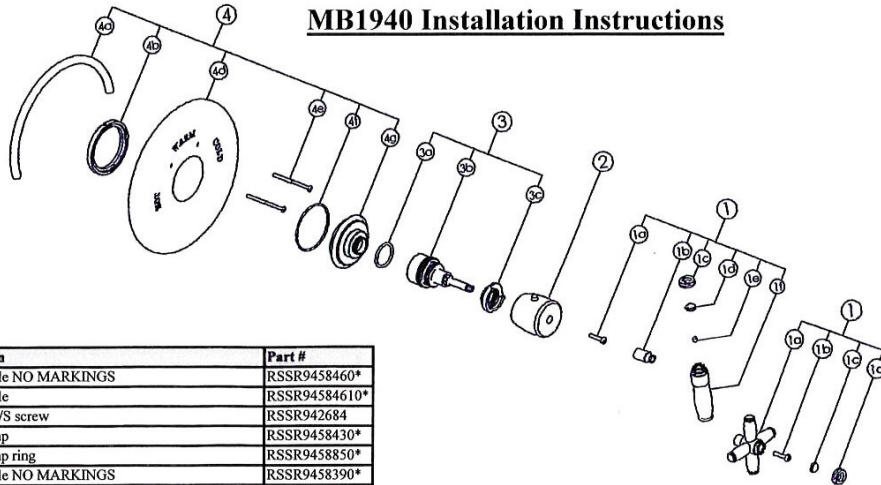
- Polished Chrome
- Polished Nickel
- Satin Nickel
- Tuscan Brass
- Inca Brass

WARRANTY

- Limited Lifetime*
- * No Warranty on Tuscan Brass Finish (TCB)



Installation Instructions

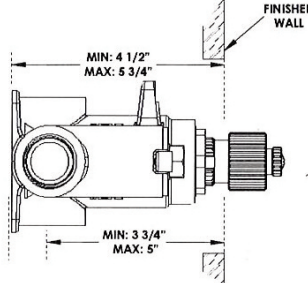


MB1940 Installation Instructions

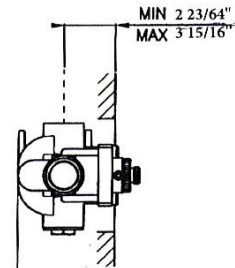
Item	Description	Part #
1	Cross handle NO MARKINGS	RSSR9458460*
1a	Cross handle	RSSR94584610*
1b	M4 X 60 C/S screw	RSSR942684
1c	Indicator cap	RSSR9458430*
1d	Indicator cap ring	RSSR9458850*
1	Lever handle NO MARKINGS	RSSR9458390*
1a	M4 X 60 C/S screw	RSSR942684
1b	Handle spacer	RSSR9458440*
1c	Indicator cap retaining ring	RSSR9458850*
1d	Indicator cap	RSSR9458430*
1e	M4 X 6 Grub screw	RSSR942765
2	Thermostatic handle shroud	RSSR9458640*
3	Thermostatic splined adaptor kit	RSSR945863
3a	A-121 O'ring	RSSR9200121
3b	Thermostatic splined adaptor	N/A
3c	Thermostatic stop	RSSR945869
4	Thermostatic faceplate complete	RSSR9465020*
4a	Sealing gasket	RSSR9452310
4b	Faceplate locking ring	N/A
4c	Screw spacers	N/A
4d	Thermostatic faceplate	N/A
4e	M4 X 60 C/S screw	RSSR942684
4f	A-035 O'ring	RSSR9200035
4g	Faceplate escutcheon	N/A
* Items available in Polished Chrome, Polished Nickel, Satin Nickel, Tuscan Brass, Inca Brass		

Thermostatic Valve options:

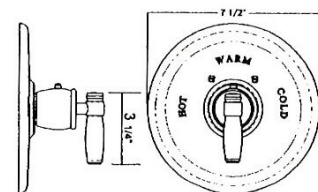
Thermostatic valve model R1085BO
Rough-in Dimensions



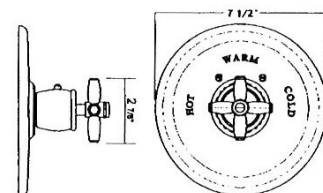
Thermostatic valve model A4913BO
Rough-in Dimensions



MB1940LM



MB1940XM



Pre-Installation:

Before installing the trim, measure the temperature of water out of an open outlet, to ensure factory setting of 100 degrees.

Installation of Trim:

Please note: The trim is preassembled out of the box. You do not need to disassemble to install.

- Mount Sealing Gasket (4a) into Faceplate (4d)
- Fit on white plastic extensions to stem of valve, if needed.
- Install Faceplate (4d) and engage spline on the valve into the Thermostatic spline adapter (3b) with the handle at the 6 o'clock position.
- Tighten finished M4x60 C/S Screws (4c) into Faceplate (4d)

Installation Instructions

GUARANTEE TO THE CONSUMER

WARRANTY

ROHLLLC warrants this product to be free from defects in materials or workmanship for as long as the original consumer purchaser owns their home.

ROHLLLC will provide free of charge, at its option, replacement part(s) or product (or a comparable alternative product) to replace those which have proven defective in materials or workmanship. We will not assume liability for labor expended or damages accruing from the use of material purchased from us. If material is defective, the limit of damage is the price of the defective material.

Proof of purchase (original sales receipt) from the original consumer purchaser must be made available to ROHLLLC for all warranty claims. The warranty is not transferable and is extended solely to the original purchaser of the product.

WARRANTY EXCLUSION

This warranty is for normal domestic use only and excludes defect or injury caused by or resulting from misuse, abuse or neglect, accidental damage or improper installation. The lifetime limited warranty does not apply to replacement of components where damage is caused by normal wear and tear.

WARRANTY WILL BE INVALID IF:

- A. The product has not been correctly installed (whether by a plumber, contractor, service provider or member of the purchaser's household) in accordance with the manufacturer's instructions.
- B. The surface finish of the product has been damaged by use of unsuitable cleaning agents or improper materials, i.e. damage by agents containing acidic, corrosive, abrasive or alcohol-based substances or through scouring the surface by abrasive cloths.
- C. Damage has occurred to component parts due to foreign materials in the water supply (e.g. stones, metal shavings). All water lines must be flushed clear of all debris prior to installing the product. It is strongly recommended that in areas where foreign materials may be present in the water supply, an inline filter be fitted on both the Hot and Cold inlets. This will ensure your warranty remains valid.
- D. The product has been exposed to excessive high water temperature (above 80° Celsius or 175° Fahrenheit).

PARTS ONLY WARRANTY

This warranty does not cover labor charges incurred and / or damage sustained in installation, repair or replacement, nor incidental or consequential damages.