



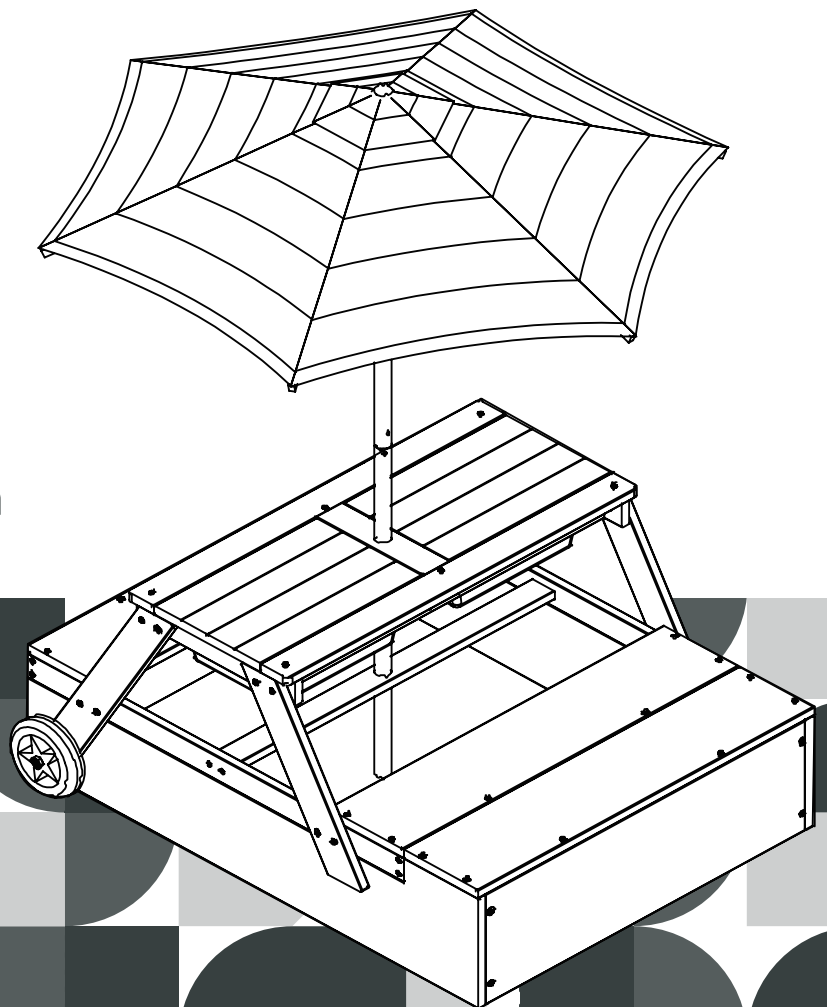
Extended Warranty  
Sign Up

E-1224

Welcome to a  
world of imagination,  
fun and learning.

T-OD-0031-00A

Sorrento Outdoor  
Wooden 2 in 1 Picnic  
Table & Sandbox With  
Umbrella



**⚠ WARNING**

CHOKING HAZARD - Small Parts  
Not for children under 3 years  
The product is to be assembled  
by an adult.

# Warranty

All components are warranted by the manufacturer for a period of 30 days after the date of purchase by the original owner against defects in materials & workmanship under normal use. If it is appropriate to replace your product due to specific defects, the manufacturer will replace the purchase with the same product or a comparable product.

For specific instructions on how to obtain warranty service for your product, please contact Customer Service using the contact information provided.

## Global Customer Service

**USA / CA** — ✉ [support@teamson.com](mailto:support@teamson.com)  
+1(770) 246-4898  
Mon - Fri 9 AM - 4 PM EST



**EU / UK** — ✉ [support@teamson.co.uk](mailto:support@teamson.co.uk)  
+44(0)1952-916-050  
Mon - Thur 9 AM - 5 PM GMT  
Fri 9 AM - 4 PM GMT



**ASIA** — 深圳办公室：  
✉ [sales\\_ec@teamson.com](mailto:sales_ec@teamson.com)  
+86(0755)8885-3558.分机号108  
Mon - Sat 9 AM - 5 PM GMT+8

台北办公室：

✉ [support@teamson.com.tw](mailto:support@teamson.com.tw)  
+886(2)2556-6268  
Mon - Fri 9 AM - 5 PM GMT+8



**AU** — ✉ [support@teamson.com.au](mailto:support@teamson.com.au)

**ENGLISH** WARNING! Not suitable for children under 3 years, as there is a choking hazard from swallowable small parts. Assembly should be carried out by an adult. Prior to assembly this package contains sharp edges and sharp points. Keep away from children until assembled. Please remove all packaging attachments before giving this item to your child. Please keep this information for possible future correspondence.

**ČESKY** UPOZORNĚNÍ! Výrobek není vhodný pro děti do 3 let. Obsahuje drobné části, hrozí nebezpečí udušení. Montáž musí provádět dospělý. Design a barvy výrobků mohou být změněny bez předchozího upozornění. Před prvním použitím odstraňte všechny obaly z dosahu dětí. Tyto informace uschovejte pro případné budoucí použití.

**CROATIA** UPOZORENJE! Igračka nije prikladna za djecu mlađu od tri godine zbog malih dijelova gušenje opasnost. Skupština mora biti izvedena od strane odrasle osobe. Varijacije u boji i dizajnu, mi se pridržavamo. Uklonite sve ambalaze prije prve uporabe. Sačuvajte ove informacije za bilo koji naknadno dopisivanje.

**DUTCH** WAARSCHUWING! Niet geschikt voor kinderen beneden 3 jaar omdat er gevaar voor verstikking door inslikbare kleine voorwerpen bestaat. De montage van dit speelgoed moet door een volwassene worden uitgevoerd. Kleuren en versieringen kunnen afwijken. Verwijder alle verpakkingselementen voordat u dit speelgoed aan uw kind geeft. Bewaar deze verpakking voor een eventuele latere correspondentie.

**FRENCH** ATTENTION! Ce produit est inadapté aux enfants de moins de 3 ans, car il existe le risque d'étouffement causé par les petites pièces qui peuvent s'avaler. Le montage doit être effectué par un adulte. Nous nous réservons le droit d'apporter des modifications aux couleurs et à la conception. Retirez l'emballage et les attaches plastiques avant de donner cet article à votre enfant. Nous vous prions de conserver cette information pour une éventuelle utilisation ultérieure.

**GERMAN** ACHTUNG! Nicht geeignet für Kinder unter 3 Jahren, da Erstickungsgefahr durch verschluckbare Kleinteile besteht. Der Zusammenbau muss von einem Erwachsenen durchgeführt werden. Abweichungen in Farbe und Gestaltung behalten wir uns vor. Bitte entfernen Sie alle Verpackungsteile vor dem erstmaligen Gebrauch. Bitte bewahren Sie diese Information für evtl. spätere Korrespondenz auf.

**HUNGARY** FIGYELMEZTETÉS! Nem alkalmas 3 év alatti gyermekek, mert a kis alkatrészek fulladást okozhatnak. A szerkezetet úgy kell elvégezni egy felnőtt. Szín és design fenntartva. Kérjük, távolítsa el a csomagolást az első használat előtt. Kérjük, őrizze meg ezt az információt bármilyen későbbi vonatkozó levelezést.

**ITALIAN** AVVERTENZA! Non adatto a bambini al di sotto dei 3 anni, visto che vi è rischio di asfissamento causato dall'ingerimento di componenti piccoli. Il montaggio di questo prodotto deve essere fatto sotto di un adulto. I colori e le decorazioni possono variare. Per favore conservare la confezione nel caso ci sia bisogno di spedire indietro qualcosa.

**POLSKI** OSTRZEŻENIE! Produkt nie nadaje się dla dzieci poniżej 3-ego roku życia. Ze względu na małe części istnieje ryzyko zadławienia, poknięcia, itd. Montaż wózka powinien odbywać się pod nadzorem osoby dorosłej. Przed pierwszym użyciem proszę usunąć wszystkie elementy opakowania. Kolory i wzory mogą się różnić. Należy zachować opakowanie w przypadku konieczności wymiany.

**PORTUGAL** AVISOS! Guarde esta informação para futura referência. Não apropriado para crianças com menos de 3 anos de idade devido à existência de peças pequenas e bordas/pontas afiadas. Este brinquedo deve ser montado por um adulto. As cores e o conteúdo podem ser algo diferentes do mostrado na caixa. Retire todo elemento de embalagem antes de entregar o produto à criança.

**SLOVENIJA** OPOZORILO! Ni primerno za otroke mlajše od treh let. Nevarnost zadušitve. Majhni deli. Sestav mora opraviti odrasla oseba. Razlike v barvo in obliko, si pridržujemo pravico do. Prosimo, odstranite vse pakirni material pred prvo uporabo. Prosimo, da shranite te informacije za vsak nadaljnji korespondenci.

**SLOVENSKY** UPOZORNENIE! Výrobok nie je vhodný pre deti do 3 rokov. Obsahuje drobné časti, hrozí nebezpečenstvo udusenía. Montáž musí vykonávať dospelý. Design a farby výrobkov môžu byť zmenené bez predchádzajúceho upozornenia. Pred prvým použitím odstráňte všetky obaly z dosahu detí. Tieto informácie uschovejte pre prípadné budúce použitie.

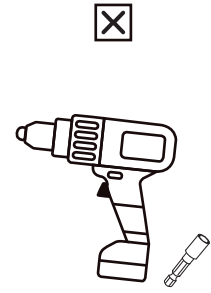
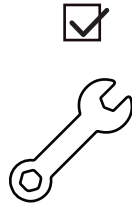
**SPAIN** ADVERTENCIA! Guarde esta información para futura referencia. No apto para niños menores de 3 años por contener piezas pequeñas, contiene bordes/puntas afiladas. Este juguete debe ser montado por un adulto. Los colores y el contenido pueden ser algo diferentes de lo mostrado en la caja. Retire todos los elementos de embalaje antes de dar el artículo a su hijo.

**SVENSKA** VARNING! Inte lämplig för barn under 3 år på grund av små delar kvävningrisk. Monteringen måste utföras av en vuxen. Färg och design är reserverade. Ta bort allt förpackningsmaterial före första användningen. Vänligen behålla denna information för eventuell senare korrespondens på.

**繁體** 警告! 需由成年人完成組裝。本產品不適於3歲以下兒童使用。本包裝包含細小零件，完成組裝前，請慎防兒童吞食小零件，避免窒息危險，且可能有鋒利邊緣及尖角，所以組裝完成前應置於兒童不能觸及之處，並遠離火源。

**簡體** 警告! 需要成年人組裝。不適合三歲以下的兒童使用。完成組裝前，本包裝包含細小零件，可能引發窒息危險；以及包含鋒利邊緣和尖角，所以完成組裝前，請確保其遠離兒童。





## MISSING A PART ? CONTACT US INSTEAD OF RETURNING TO THE STORE

*The store where you made your purchase does not stock parts for this item. If you have any questions or you are missing or have a damage part, please contact*

✉ [support@teamson.com](mailto:support@teamson.com)

+1(770) 246-4898 | [www.teamson.com](http://www.teamson.com)



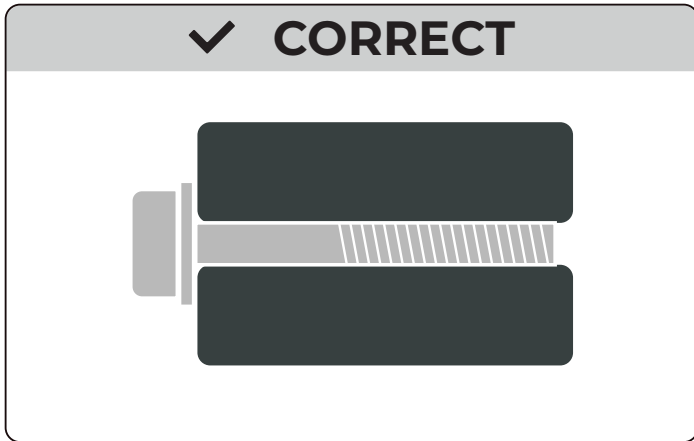
### Select Protective Surfacing

- One of the most critical steps in reducing the risk of serious head injuries is installing shock-absorbing surfacing under and around your playground equipment. The protective surface should meet **ASTM F1292** standards and be installed according to equipment height.
- **Do not** install playground equipment over concrete, asphalt, or other hard surfaces, as a fall can cause serious injury. Grass and dirt are not considered adequate protective surfaces because their shock absorption degrades over time.

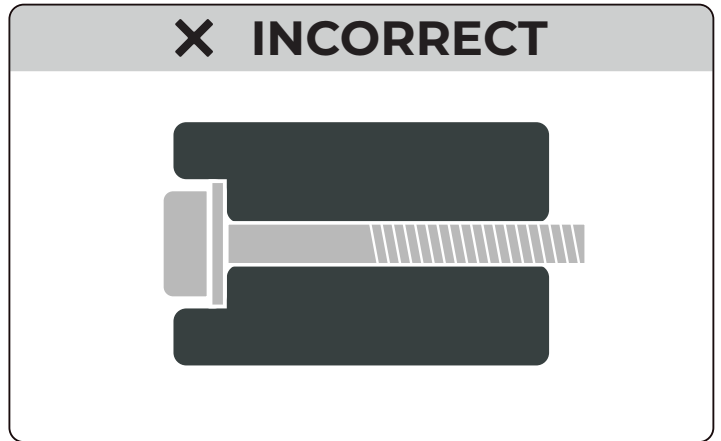
### Poured-In-Place Surfaces and Rubber Tiles

- For a professional-grade option, you may consider **poured-in-place rubber or rubber tiles**. These surfaces must be installed by professionals and must meet the **ASTM F1292** safety standard. Be sure to check the manufacturer's reports to verify the surface protects against falls from your equipment's height.
- Regularly inspect the surfacing for wear and tear to ensure ongoing protection.

## ⚠ Protrusion Hazard

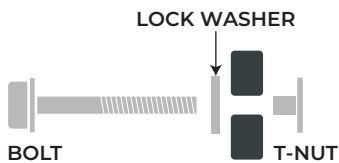


Bolt is flush with the T-Nut.



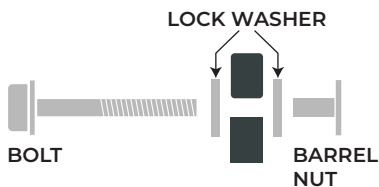
Bolt extends beyond the T-Nut, causing a potential hazard.

## Proper Hardware Assembly



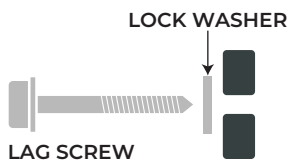
### BOLT AND T-NUT ASSEMBLY

Tap T-nut into the provided hole. Insert your bolt through the lock washer and insert into the provided hole opposite from the T-Nut. Turn clockwise to thread into T-nut. Do not completely tighten until instructed.



### BOLT AND BARREL NUT ASSEMBLY

Insert barrel nut through the lock washer and press the pair through the provided hole. Insert your bolt through the second lock washer and insert the pair into the provided hole opposite from the barrel nut. Turn clockwise to thread into the barrel nut. Do not completely tighten until instructed.



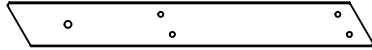
### LAG ASSEMBLY

Normally there will be a pre-drilled pilot hole on assemblies that require a Lag Screw. If there is no pilot hole, line up the two boards as they are to be attached and use the factory drilled hole as a guide to drill another pilot hole into the adjoining board. This will keep the wood from splitting. Only a lock washer is required for steps with Lag Screws.

# Wood Parts (Not actual size)

**0106** Oblique Support Right - 3000106

(x1) - 11/16" x 2 3/4" x 22 13/16"



**0107** Stool Surface - 3000107

(x3) - 11/16" x 6 11/16" x 30 1/16"



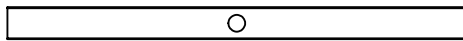
**0108** Slide Rail Baffle - 3000108

(x2) - 11/16" x 2" x 4 3/8"



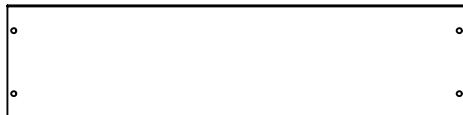
**0109** Slide Rail Support - 3000109

(x1) - 11/16" x 2" x 28 5/8"



**0110** Sandbox Front Panel - 3000110

(x1) - 11/16" x 7 1/16" x 28 5/8"



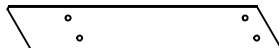
**0111** Slide Rail Board A - 3000111

(x2) - 11/16" x 2" x 28 5/8"



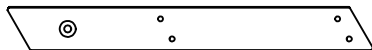
**0112** Oblique Support Short - 3000112

(x2) - 11/16" x 2 3/4" x 17 1/16"



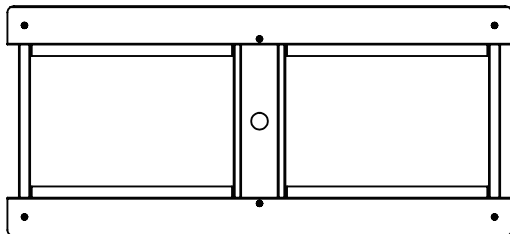
**0113** Oblique Support Left - 3000113

(x1) - 11/16" x 2 3/4" x 22 13/16"



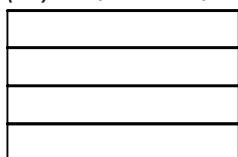
**034** Tabletop - 37000034

(x1) - 2 11/16" x 14 3/8" x 31 1/2"



**035** Sink Lid - 37000035

(x2) - 1 7/16" x 9 7/16" x 14 7/16"



# Wood Parts (Not actual size)

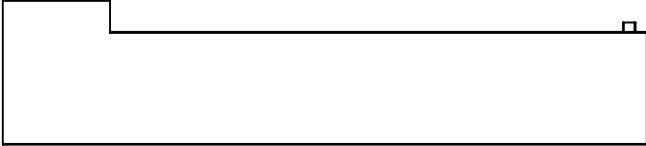
**036 Sandbox Back Panel - 37000036**

(x1) - 1 7/16" x 9 1/16" x 28 5/8"



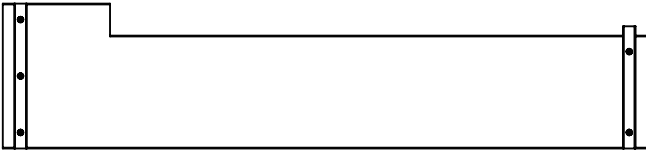
**037 Sandbox Left Panel - 37000037**

(x1) - 1 1/2" x 9 1/16" x 40 1/4"



**038 Sandbox Right Panel - 37000038**

(x1) - 1 1/2" x 9 1/16" x 40 1/4"



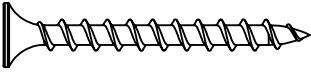
**039 Slide Rail Board B - 37000039**

(x2) - 1 1/16" x 2" x 33 9/16"

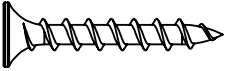


# Hardware (Actual Size)

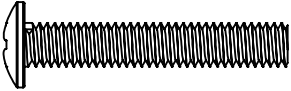
**S14 Wood Screw**  
(x30) - #8 x 1-5/8"



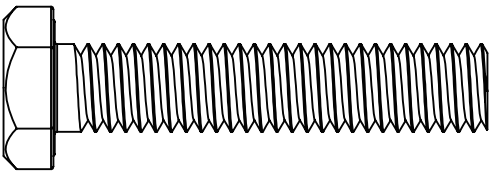
**S16 Wood Screw**  
(x4) - #8 x 1-1/8"



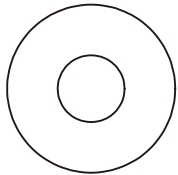
**PB7 Pan Bolt**  
(x24) - 1/4" x 1-3/8"



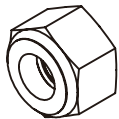
**G30 Hex Bolt**  
(x2) - 7/16" x 2 1/4"



**FW10 Flat Washer**  
(x4) - 7/16"



**LN3 Lock-Nut**  
(x2) - 7/16"

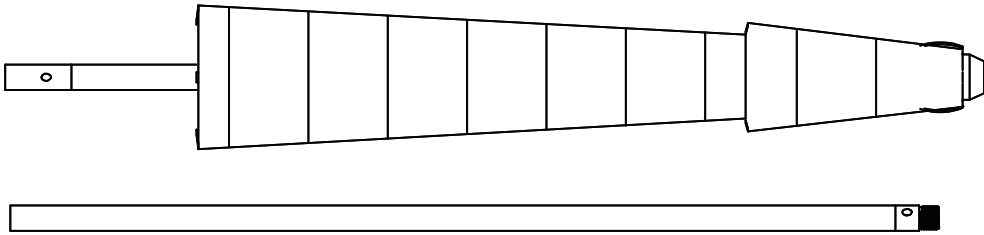




## Accessory Parts (Not actual size)

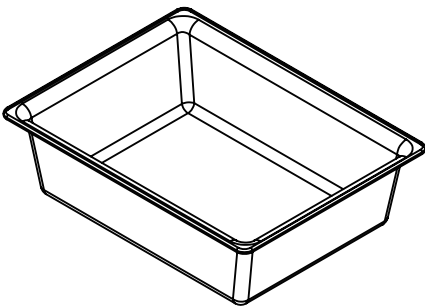
**2204007**

*Umbrellas (x1)*



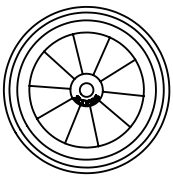
**2104034**

*Plastic Basin (x2)*



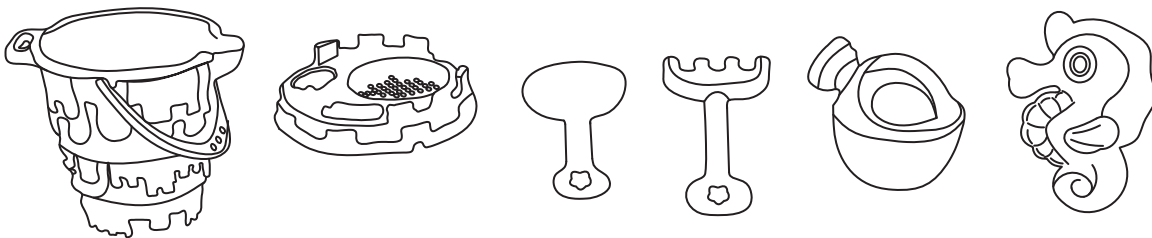
**2104035**

*Wheel (x2)*



**2104030**

*Sandbox Bucket Set(X1)*



\*May vary for each item

# Step 1

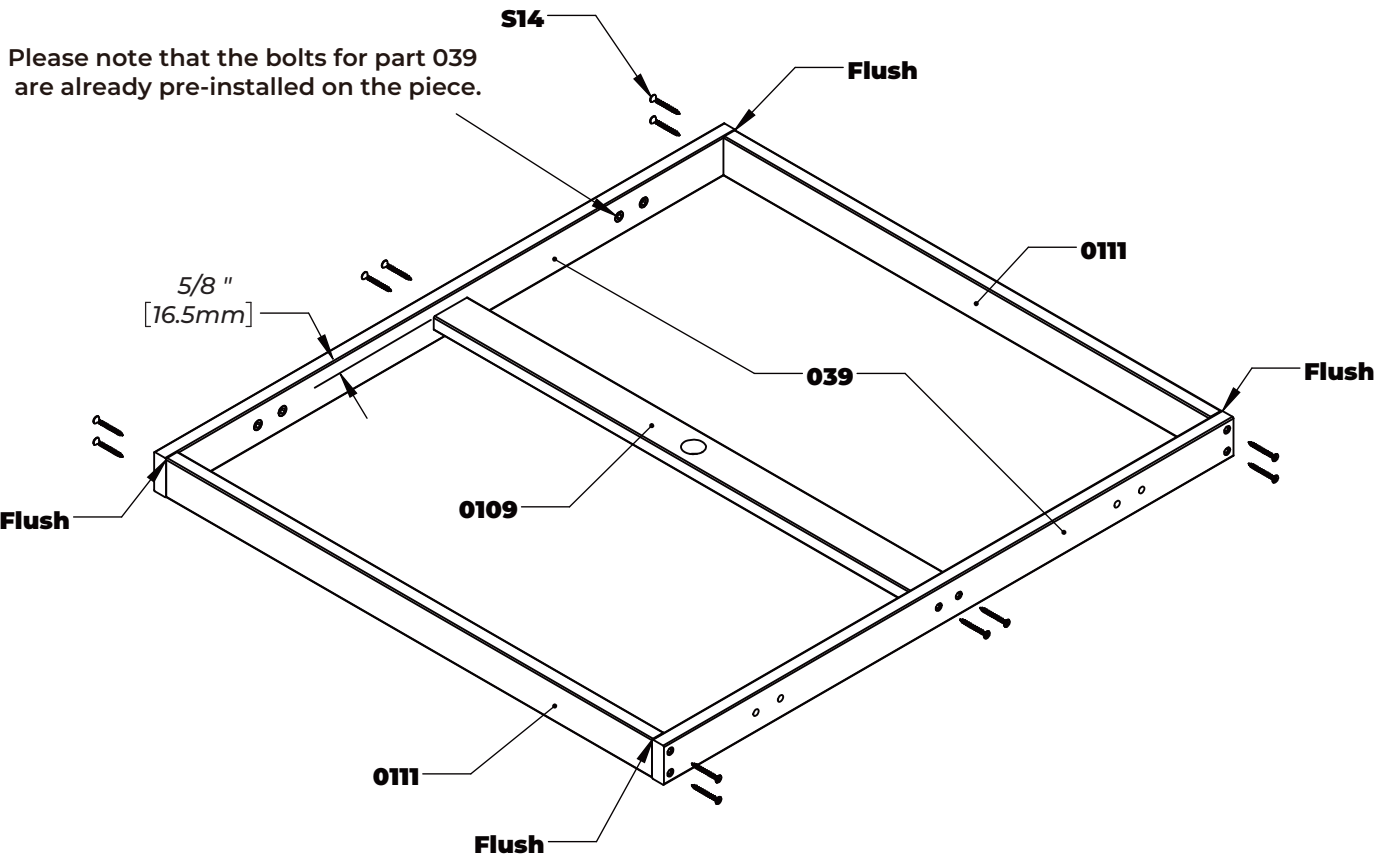
## Wood Parts

**0109** Slide Rail Support - 3000109  
(x1) - 11/16" x 2" x 28 5/8"  
**0111** Slide Rail Board A - 3000111  
(x2) - 11/16" x 2" x 28 5/8"

**039** Slide Rail Board B - 37000039  
(x2) - 11/16" x 2" x 33 9/16"

## Hardware

**S14** Wood Screw  
(x12) - #8 x 1-5/8"



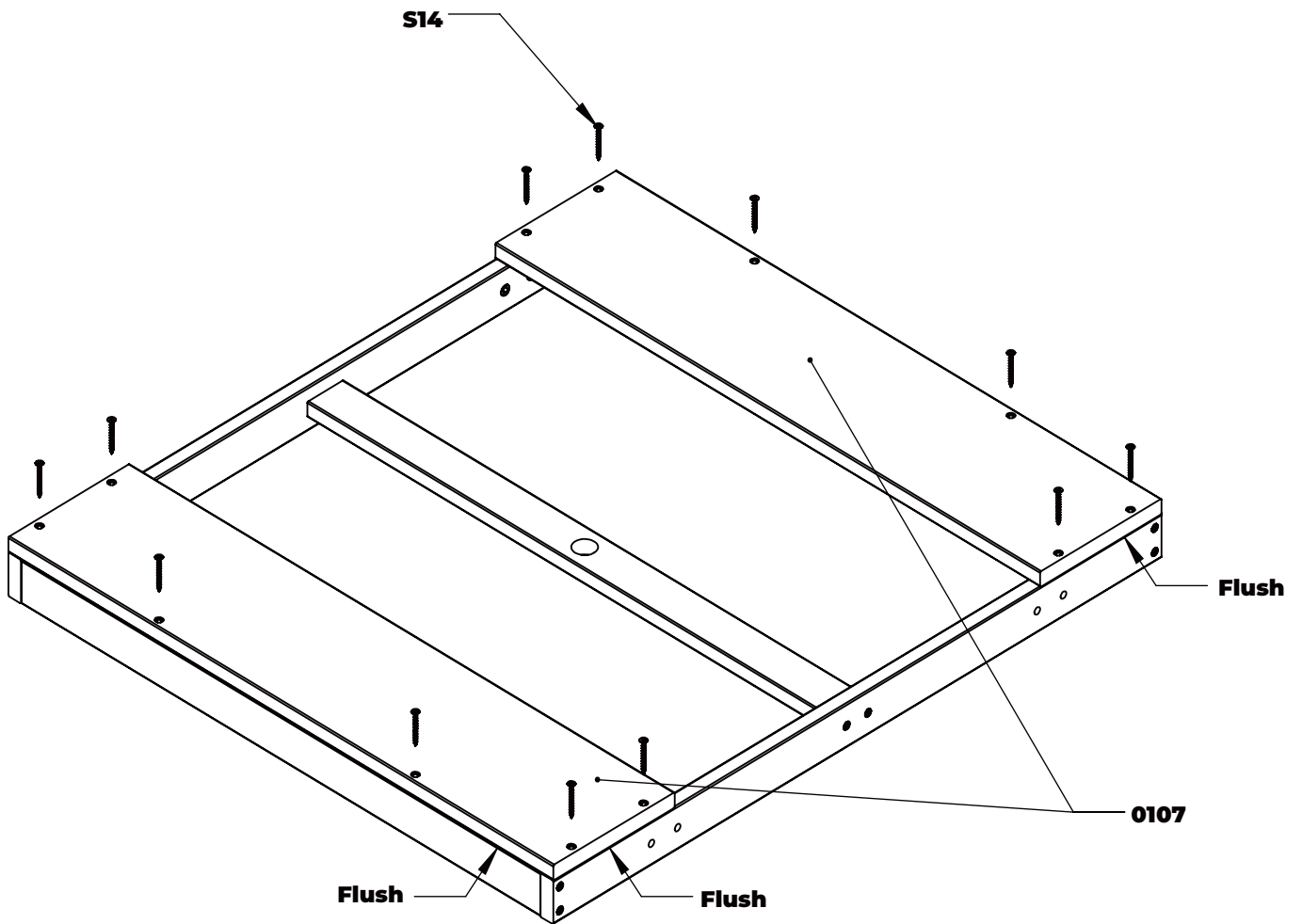
## Step 2

### Wood Parts

**0107** Stool Surface - 3000107  
(x2) - 11/16" x 6 11/16" x 30 1/16"

### Hardware

**S14** Wood Screw  
(x12) - #8 x 1-5/8"



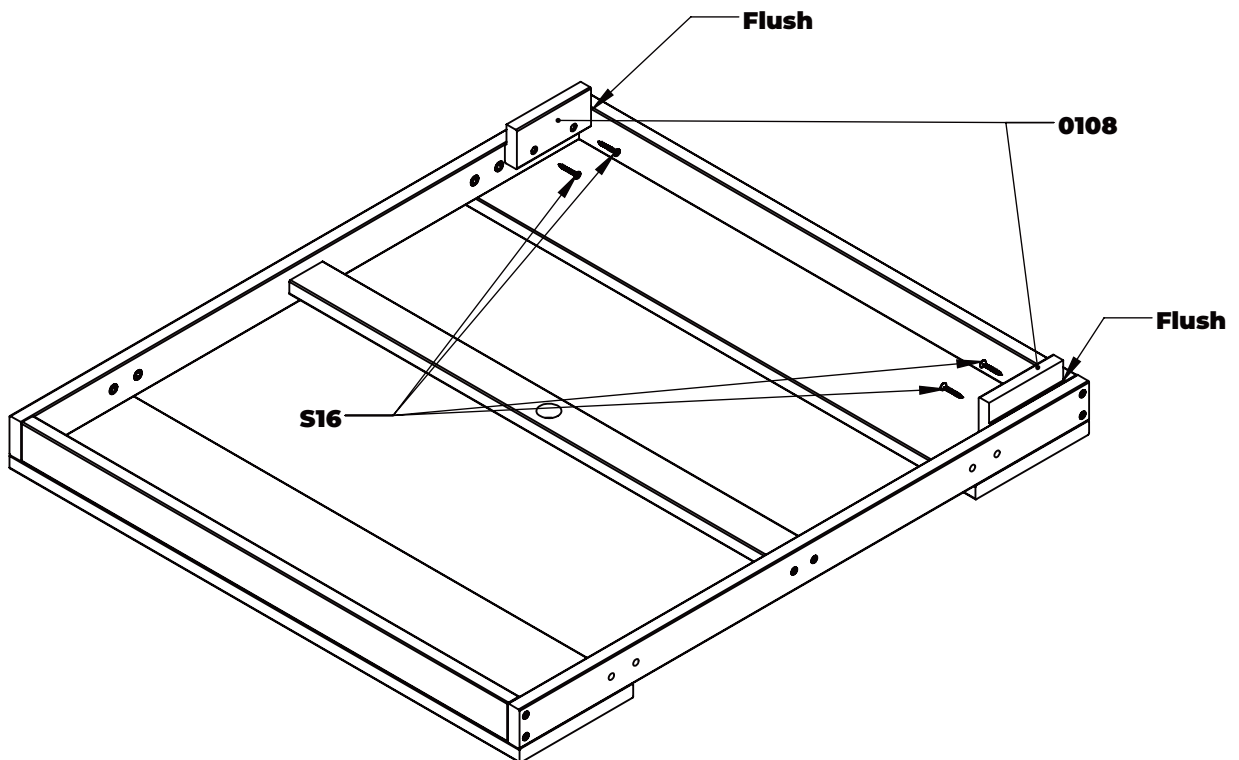
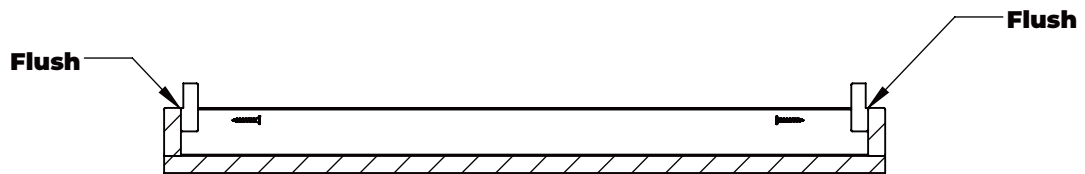
### Step 3

#### Wood Parts

**0108** Slide Rail Baffle - 3000108  
(x2) - 11/16" x 2" x 4 3/8"

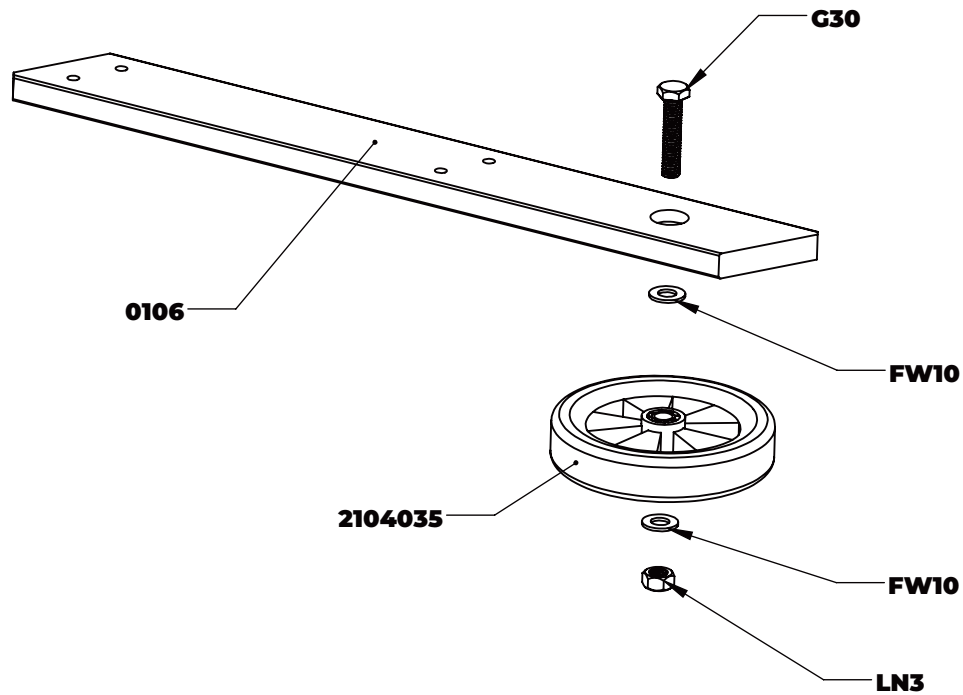
#### Hardware

**S16** Wood Screw  
(x4) - #8 x 1-1/8"

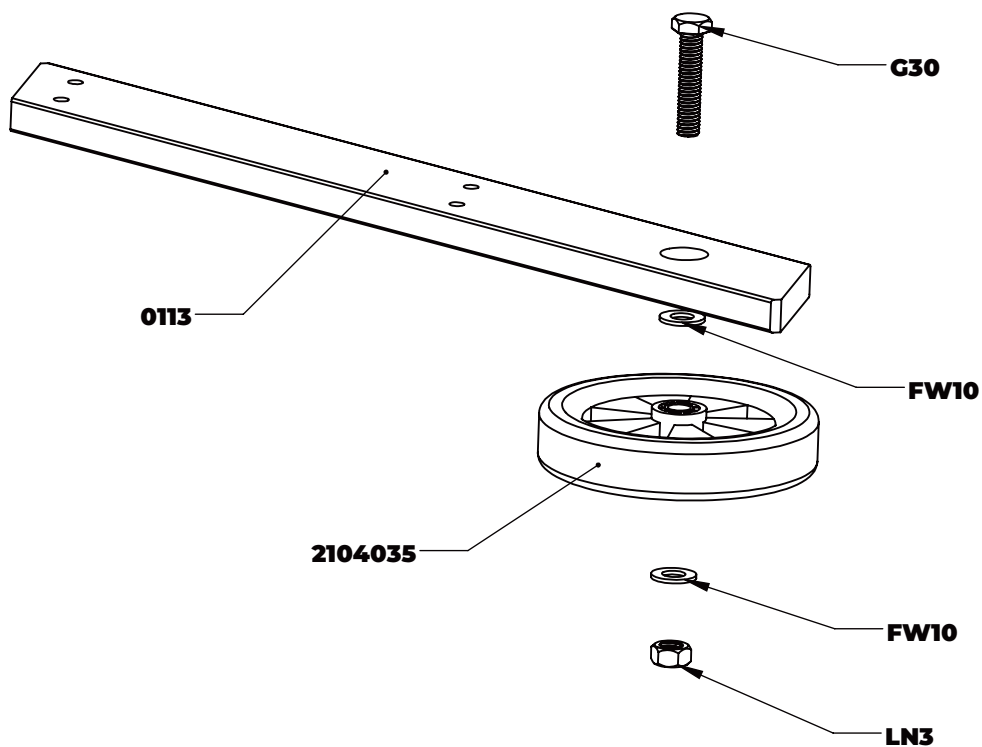


## Step 4

Wood Parts	Hardware	Accessory
<b>0106</b> Oblique Support Right (x1) - 11/16" x 2 3/4" x 22 13/16"	<b>G30</b> Hex Bolt (x2) - 7/16" x 2 1/4"	<b>2104035</b> Wheel (x2)
<b>0113</b> Oblique Support Left (x1) - 11/16" x 2 3/4" x 22 13/16"	<b>FW10</b> Flat Washer (x4) - 7/16"	
	<b>LN3</b> Lock-Nut (x2) - 7/16"	



Ensure bolts are not fully tightened; they should be flush with the nylon nuts.



## Step 5

### Wood Parts

**036** Sandbox Back Panel  
(x1) - 1 7/16" x 9 1/16" x 28 5/8"

**037** Sandbox Left Panel  
(x1) - 1 1/2" x 9 1/16" x 40 1/4"

**038** Sandbox Right Panel  
(x1) - 1 1/2" x 9 1/16" x 40 1/4"

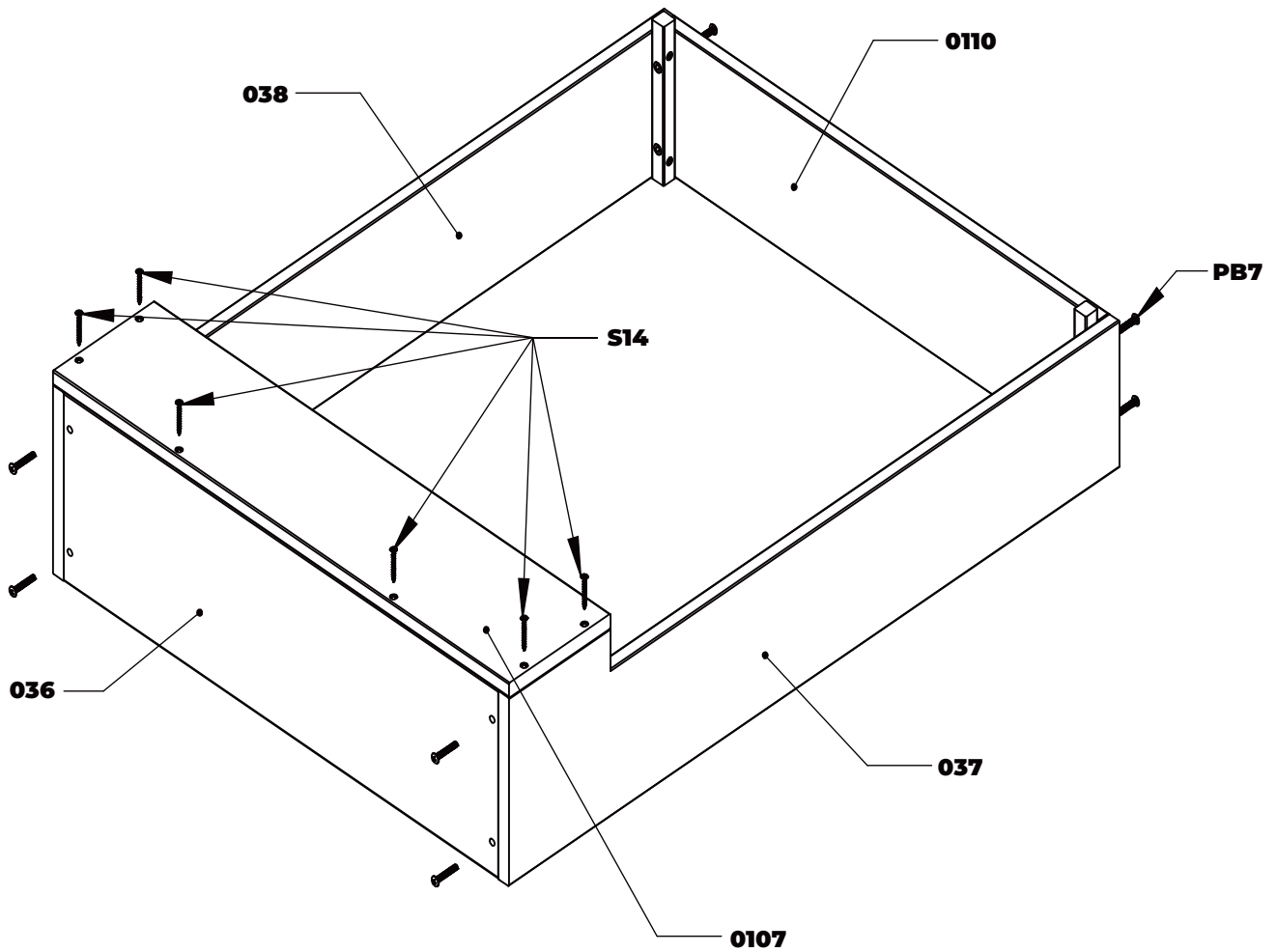
**0107** Stool Surface  
(x1) - 11/16" x 6 11/16" x 30 1/16"

**0110** Sandbox Front Panel  
(x1) - 11/16" x 7 1/16" x 28 5/8"

### Hardware

**S14** Wood Screw  
(x6) - #8 x 1-5/8"

**PB7** Pan Bolt  
(x8) - 1/4" x 1-3/8"



## Step 6

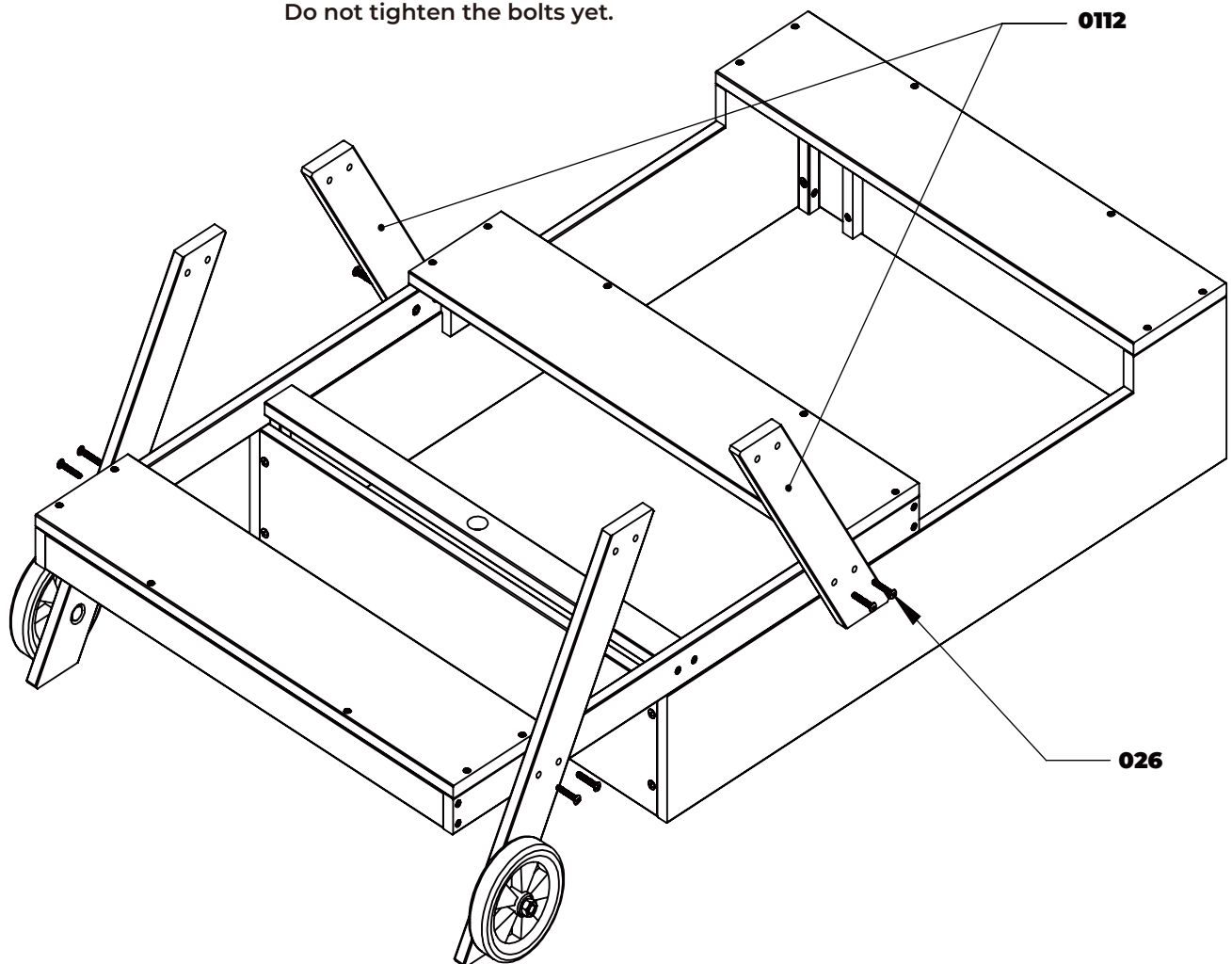
### Wood Parts

**0112** Oblique Support Short  
(x2) - 11/16" x 2 3/4" x 17 1/16"

### Hardware

**PB7** Pan Bolt  
(x8) - 1/4" x 1-3/8"

Do not tighten the bolts yet.



## Step 7

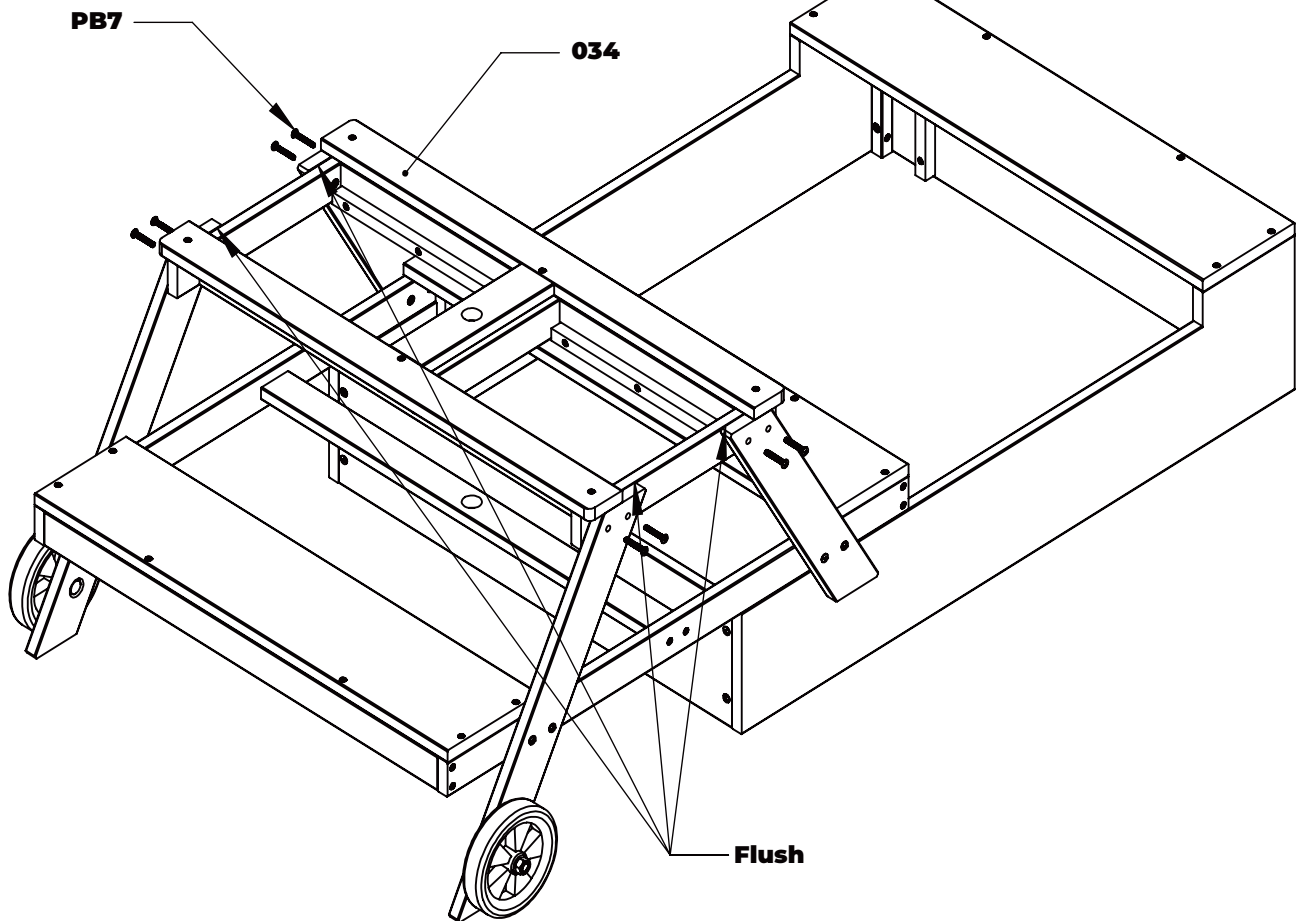
### Wood Parts

**034** Table Top  
(x1) - 2 11/16" x 14 3/8" x 31 1/2"

### Hardware

**PB7** Pan Bolt  
(x8) - 1/4" x 1-3/8"

Tighten the bolts from the previous step.





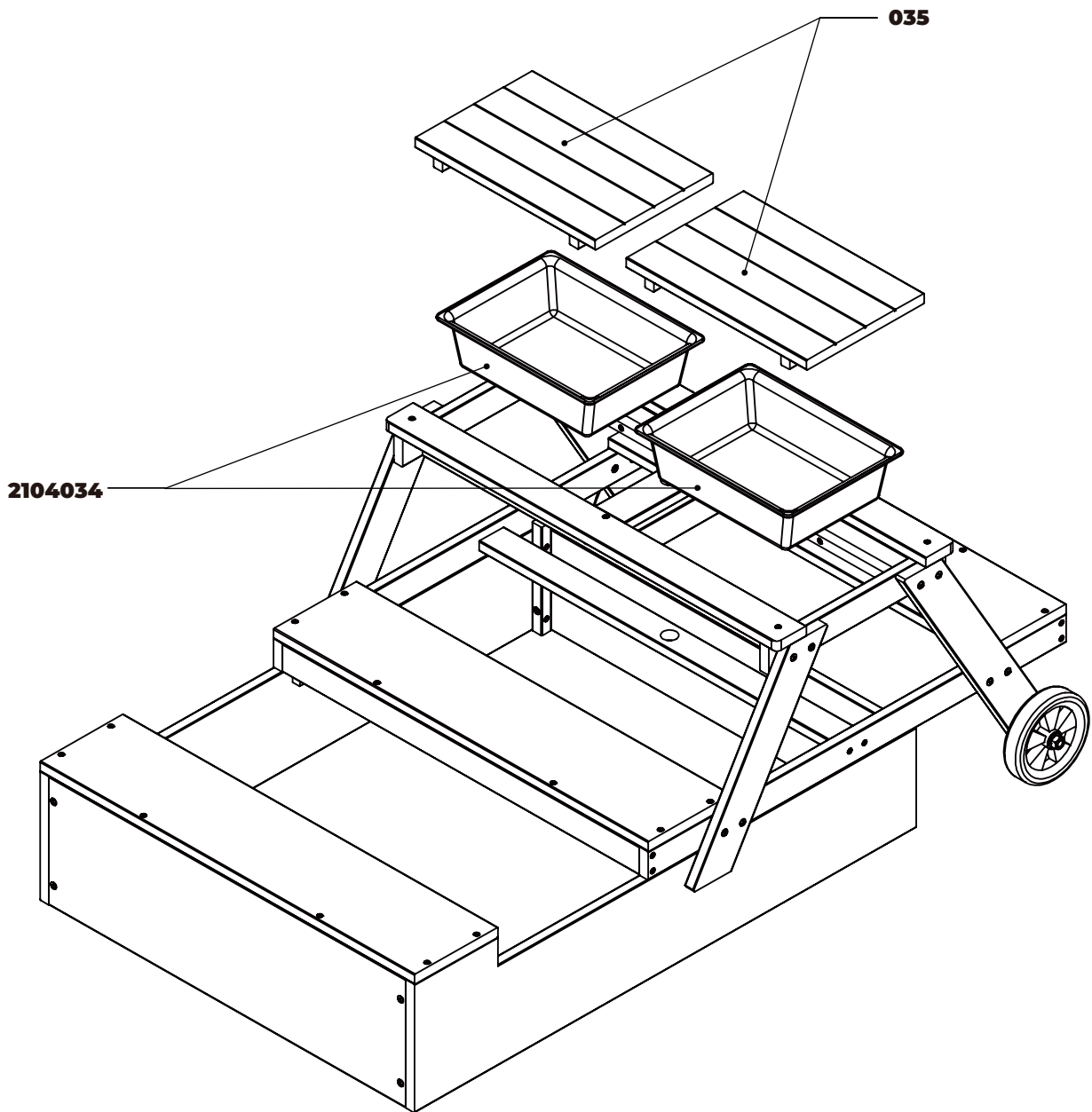
## Step 8

### Wood Parts

**035 Sink Lid**  
(x2) - 17/16" x 9 7/16" x 14 7/16"

### Accessory

**2104034**  
Plastic Basin (x2)



## Step 9

### Accessory

**2204007**  
Umbrellas (x1)

Remove the umbrella before moving the table and chairs.

