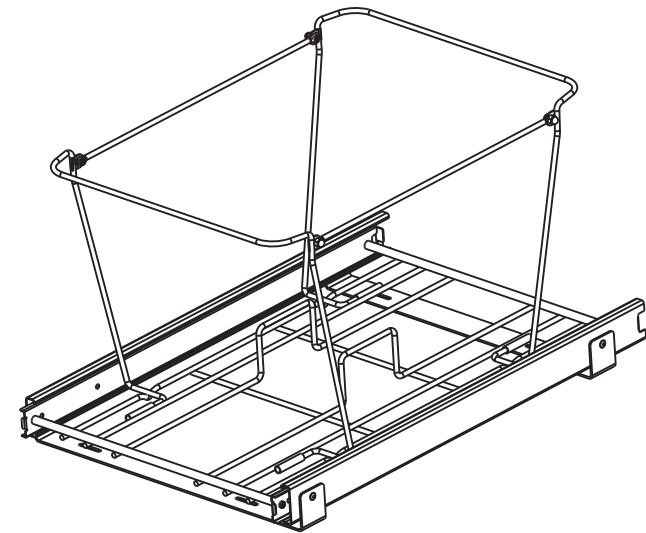
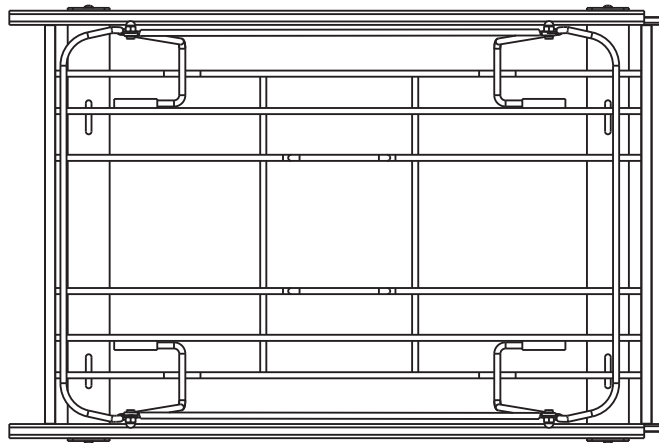
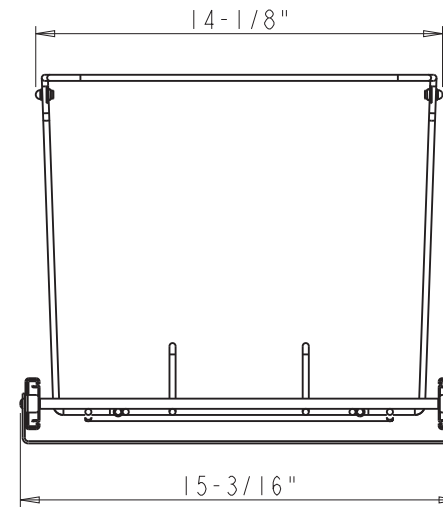
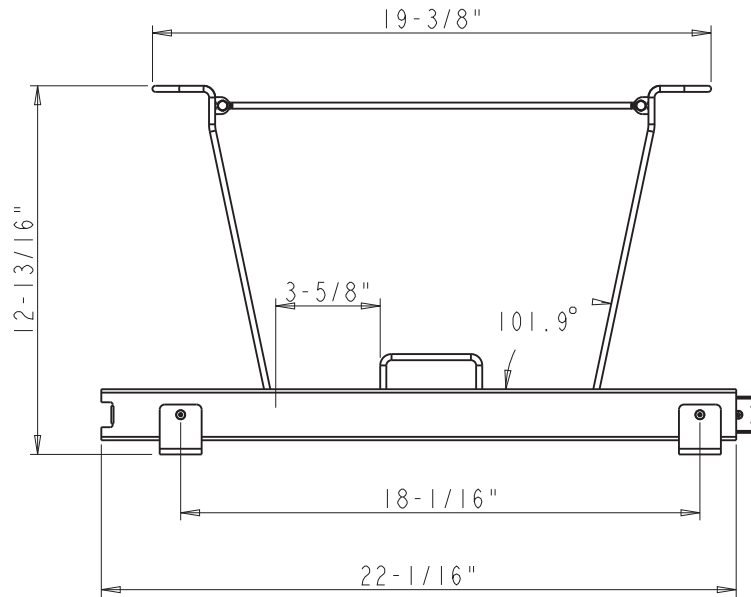
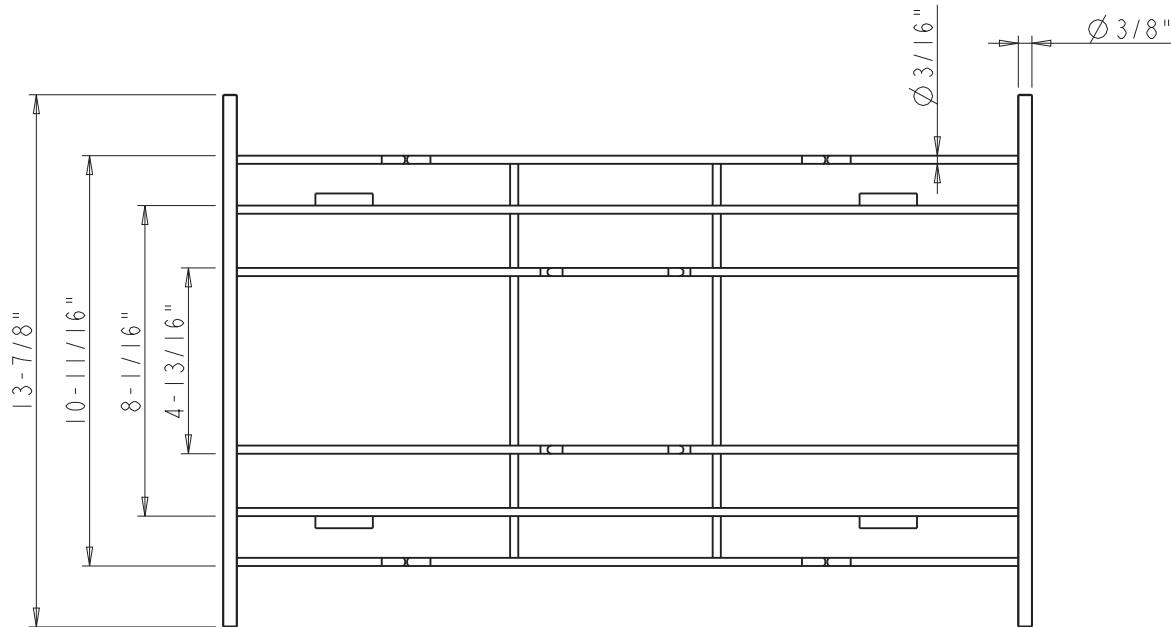
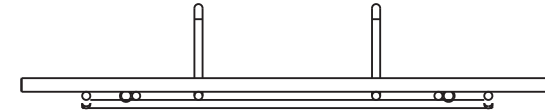
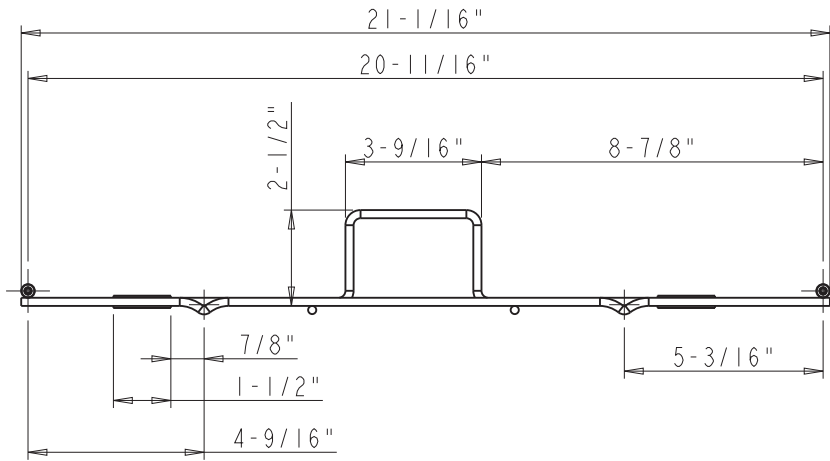


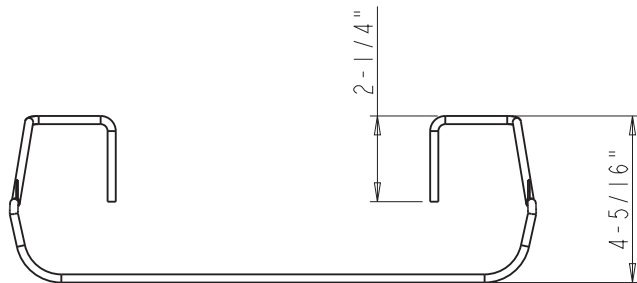
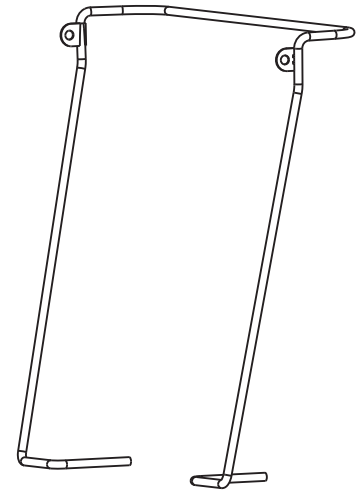
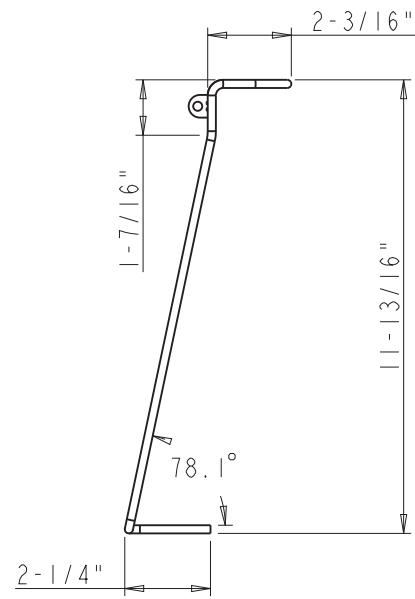
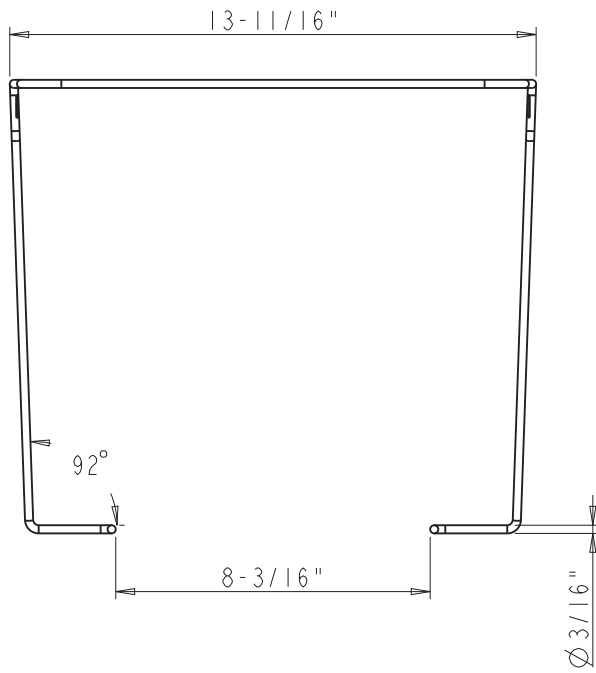
	ITEM#: CAN-EBMDB50-R		MATERIAL:	
	FINISH:		WEIGHT: 0.000 g	
	PROJECTION			
PROPRIETARY AND CONFIDENTIAL THE INFORMATION CONTAINED IN THIS DRAWING IS THE SOLE PROPERTY OF HARDWARE RESOURCES INC. ANY REPRODUCTION IN PART OR AS A WHOLE WITHOUT THE WRITTEN PERMISSION OF HARDWARE RESOURCES INC. IS PROHIBITED.	TOLERANCE UNLESS OTHERWISE SPECIFIED: X ±0.20 XX ±0.10 XXX ±0.05 ANGULAR: ±0.5° DO NOT SCALE DRAWING	UNITS: SIZE: SHEET:	DRAWN BY: <i>Hugo.cai</i> APPROVED BY: RELEASE LEVEL:	DATE: 02-11-15 DATE: REVISION:



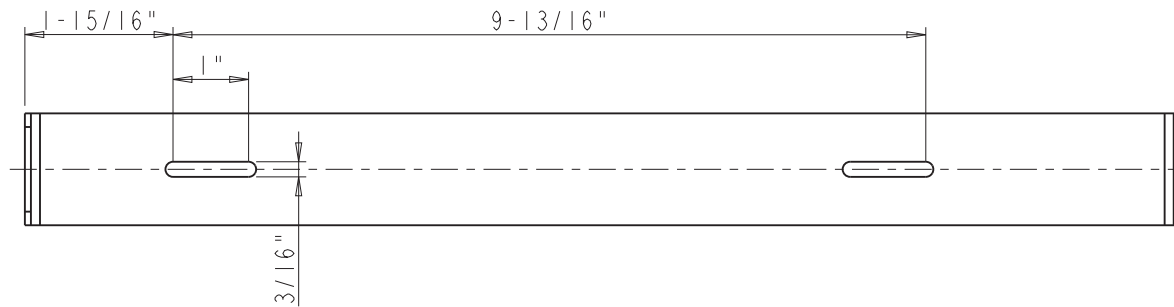
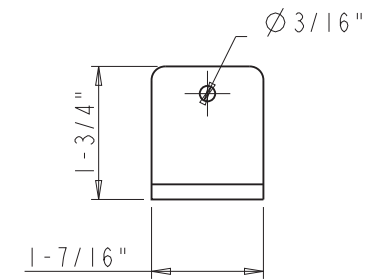
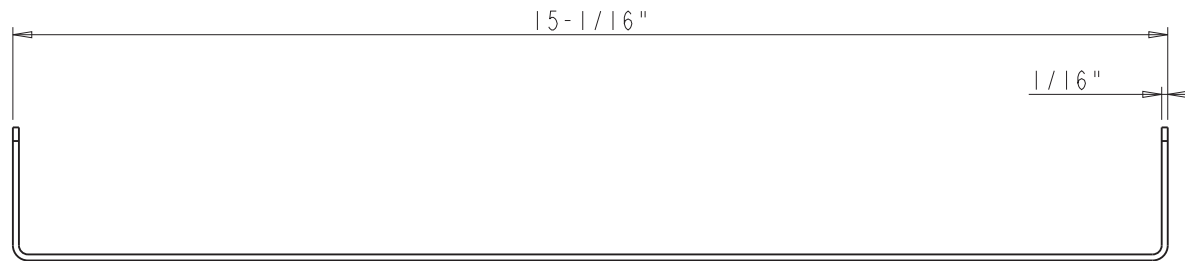
	ITEM#: CAN-EBMDB50-R	MATERIAL:	
	FINISH:	WEIGHT: 0.000 g	
PROPRIETARY AND CONFIDENTIAL THE INFORMATION CONTAINED IN THIS DRAWING IS THE SOLE PROPERTY OF HARDWARE RESOURCES INC. ANY REPRODUCTION IN PART OR AS A WHOLE WITHOUT THE WRITTEN PERMISSION OF HARDWARE RESOURCES INC. IS PROHIBITED.	TOLERANCE UNLESS OTHERWISE SPECIFIED: X ±0.20 XX ±0.10 XXX ±0.05 ANGULAR: ±0.5° DO NOT SCALE DRAWING	PROJECTION	
	UNITS: A4 SIZE: A4 SHEET: 2 OF 5	DRAWN BY: <i>Hugo.cai</i> APPROVED BY: RELEASE LEVEL:	DATE: 02-11-15 DATE: REVISION:



	ITEM:	LAJIJA		MATERIAL:
	FINISH:			WEIGHT: 0.000 g
PROPRIETARY AND CONFIDENTIAL THE INFORMATION CONTAINED IN THIS DRAWING IS THE SOLE PROPERTY OF HARDWARE RESOURCES INC. ANY REPRODUCTION IN PART OR AS A WHOLE WITHOUT THE WRITTEN PERMISSION OF HARDWARE RESOURCES INC. IS PROHIBITED.	TOLERANCE UNLESS OTHERWISE SPECIFIED: X ±0.20 XX ±0.10 XXX ±0.05 ANGULAR: ±0.5° DO NOT SCALE DRAWING		UNITS: DRAWN BY: <i>Hugo.cai</i>	DATE: 02-11-15
	SHEET:	RELEASE LEVEL:	REVISION:	PROJECTION



<p>hardware resources</p> <p>PROPRIETARY AND CONFIDENTIAL</p> <p>THE INFORMATION CONTAINED IN THIS DRAWING IS THE SOLE PROPERTY OF HARDWARE RESOURCES INC. ANY REPRODUCTION IN PART OR AS A WHOLE WITHOUT THE WRITTEN PERMISSION OF HARDWARE RESOURCES INC. IS PROHIBITED.</p>	ITEM:	LAJIJIAO		MATERIAL:	
	FINISH:			WEIGHT: 0.000 g	
	TOLERANCE UNLESS OTHERWISE SPECIFIED:			PROJECTION	
	UNITS: X ±0.00 XX ±0.10 XXX ±0.05 ANGULAR: ±0.5° DO NOT SCALE DRAWING	SIZE: SHEET:	DRAWN BY: <i>Hugo.cai</i> APPROVED BY:	DATE: 02-11-15 DATE: REVISION:	



<p>hardware resources</p> <p>PROPRIETARY AND CONFIDENTIAL</p> <p>THE INFORMATION CONTAINED IN THIS DRAWING IS THE SOLE PROPERTY OF HARDWARE RESOURCES INC. ANY REPRODUCTION IN PART OR AS A WHOLE WITHOUT THE WRITTEN PERMISSION OF HARDWARE RESOURCES INC. IS PROHIBITED.</p>	ITEM:	GUDINGBAN		MATERIAL:
	FINISH:			WEIGHT: 0.000 g
				PROJECTION
		UNITS:	DRAWN BY:	DATE:
	TOLERANCE UNLESS OTHERWISE SPECIFIED: X ±0.20 XX ±0.10 XXX ±0.05 ANGULAR: ±0.5°	SIZE:	APPROVED BY:	DATE: 02-11-15
DO NOT SCALE DRAWING	SHEET:	RELEASE LEVEL:	REVISION:	